

1

2

3

4

PRODUCT NUMBER

10072353-X01-XXXLF

PLATING
S = 0.38µm GOLD ON CONTACT AREA
2µm MIN MATTE TIN ON TAIL
OVER 1.27µm MIN NICKEL

G = 0.76µm GOLD ON CONTACT AREA
2µm MIN MATTE TIN ON TAIL
OVER 1.27µm MIN NICKEL

F = GOLD FLASH ON CONTACT AREA
2µm MIN MATTE TIN ON TAIL
OVER 1.27µm MIN NICKEL

RoHS COMPATIBLE
NOTE 6

PACKAGING
NOTE 5

NB OF POSITIONS PER ROW
02 TO 25 POS

NOTES:

- 1. MATERIAL HOUSING: HIGH TEMP. THERMOPLASTIC UL 94V-0, COLOR BLACK
- 2. MATERIAL TERMINAL: COPPER ALLOY
- 3. TO DETERMINE DIMENSIONS:
N = NUMBER OF POSITIONS PER ROW.
- 4. 7N MIN PIN RETENTION IN EITHER DIRECTION.
- 5. PACKAGING :
= PLASTIC BOX
U = TUBE AVAILABLE FROM 06 TO 50 POS
- 6. RoHS COMPATIBLE PRODUCT SPECIFICATIONS

a - PLATING

= 'LF' MEANS THE PRODUCT IS LEAD-FREE
2µm MINIMUM MATTE TIN OVER 1.27µm
MINIMUM NICKEL UNDERPLATE.

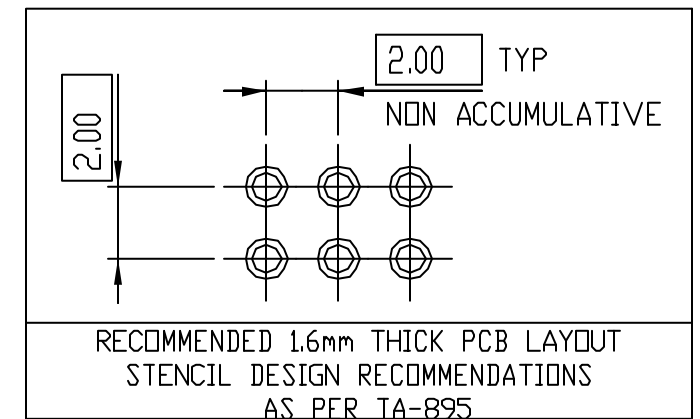
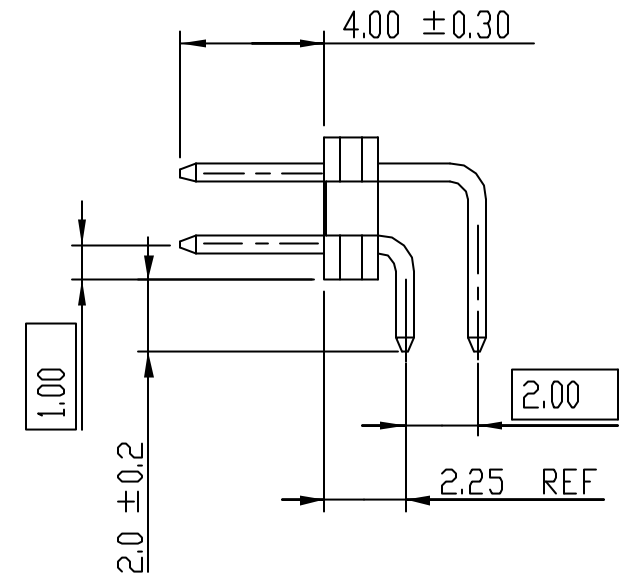
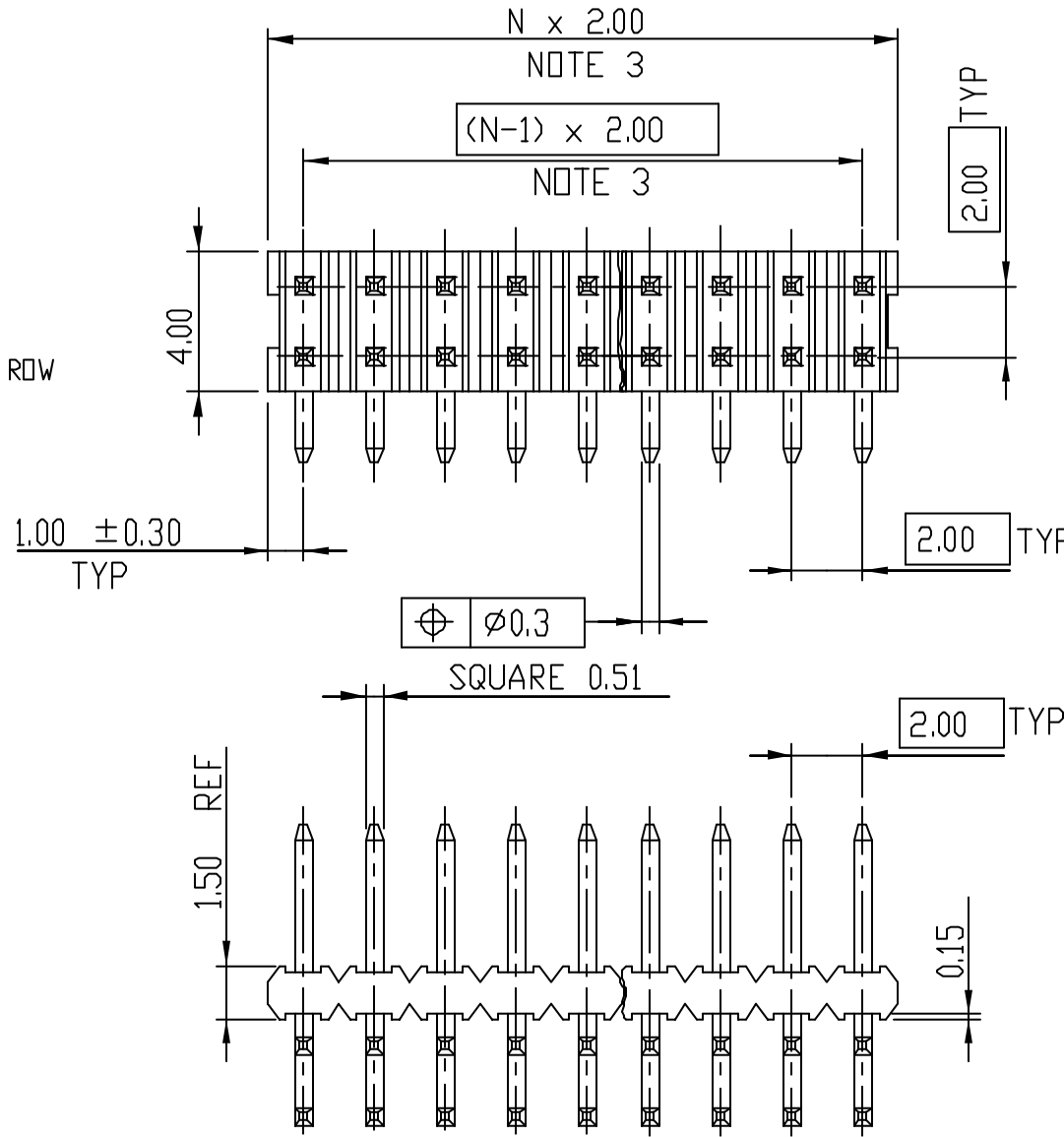
b - MANUFACTURING PROCESS COMPATIBILITY

- THE HOUSING WITHSTAND EXPOSURE TO
260°C PEAK TEMPERATURE FOR
30 SECONDS MAX IN A CONVECTION, INRA-RED
OR VAPOR PHASE OR REFLOW OVEN.

c - LABELLING:

- MEETS PACKAGING SPECS AS PER GS-14-920.

d - THIS PRODUCT MEETS EUROPEAN DIRECTIVES
AND OTHER COUNTRY REGULATIONS AS DESCRIBED
IN GS-22-008



rev	ecn no	dr	date
A	F06-0326	LMU	07.01.04
-	-	-	-
-	-	-	-
-	-	-	-
-	-	-	-
-	-	-	-

www.fciconnect.com			surface - ✓ ISO 1302	tolerance std ISO 406 ISO 1101	projection mm
			TOLERANCES UNLESS OTHERWISE SPECIFIED		size A3
Dr	L MULIN	06.09.14	ANGULAR	0.X ± 0.13	Scale 5:1
Eng	J COMPAGNON	06.09.14	LINEAR	0.XX ± 0.05	
Chr	-	-	0° ±2°	0.XXX ±-	ECN -
Appr	JM.C	06.09.14	Product family	Minitek	Spec ref -
FCI			title UNSHR HEADER		no 10072353
			RIGHT ANGLE PIP		Rev. A
			catalog no -		CUSTOMER Drawing sheet 1 of 1



Copyright FCI.

REV C - 2005-03-28

1

2

3

4