

**Solder Tail
Single Row**

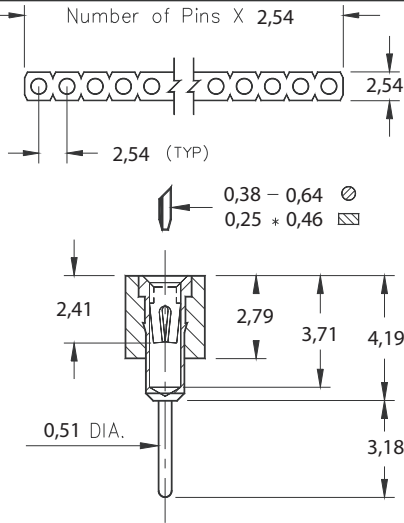


Fig. 1

- SIP sockets accept 0,38 - 0,64 diameter pins and standard IC leads.
- Various solder tails available: standard length, long for multi-layer boards, very low and ultra low profile. See Mill-Max #1001, 0134, 0501 or 1534 pins (pages 130, 131, 134) for details.
- Hi-Rel, 4-finger BeCu #12 & #30 clips rated at 3 amps. See pages 207 & 208 for details.

Ordering Information

Fig. 1	Series 310...001	Standard Solder Tail
	310-XX-1__-41-001000 Specify # of pins → 01-64	
Fig. 2	Series 311...001	Long Solder Tail
	311-XX-1__-41-001000 Specify # of pins → 01-64	
Fig. 3	Series 315...001	Very Low Profile
	315-XX-1__-41-001000 Specify # of pins → 01-64	
Fig. 4	Series 315...003	Ultra Low Profile
	315-XX-1__-41-003000 Specify # of pins → 01-64	

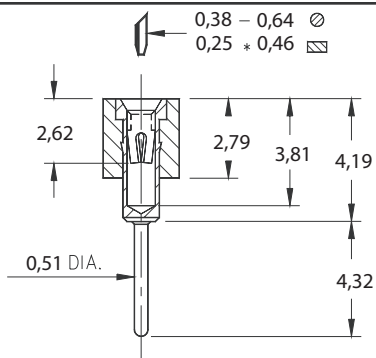


Fig. 2

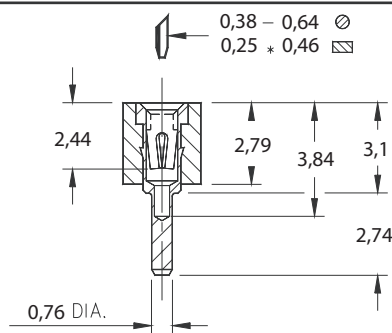


Fig. 3

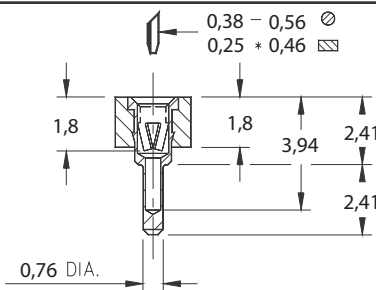


Fig. 4

**XX=Plating Code
See Below**

For RoHS compliance, select ◊ plating code. For the all gold option (XX=13) also change part number from 31X-XX-1XX-41-00X000 to 31X-13-1XX-41-00X100



SPECIFY PLATING CODE XX=	13 ◊	93	99	43 ◊	44 ◊
Sleeve (Pin)	0,25µm Au	5,08µm Sn/Pb	5,08µm Sn/Pb	5,08µm Sn	5,08µm Sn
Contact (Clip)	0,76µm Au	0,76µm Au	5,08µm Sn/Pb	0,76µm Au	5,08µm Sn