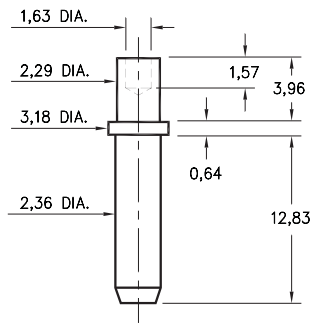
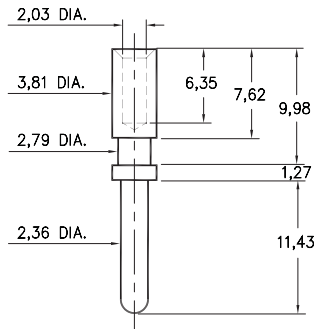


5231



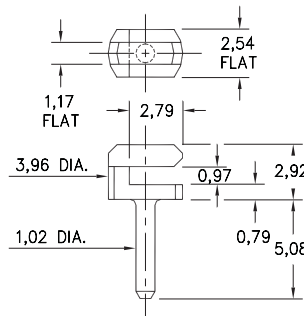
5231-0-00-XX-00-00-38-0
Swage mount in 2,39 hole.
For 3,18 thick board.

9092



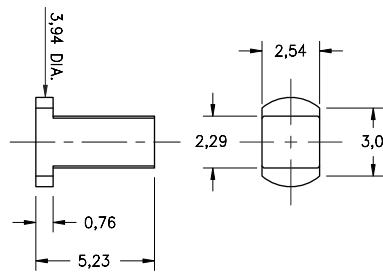
9092-0-00-XX-00-00-38-0
Wire Termination.

7310



7310-0-01-XX-00-00-08-0
Board edge press-fit

7937

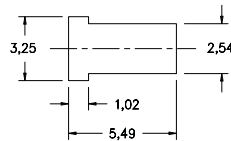


7937-0-00-15-00-00-03-0

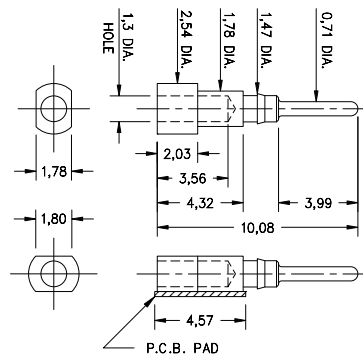
Target Contact, Horizontal surface mount
Also available on 16mm wide carrier
tape: 2,400 parts per 330mm reel.
Order as: 7937-0-58-15-00-00-03-0



P.C.B. Layout



1502

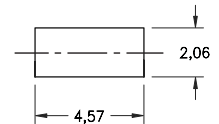


1502-0-00-XX-00-00-33-0

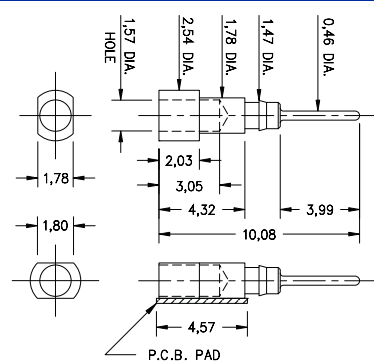
Press-fit in 1,45 mounting hole



P.C.B. Layout



5102



5102-0-00-XX-00-00-33-0

Press-fit in 1,45 mounting hole



P.C.B. Layout



SPECIFICATIONS

PIN MATERIAL:
Brass Alloy 360, 1/2 Hard
(Except Swage pins which
are annealed)

DIMENSION IN INCHES
TOLERANCES ON:
LENGTHS: ±0,13
DIAMETERS: ±0,05
ANGLES: ± 2°



ORDER CODE: XXXX - X - 0X - XX - 00 - 00 - XX - 0

BASIC PART #

SPECIFY PIN FINISH:

- 01 5,08µm TIN/LEAD OVER NICKEL
- ◇ 80 5,08µm TIN OVER NICKEL (RoHS)
- ◇ 15 0,25µm GOLD OVER NICKEL (RoHS)
- ◇ 21 0,51µm GOLD OVER NICKEL (RoHS)
- ◇ 34 1,27µm GOLD OVER NICKEL (RoHS)