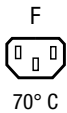


IEC Appliance Outlet F, mates to Felcom



Appliance outlet

**Description**

- Component:  
Snap-in version from front side
- 1 Function:  
Connector Protection class I
- For PCB mounting fits to Felcom

**Characteristics**

- Qualified for use in equipment according IEC/EN 60950

**References****Weblinks**

[pdf](#), [General Product Information](#), [Approvals](#), [RoHS](#), [CHINA-RoHS](#), [Mating Connectors](#), [e-Store](#), [SCHURTER-Stock-Check](#), [Distributor-Stock-Check](#), [Accessories](#)

**Technical Data**

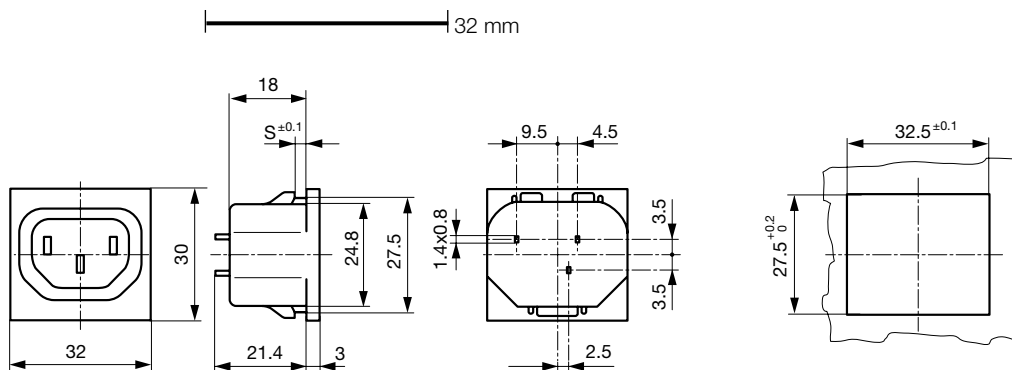
Ratings IEC	10A / 250VAC; 50Hz
Ratings UL/CSA	15A / 125/250VAC; 60Hz
Allowable Operation Temp.	-25 °C to 70 °C
Degree of Protection	from front side IP 40 acc. to IEC 60529
Protection Class	Suitable for appliances with protection class 1 acc. to IEC 61140
Terminal	For PCB mounting
Panel Thickness s	Snap-in: 1/1.2/1.5/2/2.5/3 mm
Material: Housing	Thermoplastic, black, UL 94V-0

**Appliance Outlet**

F acc. to IEC/EN 60320-2-2, UL 498, CSA C22.2 no. 42 (for cold conditions) pin-temperature 70 °C, 10A, Protection Class 1

**Dimensions**

Appliance outlet

**Variants**

Type	Panel Thickness s [mm]	Line Switch	Fuseholder	Inlet	Outlet	Order Number
Outlet	1	-	-	-	F	6650.4510
Outlet	1.2	-	-	-	F	6650.4512
Outlet	1.5	-	-	-	F	6650.4515
Outlet	2	-	-	-	F	6650.4520
Outlet	2.5	-	-	-	F	6650.4525
Outlet	3	-	-	-	F	6650.4530

**Packaging unit**

50 Pcs

## Mating Inlets/Plugs

## Category / Description

[Interconnection Cord Overview complete](#)

Interconnection Cord with IEC Plug E, Angled	0607
Interconnection Cord with IEC Plug E, Angled	0608
Interconnection Cord with IEC Plug E, Straight	0609
Interconnection Cord with IEC Plug G, Angled	607B
Interconnection Cord with IEC Plug G, Angled	608B
<a href="#">Interconnection Cord further types to 6650</a>	...

[Plug Overview complete](#)

IEC Plug E, Cord Connector (Rewireable), Straight, max. cable Diameter 8.5 mm	4732
IEC Plug E, Cord Connector (Rewireable), Angled, max. Cable Diameter 10 mm	4733
IEC Plug E, Cord Connector (Rewireable), Straight, max. Cable Diameter 10 mm	4735
IEC Plug E, Cord Connector (Rewireable), Angled, max. Cable Diameter 10 mm	4736
IEC Plug E, Cord Connector (Rewireable), Straight	9009
<a href="#">Plug further types to 6650</a>	...