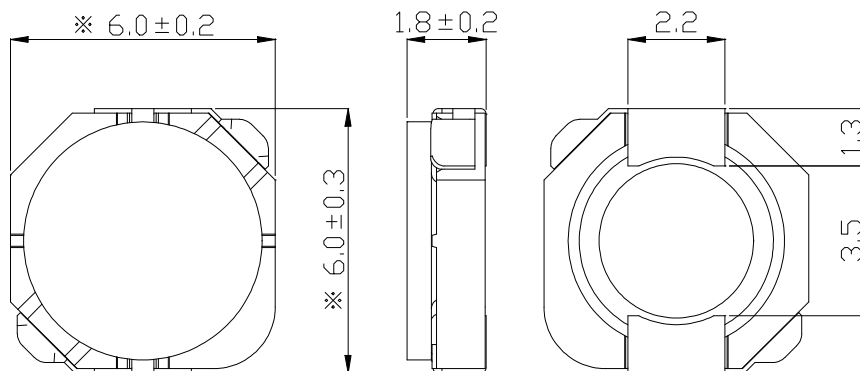
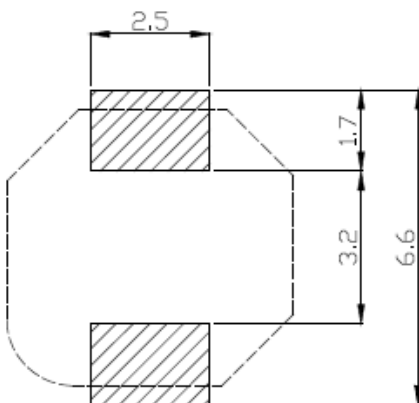
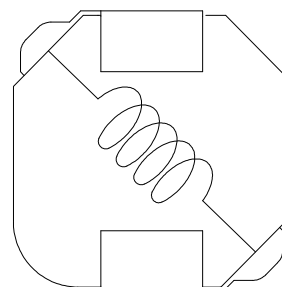


Type: CDRH5D18C
◆ Product Description

- 6.3×6.2mm Max. (L×W). 2.0mm Max. Height.
- Inductance range: 1.0~47.0 μ H.
- Rated current range: 0.6~3.8A.
- Custom design is available.


◆ Feature

- Magnetically shielded construction.
- Storage temperature range: -40°C~+105°C.
- Operating temperature range: -40°C~+105°C (Including coil's self temperature rise).
- Ideally used in MP3, PDA, HDD, DSC/DVC, Notebook PC etc as DC-DC converter inductors.
- RoHS compliance and Halogen Free.

◆ Dimensions (mm)

◆ Land Pattern (mm)

◆ Schematics (Bottom)


Type: CDRH5D18C
◆ Specification

Part Name ※	Stamp	Inductance (μ H) 100kHz/1V	D.C.R. (m Ω) Max. (Typ.) (at 20°C)	Saturation Current (A) ※1		Temperature Rise Current (A) ※2
				at 20°C	at 105°C	
CDRH5D18CNP-1R0M□	1R0	1.0 \pm 20%	21.0(16.8)	4.16	3.28	3.80
CDRH5D18CNP-1R5M□	1R5	1.5 \pm 20%	25.6(20.5)	3.36	2.70	3.50
CDRH5D18CNP-2R0M□	2R0	2.0 \pm 20%	32.7(26.1)	2.90	2.30	3.00
CDRH5D18CNP-3R3M□	3R3	3.3 \pm 20%	48.3(38.7)	2.30	1.84	2.50
CDRH5D18CNP-4R7M□	4R7	4.7 \pm 20%	60.4(48.3)	2.00	1.60	2.20
CDRH5D18CNP-5R6M□	5R6	5.6 \pm 20%	77.9(62.3)	1.76	1.44	1.90
CDRH5D18CNP-6R8M□	6R8	6.8 \pm 20%	86.0(68.8)	1.68	1.36	1.80
CDRH5D18CNP-8R2M□	8R2	8.2 \pm 20%	110.2(88.1)	1.44	1.16	1.50
CDRH5D18CNP-100M□	100	10 \pm 20%	132.0(105.6)	1.30	1.08	1.40
CDRH5D18CNP-120M□	120	12 \pm 20%	165.0(132.0)	1.20	0.96	1.25
CDRH5D18CNP-150M□	150	15 \pm 20%	197.8(158.2)	1.10	0.88	1.15
CDRH5D18CNP-220M□	220	22 \pm 20%	290.4(232.3)	0.92	0.72	0.95
CDRH5D18CNP-330M□	330	33 \pm 20%	430.9(344.7)	0.72	0.60	0.75
CDRH5D18CNP-470M□	470	47 \pm 20%	605.4(484.1)	0.62	0.50	0.60

※ Description of part name

CDRH5D18CNP-1R0M□

- B Box
- C Carrier Tape

※1. Saturation current: The DC current at which the inductance decreases to 70% of its nominal value.

 ※2. Temperature rise current: The DC current at which the temperature rise is $\Delta t=40^{\circ}\text{C}$ ($T_a=20^{\circ}\text{C}$).