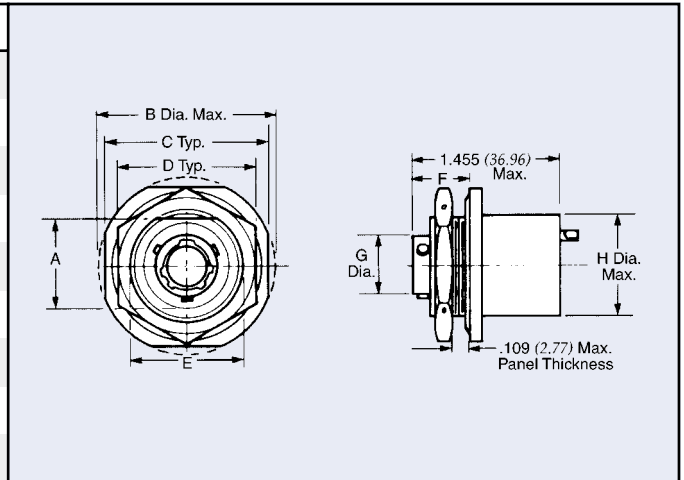


MIL-C-38999, Extended Shell Series II

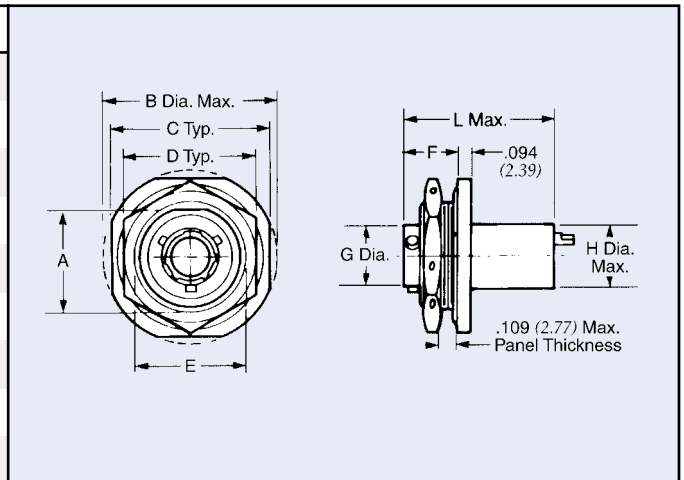
MS27477 Hermetic Jam Nut Receptacle

Shell Size	A	B	C	D	E	F	G	H
8	.830 (21.08)	1.390 (35.31)	1.250 (31.75)	1.062 (26.97)	.884 (22.45)	.438 (11.13)	.473 (12.01)	.435 (11.05)
10	.955 (24.26)	1.515 (38.48)	1.375 (34.93)	1.188 (30.18)	1.007 (25.58)	.438 (11.13)	.590 (14.99)	.525 (13.34)
12	1.084 (27.53)	1.640 (41.66)	1.500 (38.10)	1.312 (33.32)	1.134 (28.80)	.438 (11.13)	.750 (19.05)	.665 (16.89)
14	1.208 (30.68)	1.765 (44.83)	1.625 (41.28)	1.438 (36.53)	1.259 (31.98)	.438 (11.13)	.875 (22.23)	.785 (19.94)
16	1.333 (33.86)	1.953 (49.61)	1.781 (45.24)	1.562 (39.67)	1.384 (35.15)	.438 (11.13)	1.000 (25.40)	.915 (23.24)
18	1.459 (37.06)	2.031 (51.59)	1.890 (48.01)	1.688 (42.88)	1.507 (38.28)	.438 (11.13)	1.125 (28.50)	.985 (25.02)
20	1.576 (40.03)	2.156 (54.76)	2.016 (51.21)	1.812 (46.02)	1.634 (41.50)	.464 (11.79)	1.250 (31.75)	1.135 (28.83)
22	1.701 (43.21)	2.280 (57.91)	2.140 (54.31)	2.000 (50.80)	1.759 (44.68)	.464 (11.79)	1.375 (34.93)	1.255 (31.88)
24	1.826 (46.38)	2.405 (61.09)	2.265 (57.53)	2.125 (53.98)	1.884 (47.85)	.464 (11.79)	1.500 (38.10)	1.385 (35.18)



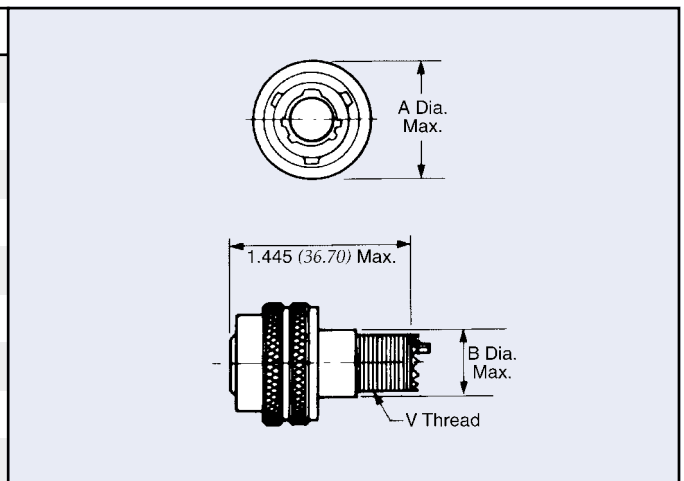
MS27474 Jam Nut Receptacle

Shell Size	A	B	C	D	E	F	G	H	L
8	.830 (21.08)	1.390 (35.31)	1.250 (31.75)	1.062 (26.97)	.884 (22.45)	.438 (11.13)	.473 (12.01)	.515 (13.08)	1.370 (34.80)
10	.955 (24.26)	1.515 (38.48)	1.375 (34.93)	1.188 (30.18)	1.007 (25.58)	.438 (11.13)	.590 (14.99)	.640 (16.26)	1.370 (34.80)
12	1.084 (27.53)	1.640 (41.66)	1.500 (38.10)	1.312 (33.32)	1.134 (28.80)	.438 (11.13)	.750 (19.05)	.765 (19.43)	1.370 (34.80)
14	1.208 (30.68)	1.765 (44.83)	1.625 (41.28)	1.438 (36.53)	1.259 (31.98)	.438 (11.13)	.875 (22.23)	.890 (22.61)	1.370 (34.80)
16	1.333 (33.86)	1.953 (49.61)	1.781 (45.24)	1.562 (39.67)	1.384 (35.15)	.438 (11.13)	1.000 (25.40)	1.015 (25.78)	1.370 (34.80)
18	1.459 (37.06)	2.031 (51.59)	1.890 (48.01)	1.688 (42.88)	1.507 (38.28)	.438 (11.13)	1.125 (28.58)	1.140 (28.96)	1.370 (34.80)
20	1.576 (40.03)	2.156 (54.76)	2.016 (51.21)	1.812 (46.02)	1.634 (41.50)	.464 (11.79)	1.250 (31.75)	1.265 (32.13)	1.395 (35.43)
22	1.701 (43.21)	2.280 (57.91)	2.140 (54.36)	2.000 (50.80)	1.759 (44.68)	.464 (11.79)	1.375 (34.93)	1.390 (35.31)	1.395 (35.43)
24	1.826 (46.38)	2.405 (61.09)	2.265 (57.53)	2.125 (53.98)	1.884 (47.85)	.464 (11.79)	1.500 (38.10)	1.515 (38.48)	1.395 (35.43)



MS27484 Straight Plug

Shell Size	A	B	V Thread Modified Class 2-A	Modified Major Dia.
8	.734 (18.64)	.540 (13.72)	.4375-28 UNEF	.421-.417
10	.844 (21.44)	.660 (16.76)	.5625-24 UNEF	.542-.538
12	1.016 (25.81)	.785 (19.94)	.6875-24 UNEF	.667-.663
14	1.141 (28.98)	.915 (23.24)	.8125-20 UNEF	.791-.787
16	1.265 (32.13)	1.025 (26.04)	.9375-20 UNEF	.916-.912
18	1.391 (35.33)	1.145 (29.08)	1.0625-18 UNEF	1.034-1.030
20	1.500 (38.10)	1.270 (32.26)	1.875-18 UNEF	1.158-1.154
22	1.625 (41.28)	1.395 (35.43)	1.3125-18 UNEF	1.283-1.279
24	1.750 (44.45)	1.520 (38.61)	1.4375-18 UNEF	1.408-1.404



Dimensions in inches (mm)