

Micro-D Style Signal Connectors

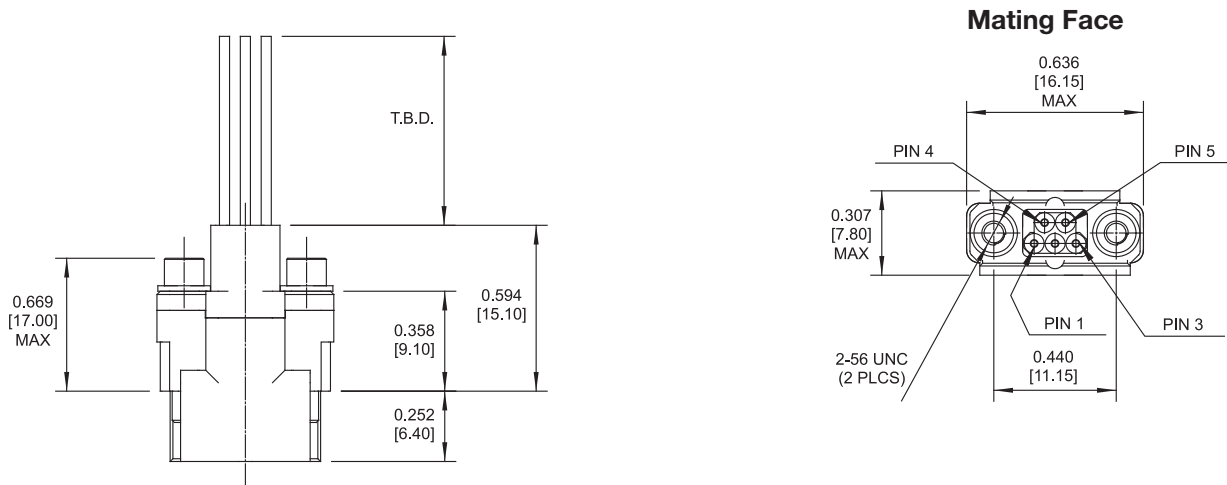
- High-density signal flying-lead top printed circuit board connector (0.078 x 0.078 [1.91 x 1.91] pitch)
- Large number of pin count options: 5, 9, 15, 21, 25, 31, 37 and 51 contact configurations
- Qualified at a system level on JSF
- Light weight, drop-in replacement for standard Micro-D connectors
- High reliability contacts
- Environmentally sealed
- Rugged design including pin connector shrouds and scoop proof features
- Assembly aids including termination combs and potting shrouds

General Specifications	
Insulator Material	Polyphenylene sulphide
Contact Material	Copper alloy
Socket Wire Material	Beryllium copper
Guides	Stainless steel
Contact Plating	MIL-G-45204 gold plate
Contact Diameter	0.60mm
Contact Resistance	7 milliohms max.
Current Rating	4 Amps
Insulation Resistance	5 Gigohms min. at 500 VDC
Mechanical Endurance	2000 operations min.
Contact Mating Force	1.0 oz. (average)
Withdrawal Force	1.5 oz. nominal per contact
Temperature Range	-55° to 125° C
Voltage Rating	170 VDC or AC peak nominal
Proof Voltage	800V minimum
Breakdown Voltage Between Contacts	1400 VAC (min.)
Dielectric Withstanding Voltage	1000 VAC (min.)

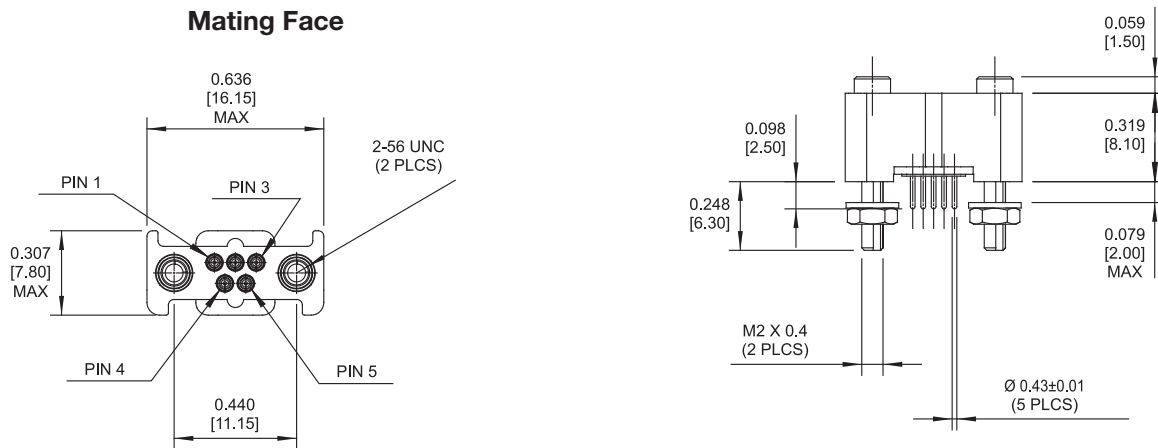
Dimensions are in inches [mm]

5 Contact Connectors

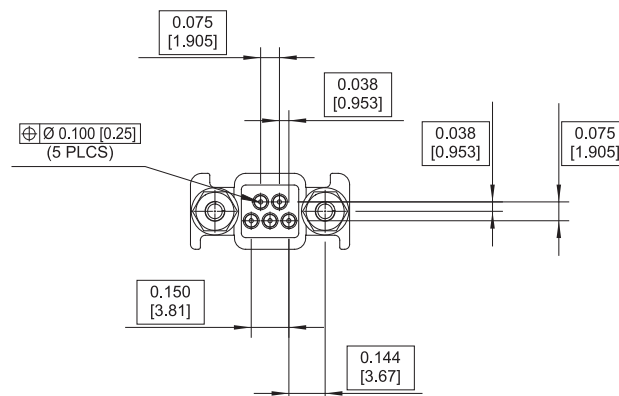
Male Half



Female Half



Termination Face

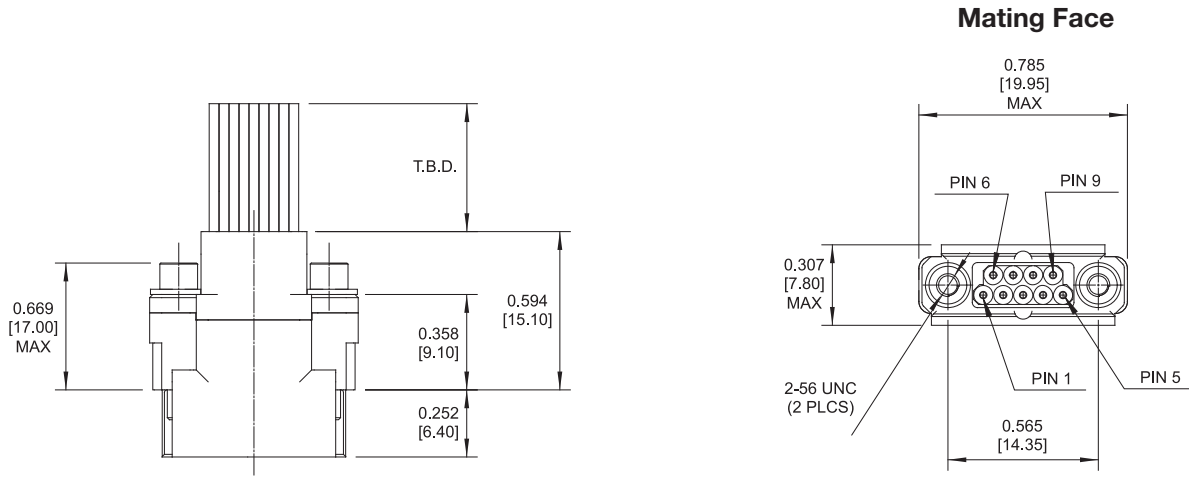


NOTE:
 1) T.B.D.: Wire length to be determined based on customer requirements.
 If not specified, standard 300mm wire length will be used.

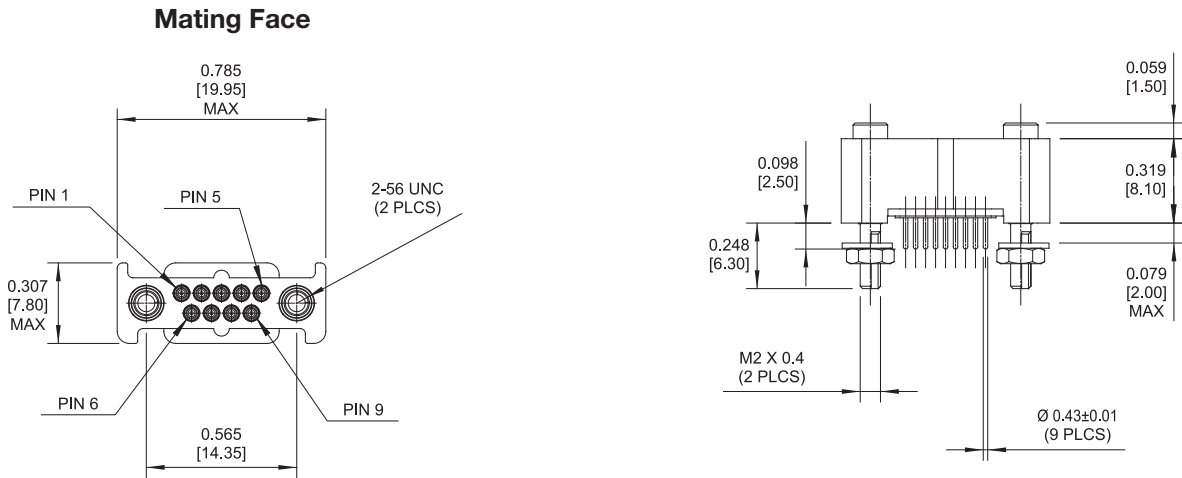
Dimensions are in inches [mm]

9 Contact Connectors

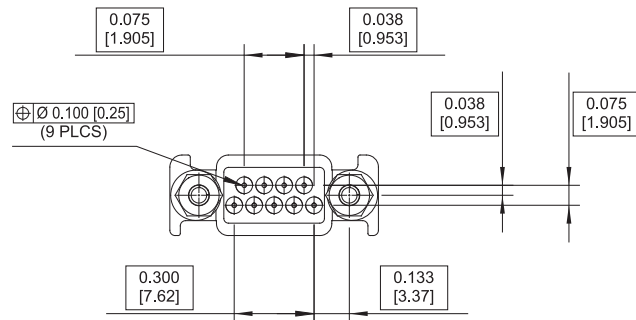
Male Half



Female Half



Termination Face



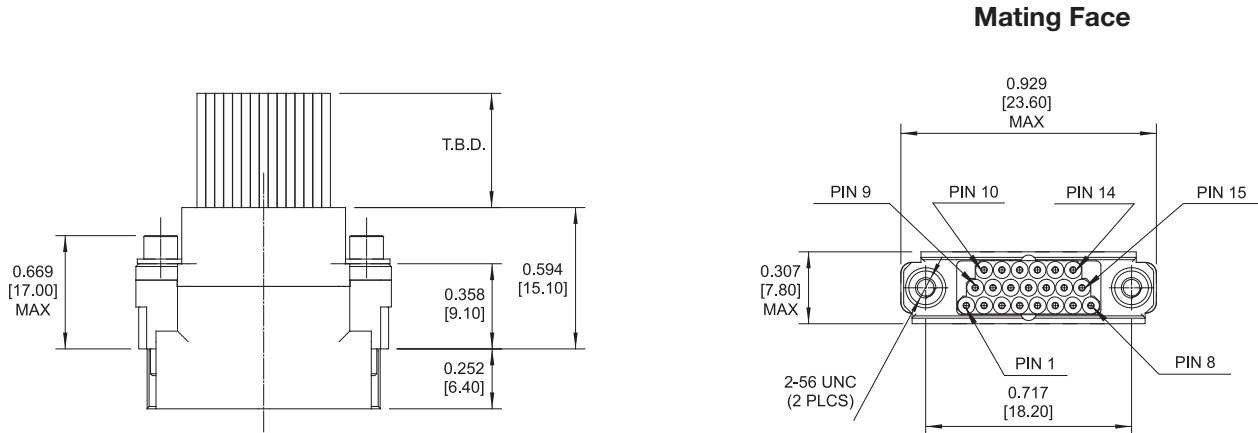
NOTE:

1) T.B.D.: Wire length to be determined based on customer requirements.
If not specified, standard 300mm wire length will be used.

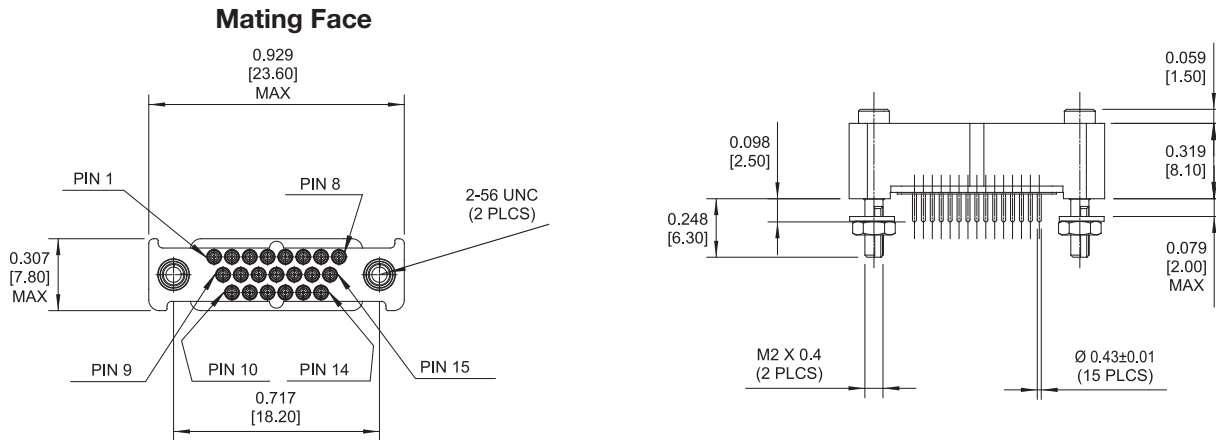
Dimensions are in inches [mm]

15 Contact Connectors

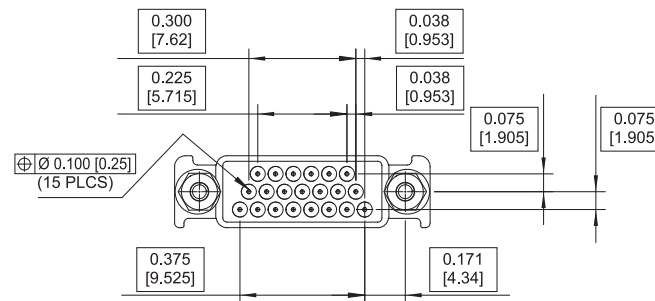
Male Half



Female Half



Termination Face

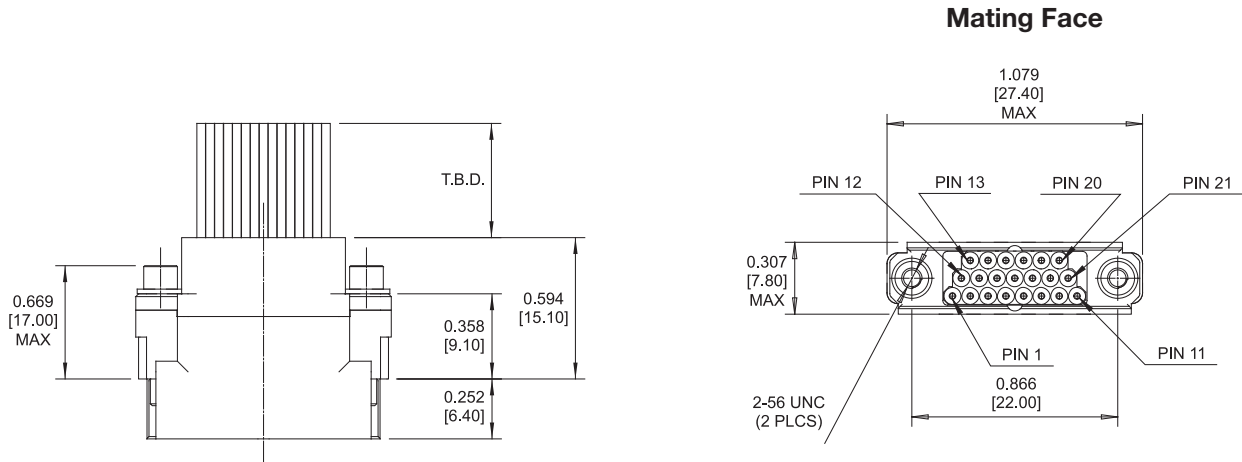


NOTE:
 1) T.B.D.: Wire length to be determined based on customer requirements.
 If not specified, standard 300mm wire length will be used.

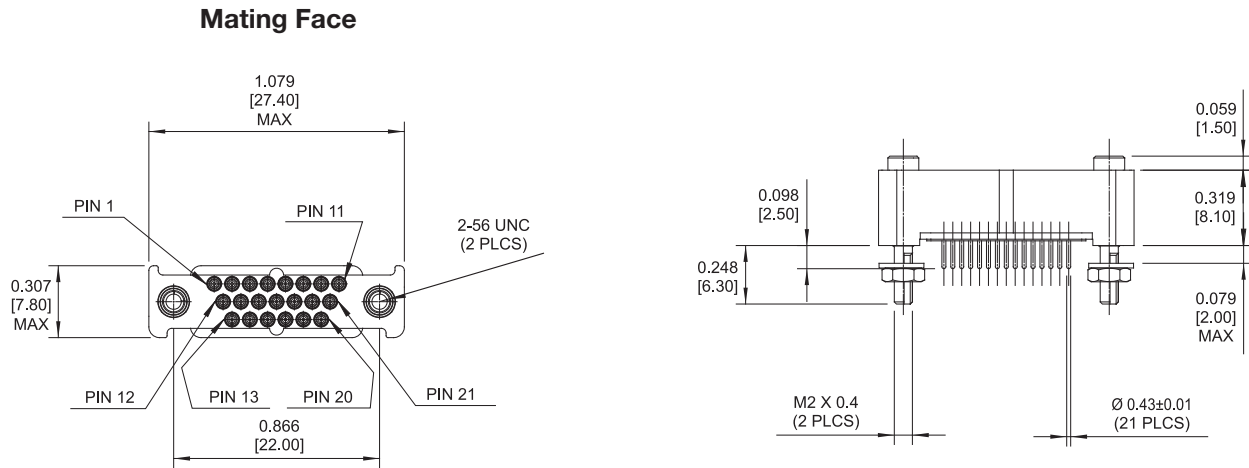
Dimensions are in inches [mm]

21 Contact Connectors

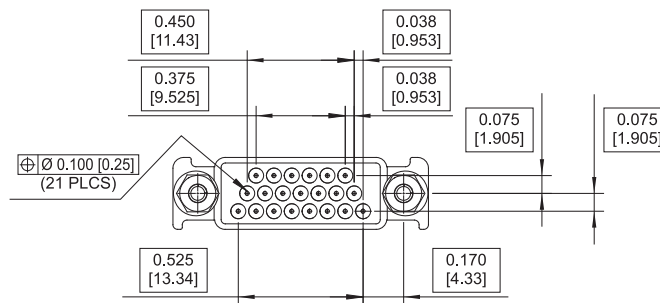
Male Half



Female Half



Termination Face



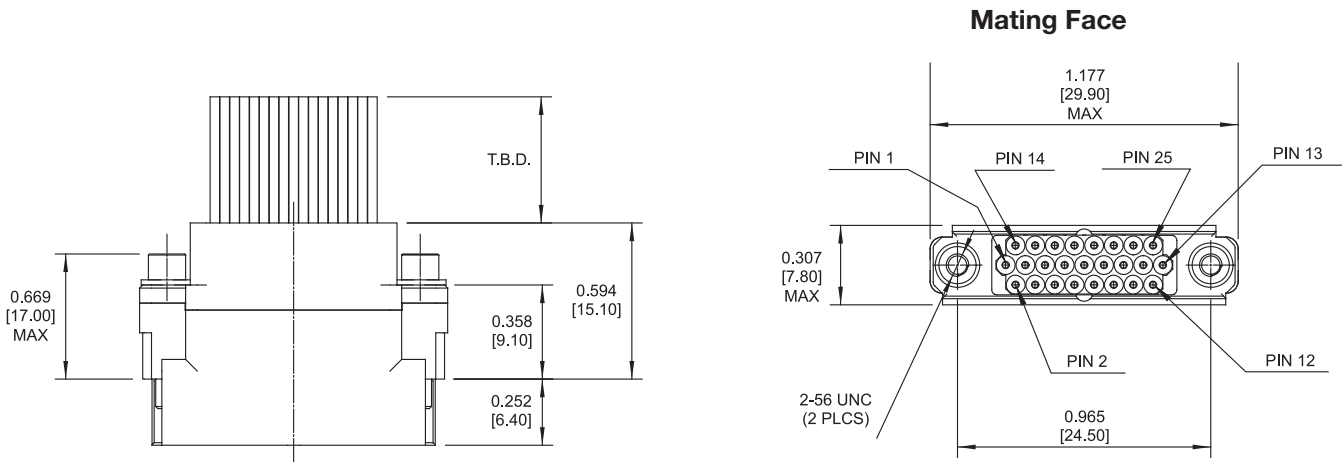
NOTE:

- 1) T.B.D.: Wire length to be determined based on customer requirements. If not specified, standard 300mm wire length will be used.

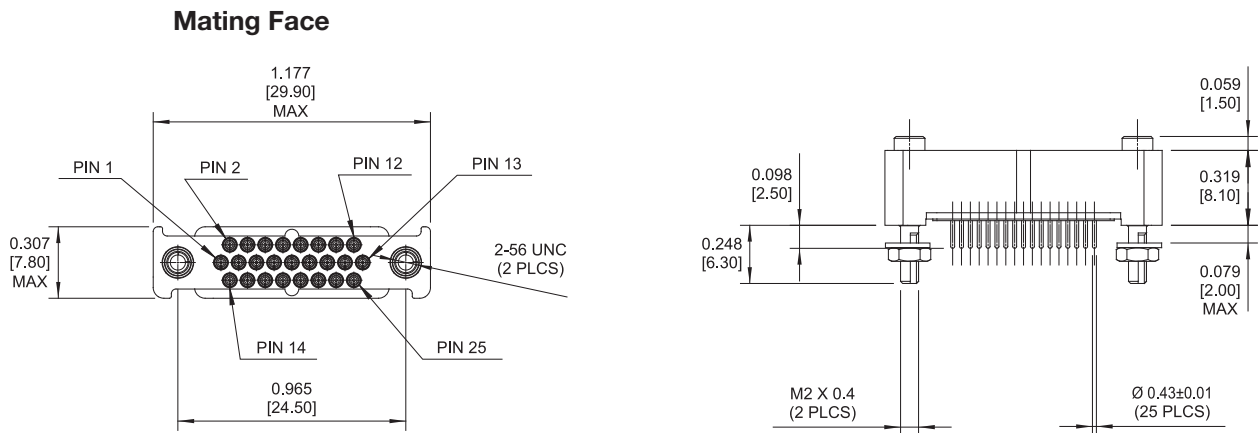
Dimensions are in inches [mm]

25 Contact Connectors

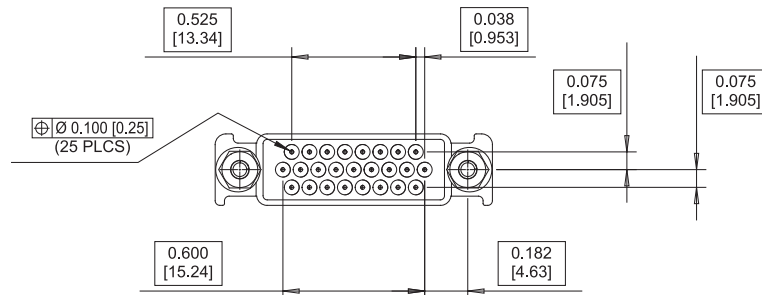
Male Half



Female Half



Termination Face



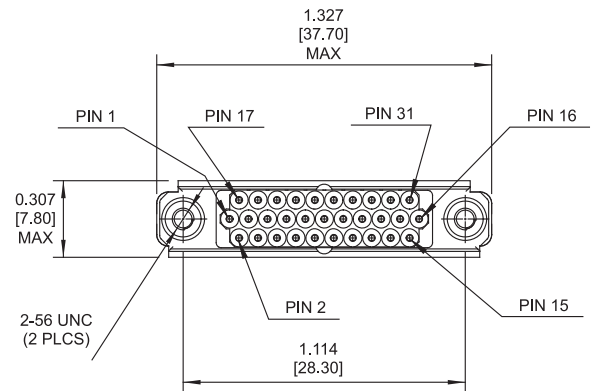
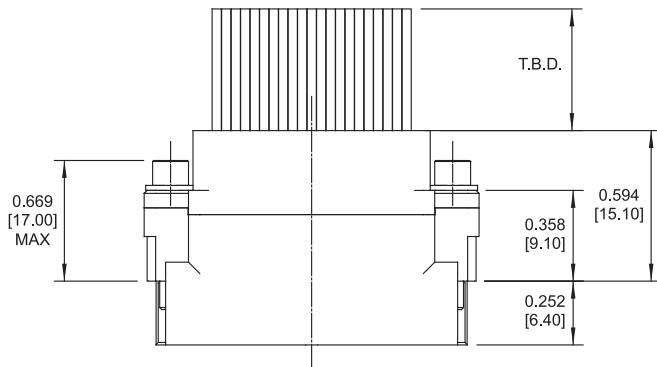
NOTE:
 1) T.B.D.: Wire length to be determined based on customer requirements.
 If not specified, standard 300mm wire length will be used.

Dimensions are in inches [mm]

31 Contact Connectors

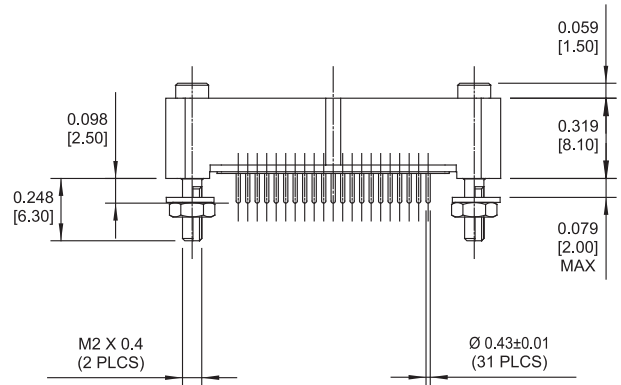
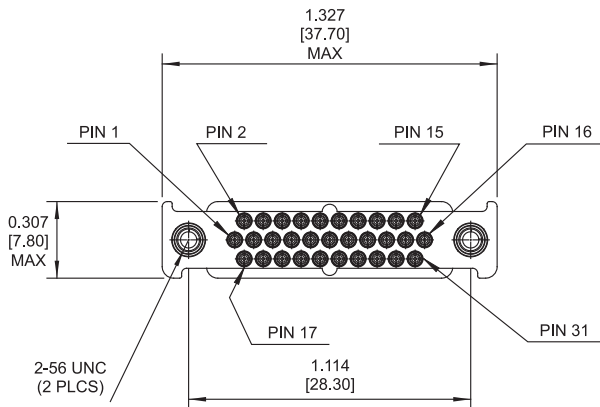
Male Half

Mating Face

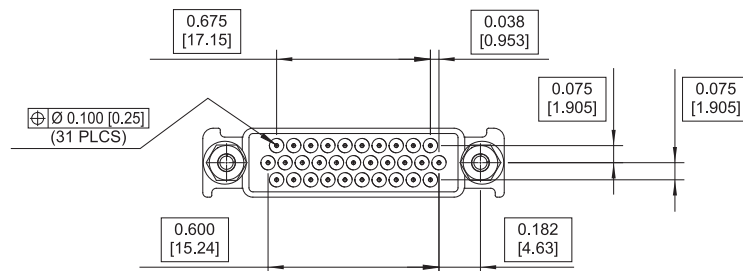


Female Half

Mating Face



Termination Face

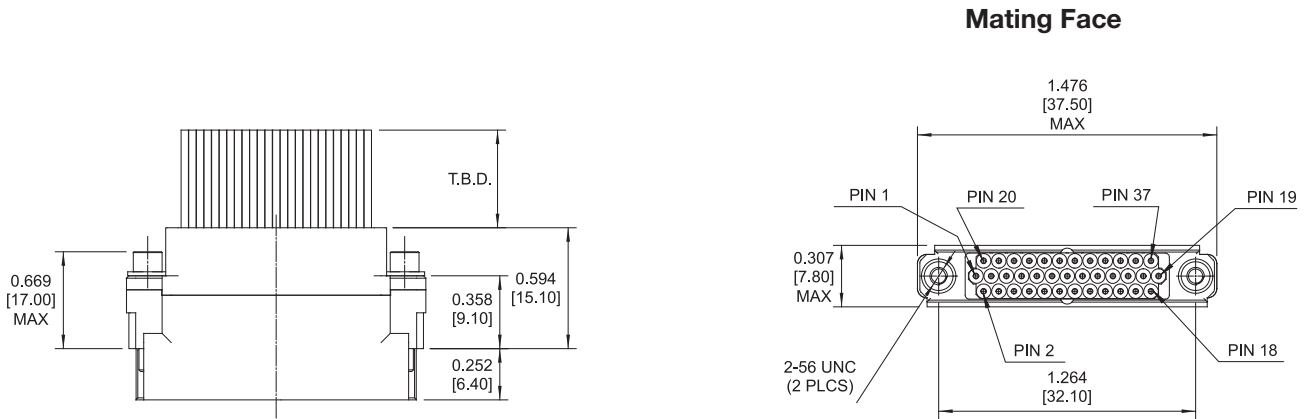


NOTE:
1) T.B.D.: Wire length to be determined based on customer requirements.
If not specified, standard 300mm wire length will be used.

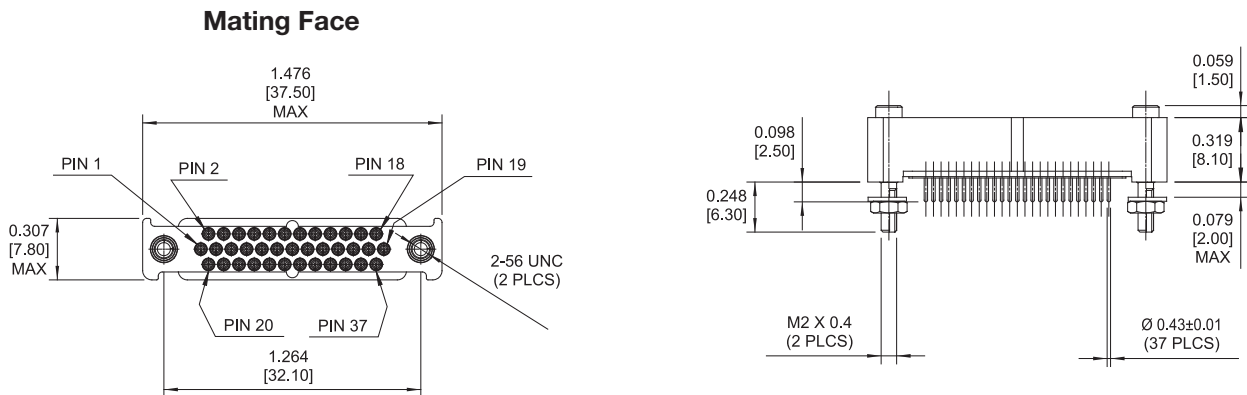
Dimensions are in inches [mm]

37 Contact Connectors

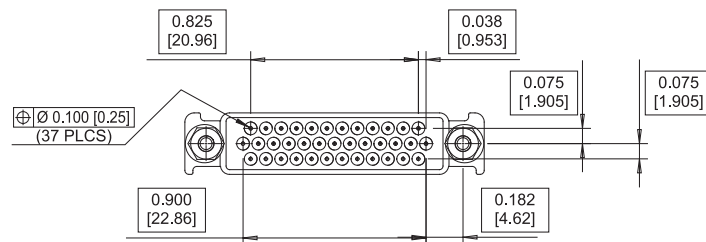
Male Half



Female Half



Termination Face



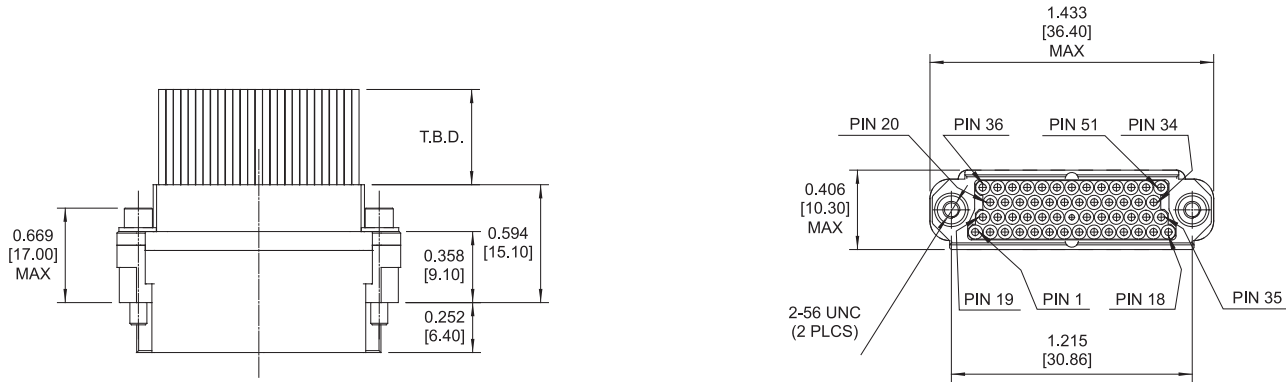
NOTE:
 1) T.B.D.: Wire length to be determined based on customer requirements.
 If not specified, standard 300mm wire length will be used.

Dimensions are in inches [mm]

51 Contact Connectors

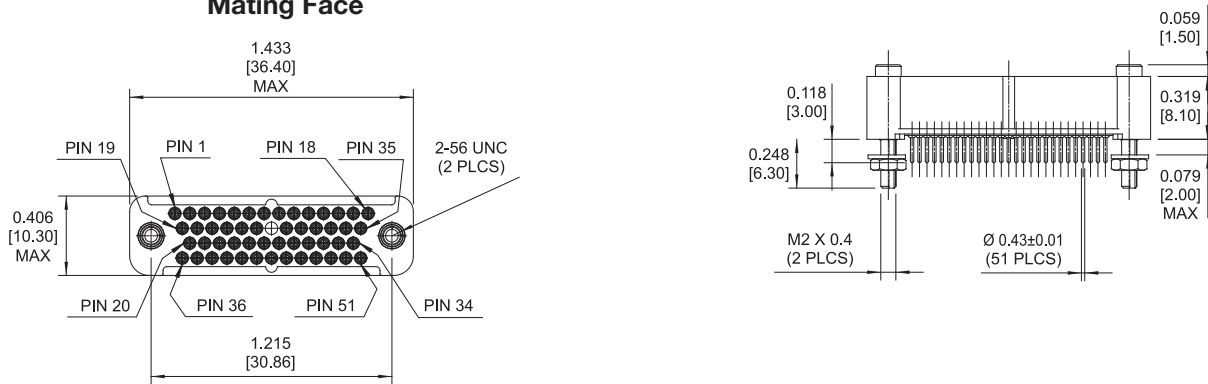
Male Half

Mating Face

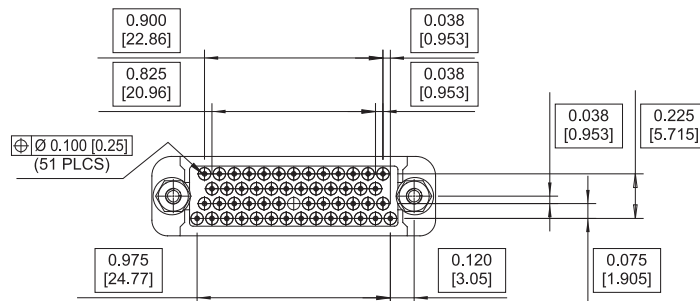


Female Half

Mating Face



Termination Face



NOTE:

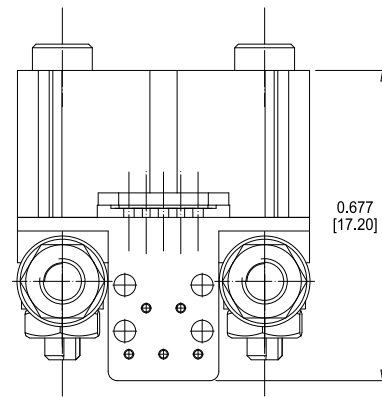
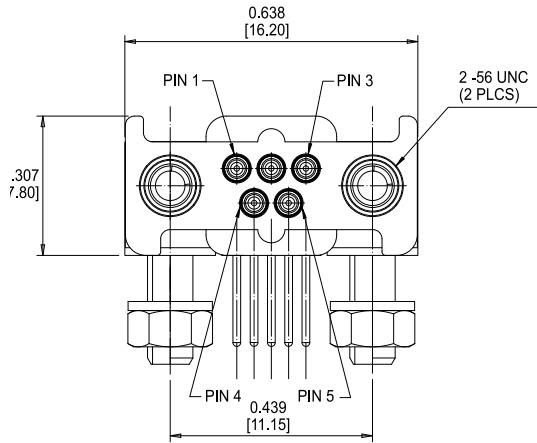
1) T.B.D.: Wire length to be determined based on customer requirements.
If not specified, standard 300mm wire length will be used.

Dimensions are in inches [mm]

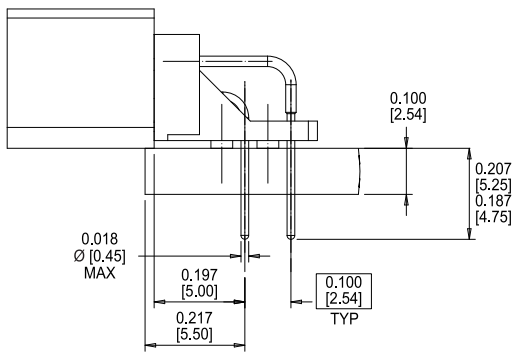
90° Female Printed Circuit Board Connectors

5 Contacts

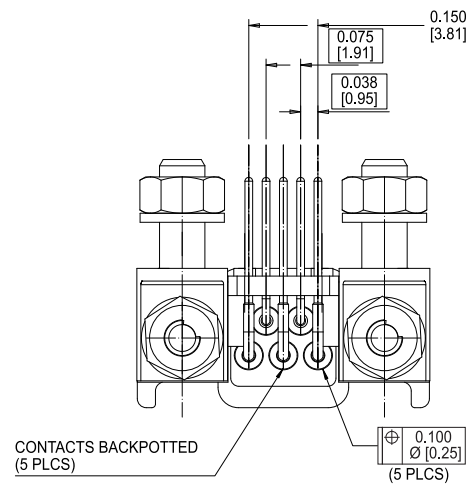
Mating Face



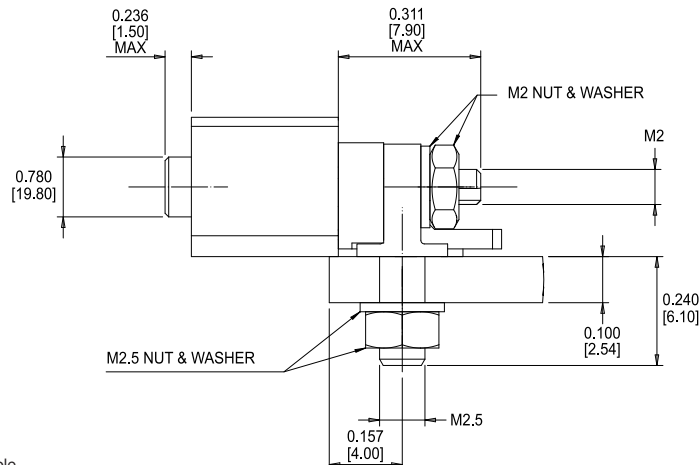
Termination Detail



Termination Face



Mounting Detail



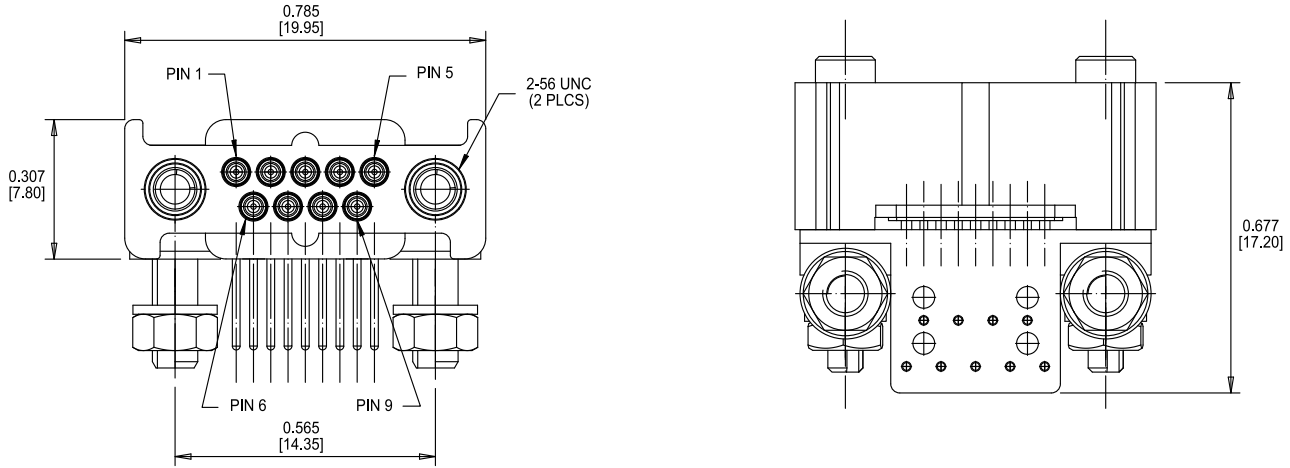
- NOTE:**
- 90° male connectors are not yet available.
 - 90° female connectors mate with current offering of male connectors.
 - 90° female drawings are not to scale.

Dimensions are in inches [mm]

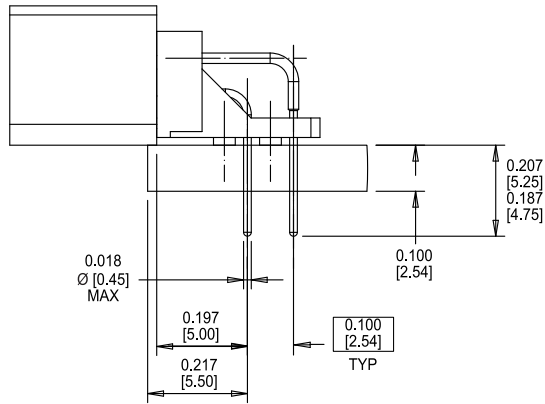
90° Female Printed Circuit Board Connectors

9 Contacts

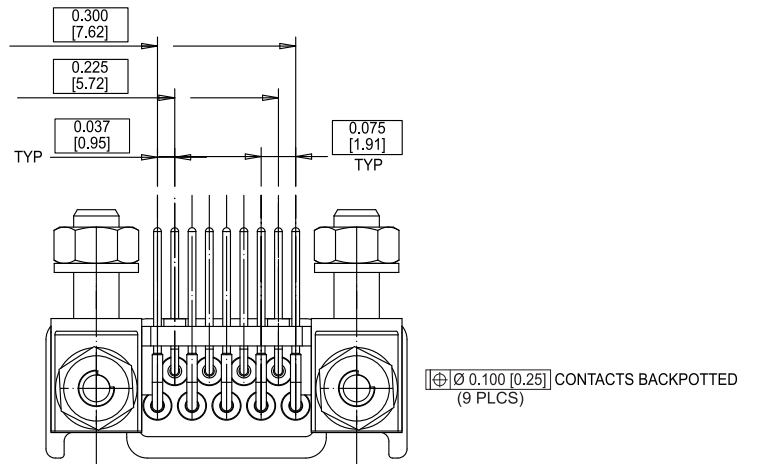
Mating Face



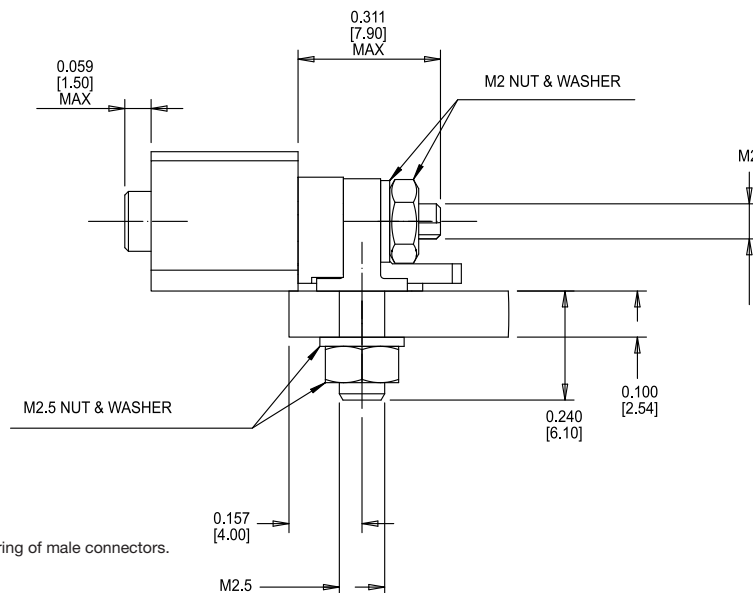
Termination Detail



Termination Face



Mounting Detail



NOTE:

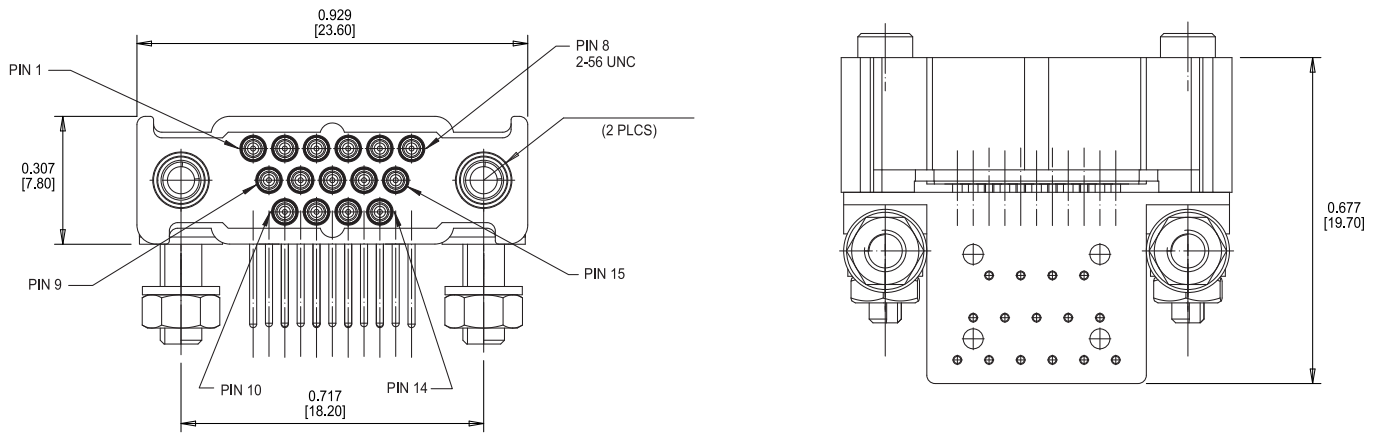
- 1) 90° male connectors are not yet available.
- 90° female connectors mate with current offering of male connectors.
- 2) 90° female drawings are not to scale.

Dimensions are in inches [mm]

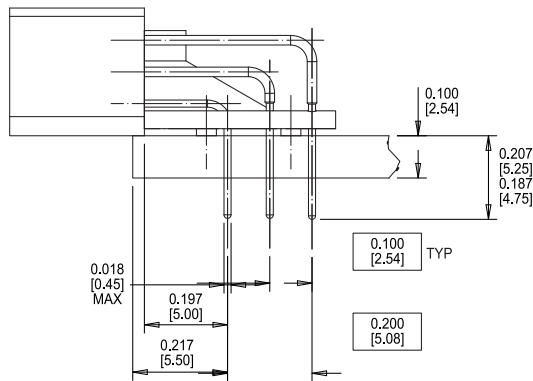
90° Female Printed Circuit Board Connectors

15 Contacts

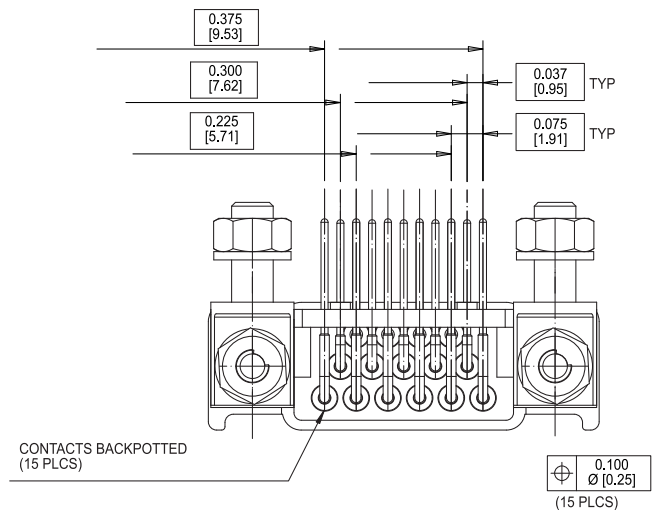
Mating Face



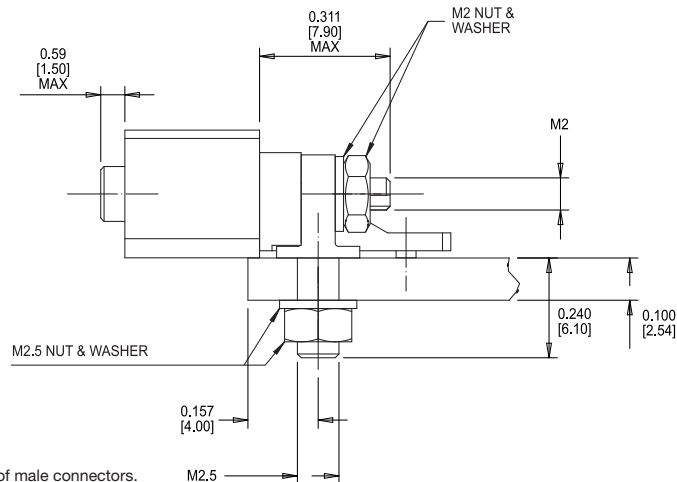
Termination Detail



Termination Face



Mounting Detail

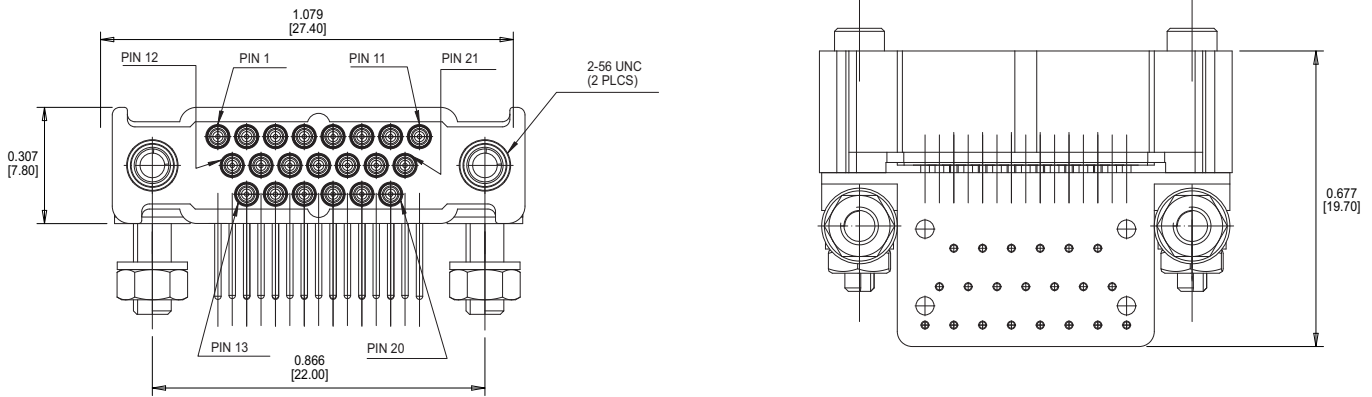


NOTE:
 1) 90° male connectors are not yet available.
 2) 90° female connectors mate with current offering of male connectors.
 3) 90° female drawings are not to scale.

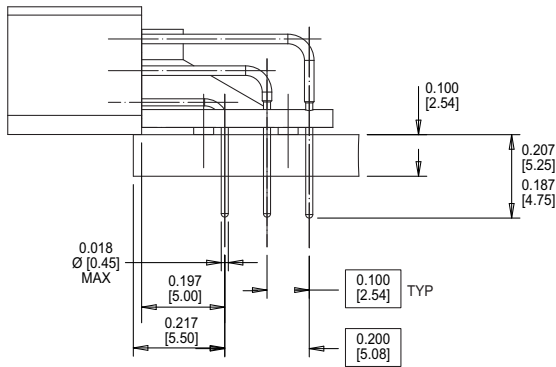
Dimensions are in inches [mm]

90° Female Printed Circuit Board Connectors 21 Contacts

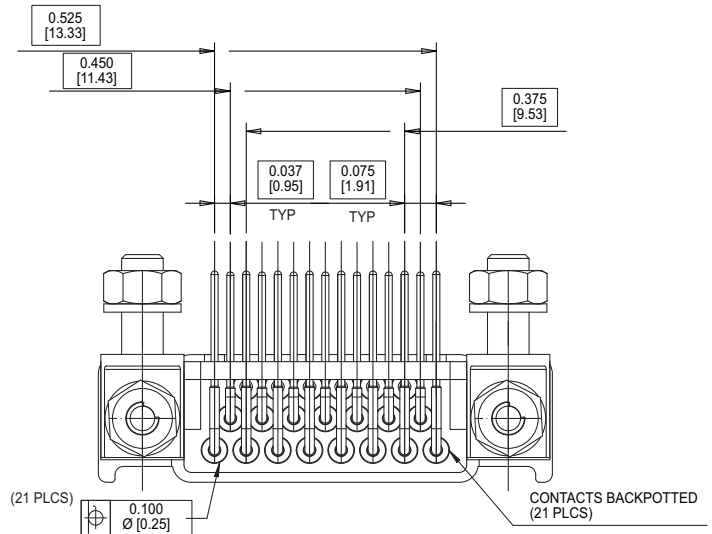
Mating Face



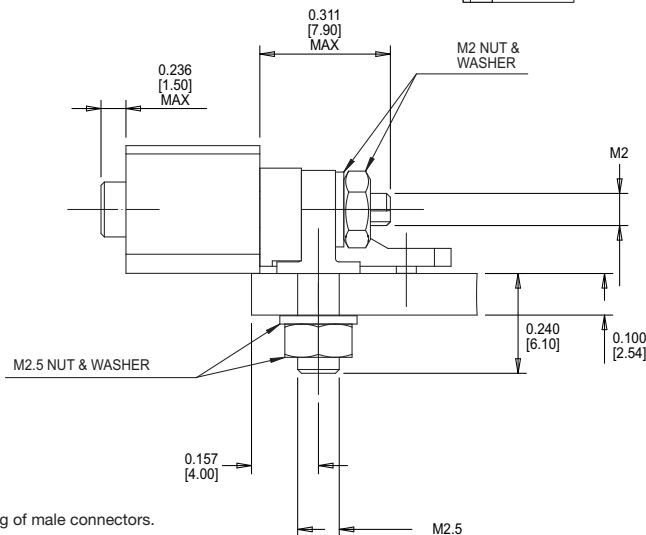
Termination Detail



Termination Face



Mounting Detail



NOTE:

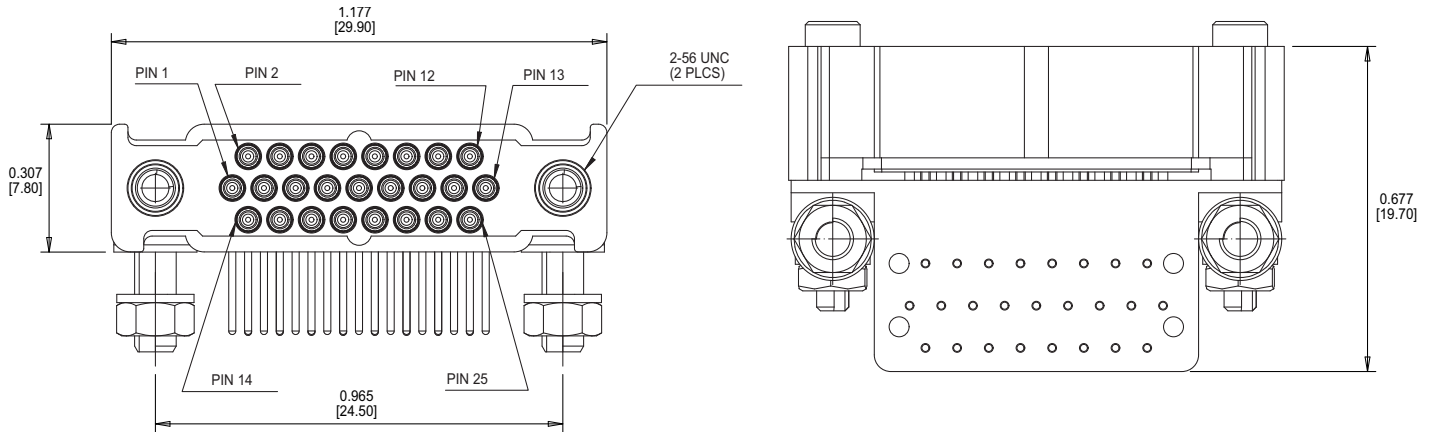
- 1) 90° male connectors are not yet available.
- 90° female connectors mate with current offering of male connectors.
- 2) 90° female drawings are not to scale.

Dimensions are in inches [mm]

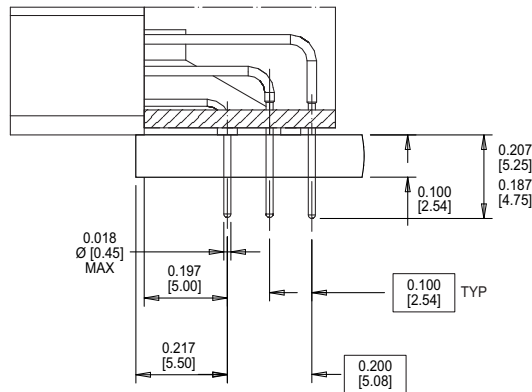
90° Female Printed Circuit Board Connectors

25 Contacts

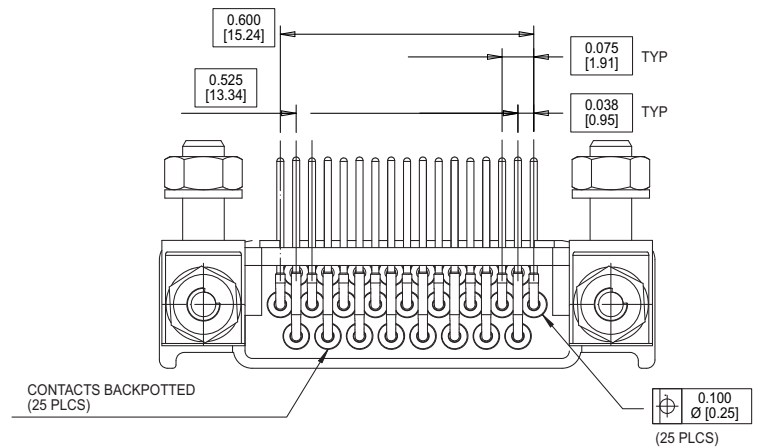
Mating Face



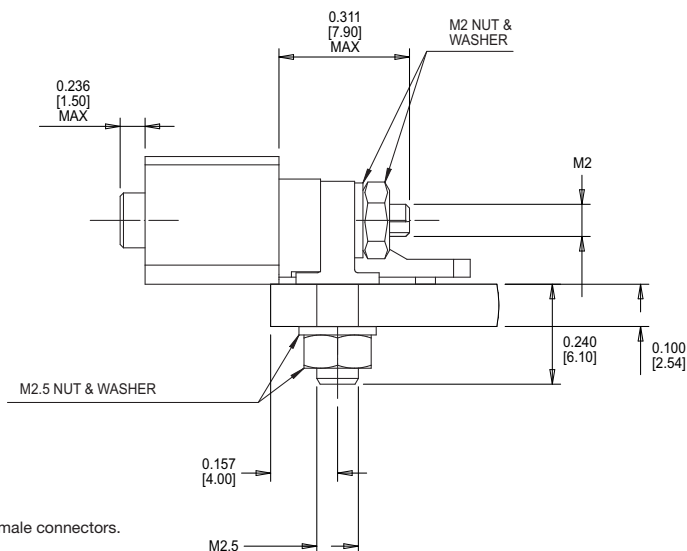
Termination Detail



Termination Face



Mounting Detail

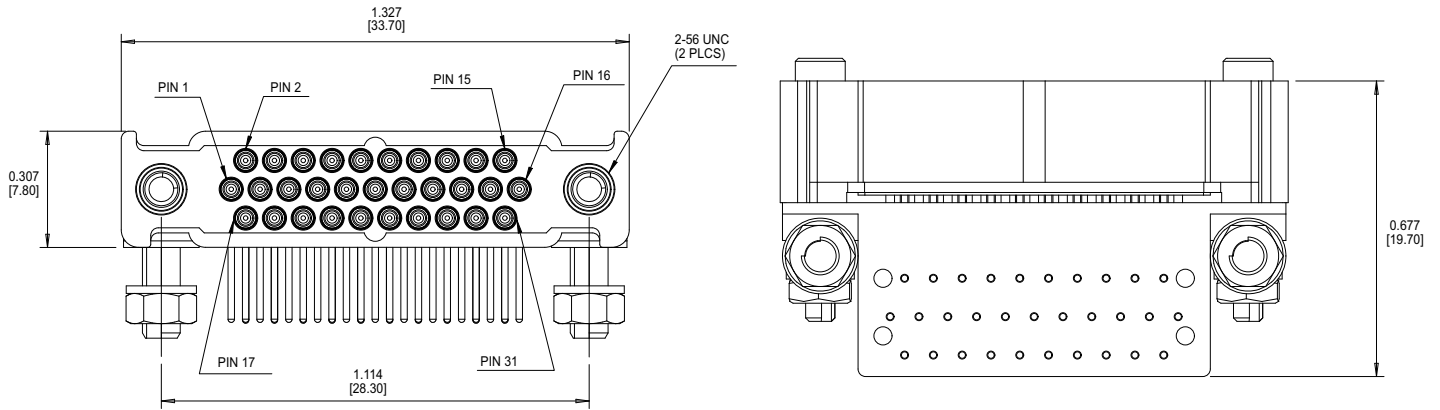


- NOTE:**
- 1) 90° male connectors are not yet available.
 - 2) 90° female connectors mate with current offering of male connectors.
 - 3) 90° female drawings are not to scale.

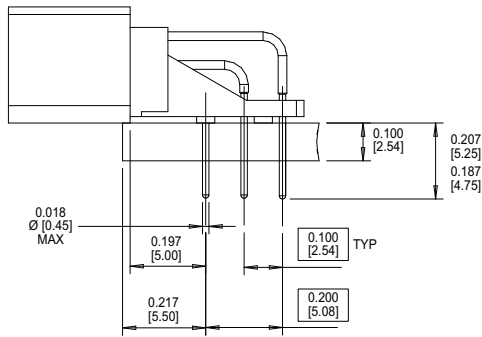
Dimensions are in inches [mm]

90° Female Printed Circuit Board Connectors 31 Contacts

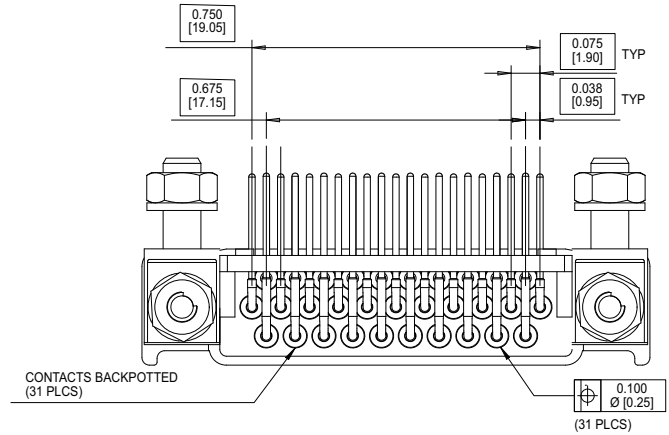
Mating Face



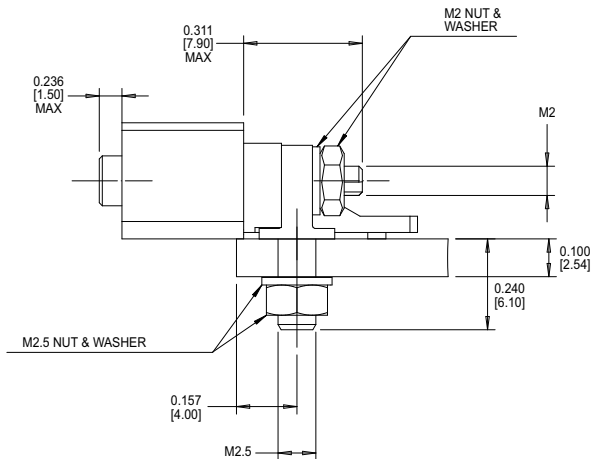
Termination Detail



Termination Face



Mounting Detail



NOTE:

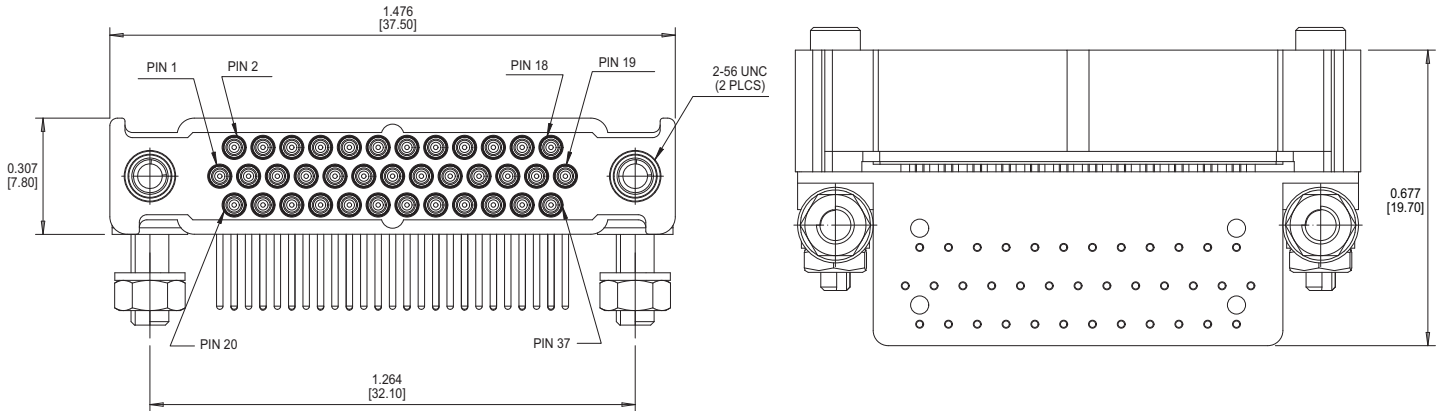
- 1) 90° male connectors are not yet available.
- 90° female connectors mate with current offering of male connectors.
- 2) 90° female drawings are not to scale.

Dimensions are in inches [mm]

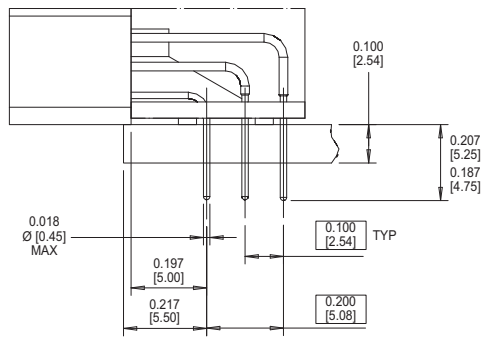
90° Female Printed Circuit Board Connectors

37 Contacts

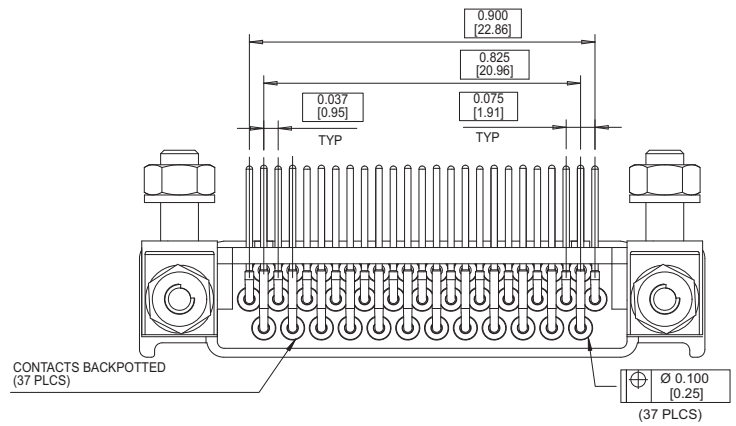
Mating Face



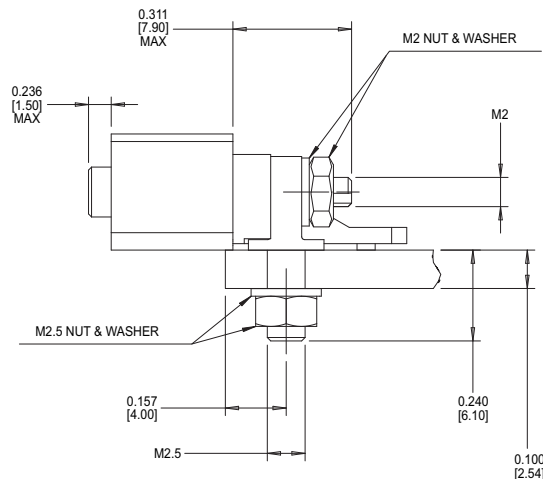
Termination Detail



Termination Face



Mounting Detail



NOTE:

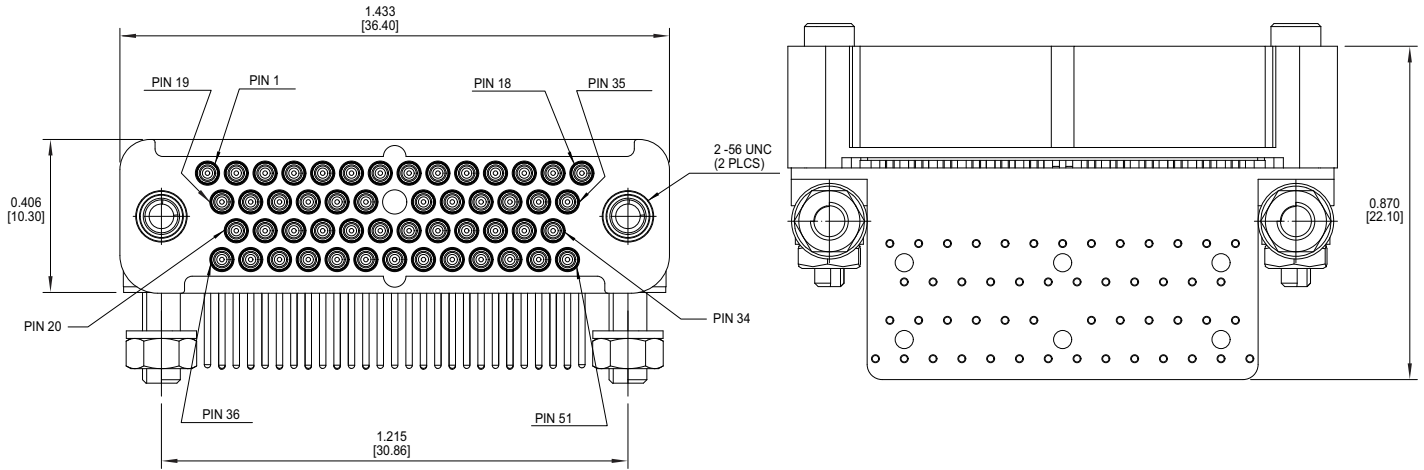
- 1) 90° male connectors are not yet available.
- 90° female connectors mate with current offering of male connectors.
- 2) 90° female drawings are not to scale.

Dimensions are in inches [mm]

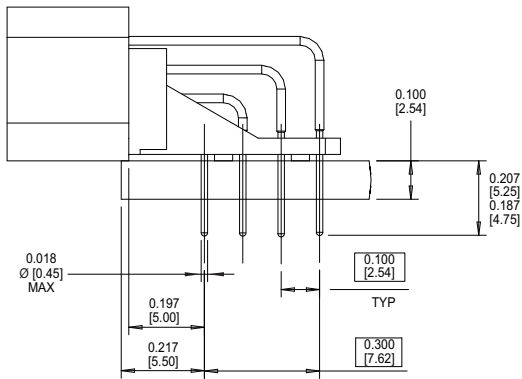
90° Female Printed Circuit Board Connectors

51 Contacts

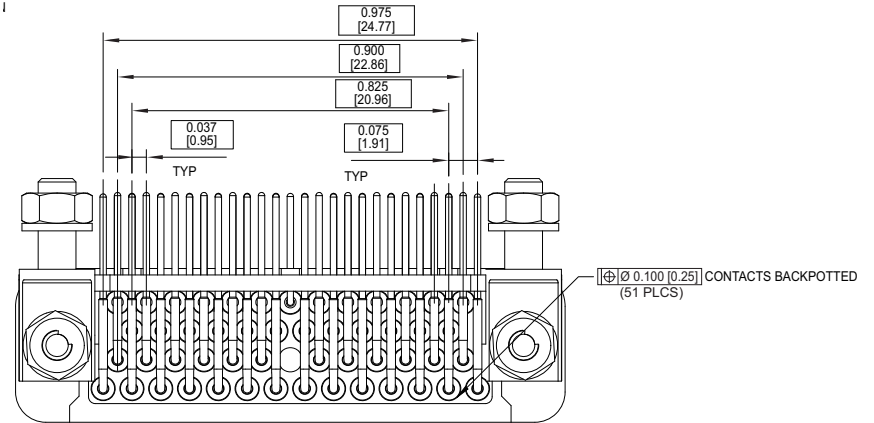
Mating Face



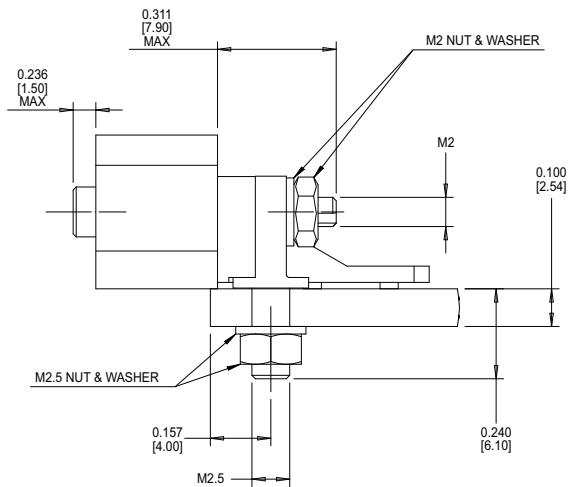
Termination Detail



Termination Face



Mounting Detail



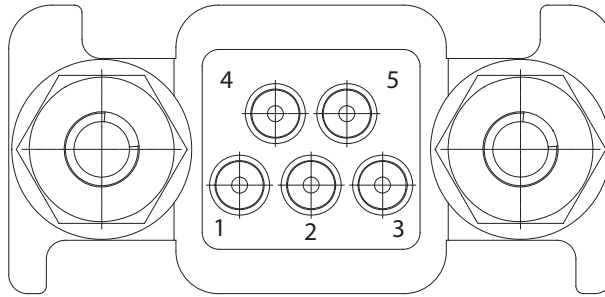
NOTE:

- 1) 90° male connectors are not yet available.
- 2) 90° female connectors mate with current offering of male connectors.
- 3) 90° female drawings are not to scale.

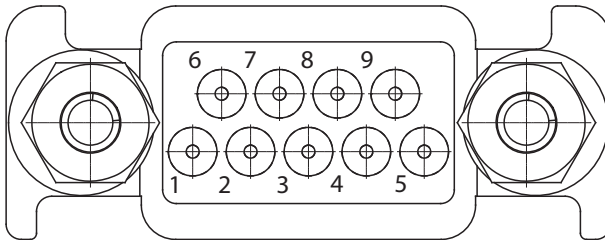
Dimensions are in inches [mm]

HMD Pin Count Identification

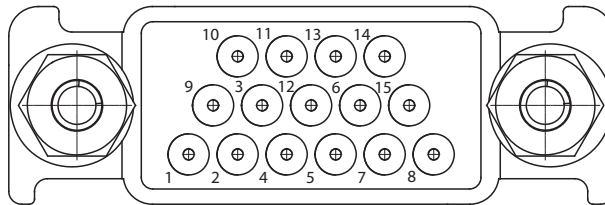
5 Contacts



9 Contacts



15 Contacts

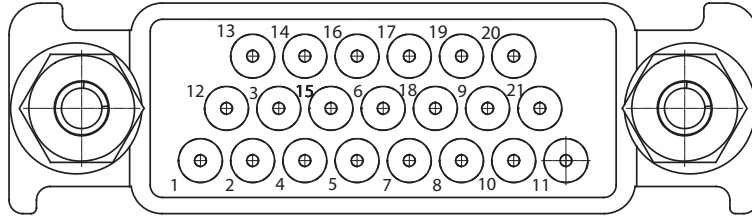


NOTE:
All views are of female connector termination face.

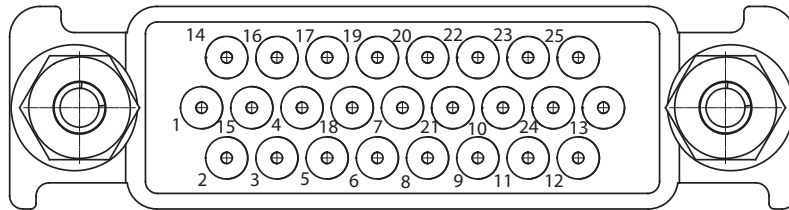
Dimensions are in inches [mm]

HMD Pin Count Identification

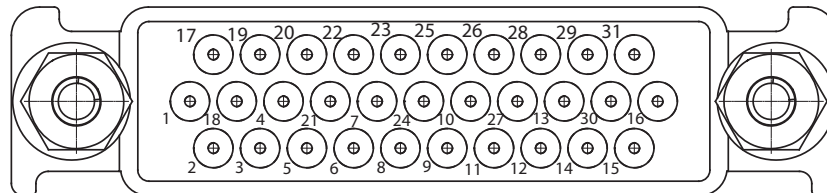
21 Contacts



25 Contacts



31 Contacts

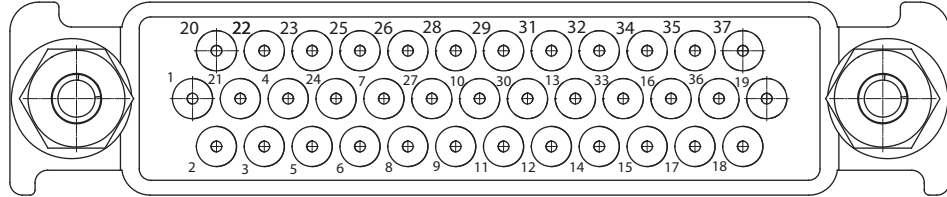


NOTE:
All views are of female connector termination face.

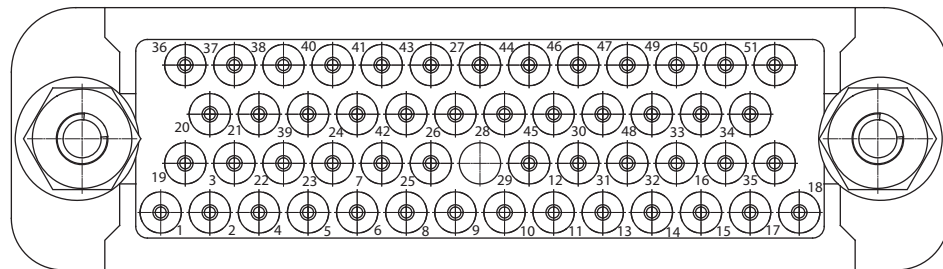
Dimensions are in inches [mm]

HMD Pin Count Identification

37 Contacts



51 Contacts



NOTE:
All views are of female connector termination face.

Dimensions are in inches [mm]

Part Number Configurator

	HMD	2	009	U	F	X	AA	OPO	
Series	HMD								
Pitch	1 = 0.100 [2.54] (Contact factory for availability) 2 = 0.075 [1.905]								
Number of Cavities	005, 009, 015, 021, 025, 031, 037, 051								
Contact Plating	U = Standard gold plating 50µin gold plating over 50µin nickel plating over 10µin copper flash S = U Plating with tin dipped termination								
Contact Gender	M = Male F = Female								
Contact Termination	S = Solder Buckets for 24 AWG P = Through board solder - 180° - 4.50mm long X = Through board solder - 180° (Note: Contact sales office for 90° bent contact termination)								
Variants	Female Variants 000 = Standard PC Tails OPO = Standard PC Tails with Back potting OPX = Tinned and back potted PC Tails (Contact sales office for other female variant codes and options) Male and Female (Cable) Variants 001 = Unterminated (Solder Buckets) 002 = Terminated to 300.00mm of 24 AWG Type 55 wire 003 = Terminated to 300.00mm of 24 AWG Type 55 wire with DR25 Heatshrink Sleeving (Contact sales office for other male variant codes and options)								
Guide Hardware	AA = Standard lock sockets, 316 S/S (Female Only) BB = Standard lock screws, 316 S/S (Male Only) CC = Standard lock sockets, 303 S/S (Female only) COMMERCIAL USE DD = Standard lock screws, 303 S/S (Male only) COMMERCIAL USE 00 = No locking hardware fitted (Male and Female) (Contact sales office for other options)								

90° Female Printed Circuit Board Connectors Ordering Information

Number of Contacts	Part Number*
5	HMD-1022
9	HMD-1023
15	HMD-1024
21	HMD-1025
25	HMD-1026
31	HMD-1027
37	HMD-1028
51	HMD-1029

* Please contact factory to order.

NOTE:

1) 90° male connectors are not yet available. 90° female connectors mate with current offering of male connectors.

Dimensions are in inches [mm]