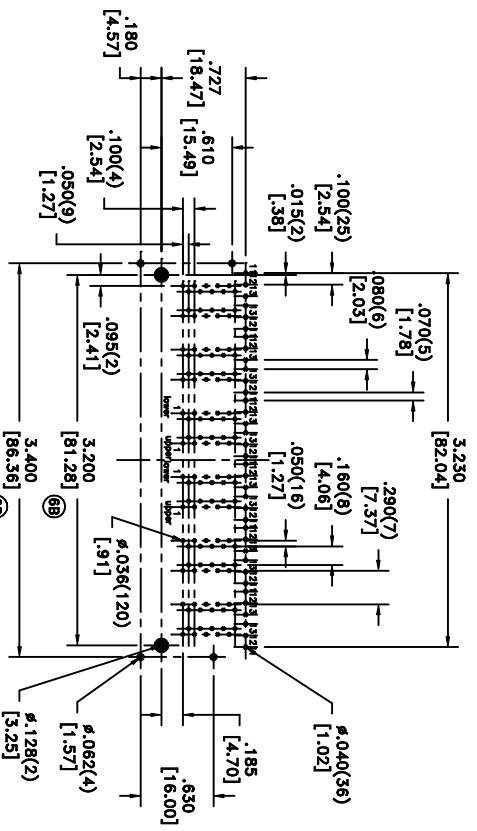
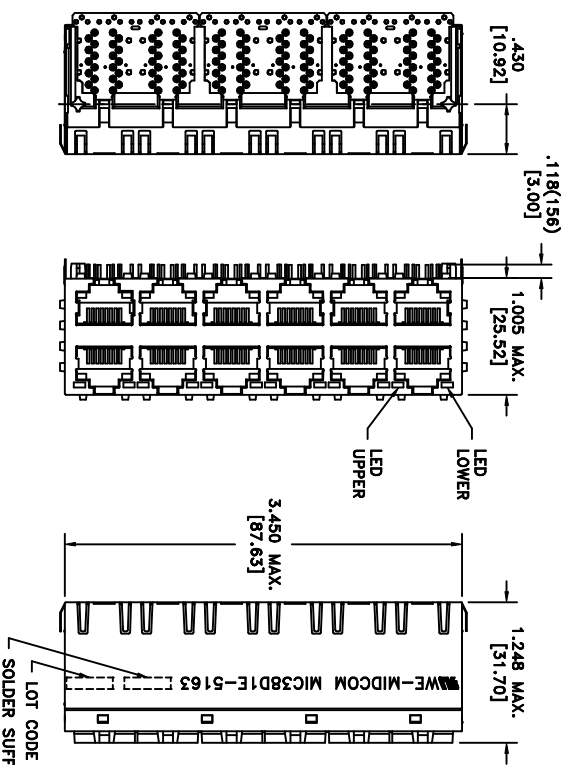


SOLDER SUFFIX	CUSTOMER TERMINAL	RoHS	LEAD(Pb)-FREE
LF1	Sn95%, Ag4%	Yes	No



RECOMMENDED
P.C. PATTERN, COMPONENT SIDE

REV.	DATE
6C	7/08
6B	3/08
6A	1/07

Packaging Specifications
Method: Tray
PKG-0564
www.mtdcom-inc.com

Unless otherwise specified:
Tolerances: Fractions: ±1/64
Angles: ±1° Decimals: ±.010 [25]
This drawing is dual dimensioned. Dimensions in brackets are in millimeters.

DRAWING TITLE
TRANSFORMER

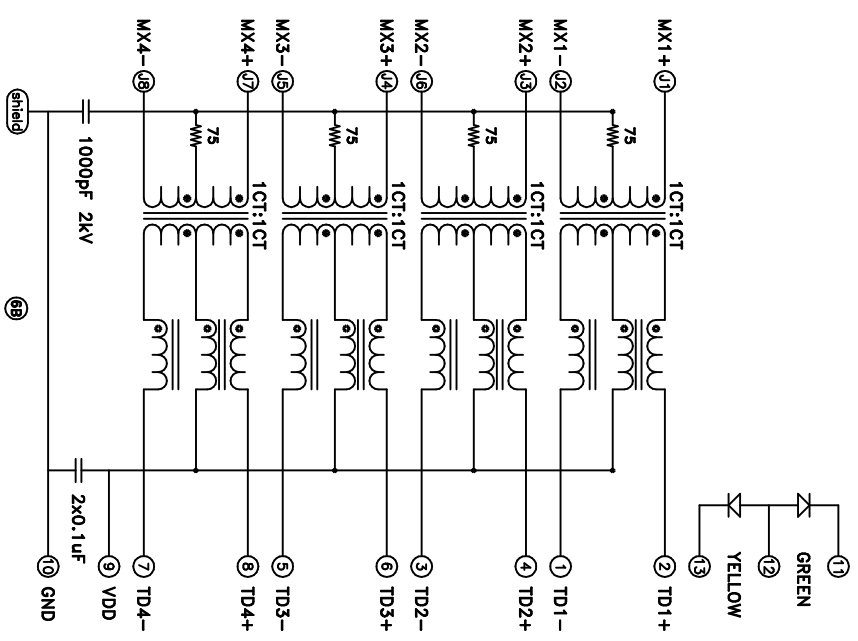
Method: Tray
PKG-0564
www.mtdcom-inc.com

DRAWING NO.
MIC38D1E-5163W-LF1

ELECTRICAL SPECIFICATIONS @ 25°C unless otherwise noted:

- INDUCTANCE: 350uH min., 100KHz, 100mV, 8mADC, J1-J2; J3-J6; J4-J5; J7-J8, Lp.
- DIELECTRIC RATING: 2250VDC, 1mA cut off current, 1 minute tested between P1-10 to J1-8.
- TURNS RATIO/POLARITY: Per schematic.
- INSERTION LOSS: -1.0dB typ., 1MHz - 100MHz.
- RETURN LOSS: -18dB min., 1M - 40MHz.
-15dB min., 40M - 60MHz.
-12dB min., 60M - 80MHz.
-10dB min., 80M - 100MHz.
- CROSS-TALK: -27dB min., 1MHz - 100MHz.
- CMRR: -30dB min., 1MHz - 100MHz.
-15dB min., 100MHz - 200MHz.
- OPERATING TEMPERATURE RANGE: 0°C to +70°C.

LOT CODE & DATE CODE
SOLDER SUFFIX



AGENCY NUMBER	E205630
UL60950-1	E205630

www.mtdcom-inc.com

REVISIONS: SEE SHEET 1
SCALE: ---
SHEET 2 OF 10