

## CMOS 8-BIT MICROCONTROLLER

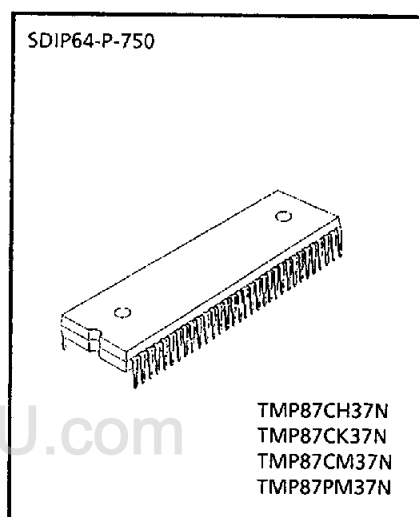
## TMP87CH37N, TMP87CK37N, TMP87CM37N

The 87CH37/K37/M37 are the high speed and high performance 8-bit single chip microcomputers. These MCU contain CPU core, ROM, RAM, input / output ports, six multi-function timer / counters, serial bus interface, on-screen display, PWM outputs, 6-bit A/D conversion inputs, remote control signal preprocessor, and two clock generators on a chip.

PART No.	ROM	RAM	PACKAGE	OTP
TMP87CH37N	16K bytes	1K bytes	SDIP64	TMP87PM37N
TMP87CK37N	24K bytes			
TMP87CM37N	32K bytes			

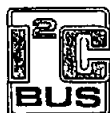
## FEATURES

- ◆ 8-bit single chip microcomputer TLCS-870 Series
- ◆ Instruction execution time : 0.5  $\mu$ s (at 8 MHz), 122  $\mu$ s (at 32.768 kHz)
- ◆ 412 basic instructions
  - Multiplication and Division (8 bits  $\times$  8 bits , 16 bits  $\div$  8 bits)
  - Bit manipulations (Set / Clear / Complement / Move / Test / Exclusive or)
  - 16-bit data operations
  - 1-byte jump / subroutine-call (Short relative jump / Vector call)
- ◆ 15 interrupt sources (External : 6, Internal : 9)
  - All sources have independent latches each, and nested interrupt control is available.
  - 4 edge-selectable external interrupts with noise reject
  - High-speed task switching by register bank changeover
- ◆ 8 Input / Output ports (56 pins)
  - High current output : 4 pins (typ. 20 mA)
- ◆ Two 16-bit Timer / Counters
  - Timer, Event counter, Programmable pulse generator output, Pulse width measurement, External trigger timer, Window modes
- ◆ Two 8-bit Timer / Counters
  - Timer, Event counter, Capture (Pulse width / duty measurement) modes
- ◆ Time Base Timer (Interrupt frequency : 1 Hz to 16 kHz)
- ◆ Divider output function (frequency : 1 kHz to 8 kHz)
- ◆ Watchdog Timer
  - Interrupt source / reset output (programmable)
- ◆ Serial Bus Interface
  - I<sup>2</sup>C-bus, 8-bit SIO modes
- ◆ On-screen display circuit
  - Character patterns : 128 characters
  - Characters displayed : 24 columns  $\times$  12 lines
  - Composition : 14  $\times$  18 dots
  - Size of character : 3 kinds (line by line)
  - Color of character : 8 kinds (character by character)
  - Variable display position : Horizontal 128 steps, Vertical 256 steps
  - Fringing, Smoothing function
- ◆ D/A conversion (Pulse Width Modulation) outputs
  - 14-bit resolution (1 channel)
  - 7-bit resolution (9 channels)
- ◆ 6-bit A/D conversion input (4 channels)
- ◆ Pulse output (Clock for PLL IC)
- ◆ Remote control signal preprocessor
- ◆ Dual clock operation
  - Single/Dual-clock mode (option)



**◆ Five Power saving operating modes**

- STOP mode : Oscillation stops. Battery / Capacitor back-up. Port output hold / high-impedance.
  - SLOW mode: Low power consumption operation using low-frequency clock (32.768 kHz).
  - IDLE1 mode : CPU stops, and Peripherals operate using high-frequency clock. Release by interrupts.
  - IDLE2 mode : CPU stops, and Peripherals operate using high and low frequency clock.  
Release by interrupts.
  - SLEEP mode: CPU stops, and Peripherals operate using low-frequency clock. Release by interrupts.
- ◆ Wide operating voltage : 2.7 to 5.5 V at 32.768 kHz, 4.5 to 5.5 V at 8 MHz / 32.768 kHz
- ◆ Emulation Pod : BM87CM37N0A

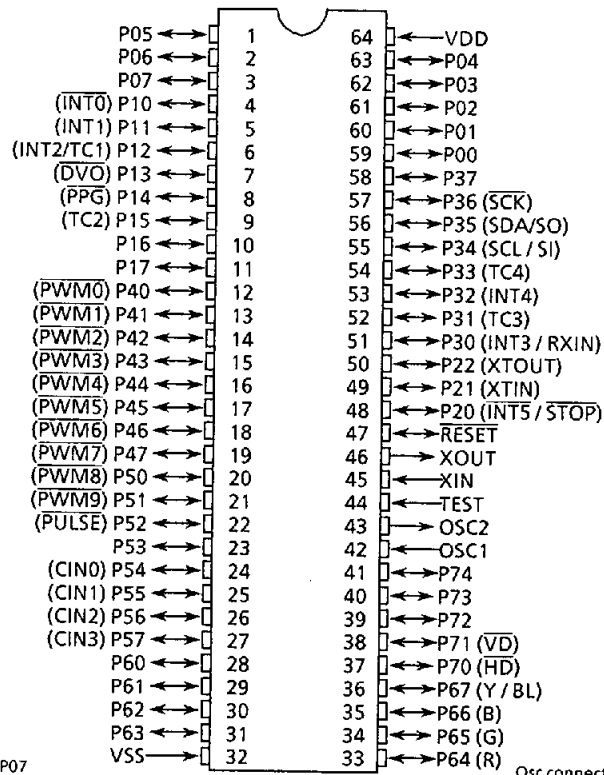


Purchase of TOSHIBA I<sup>2</sup>C components conveys a license under the Philips I<sup>2</sup>C Patent Rights to use these components in an I<sup>2</sup>C system, provided that the system conforms to the I<sup>2</sup>C Standard Specification as defined by Philips.

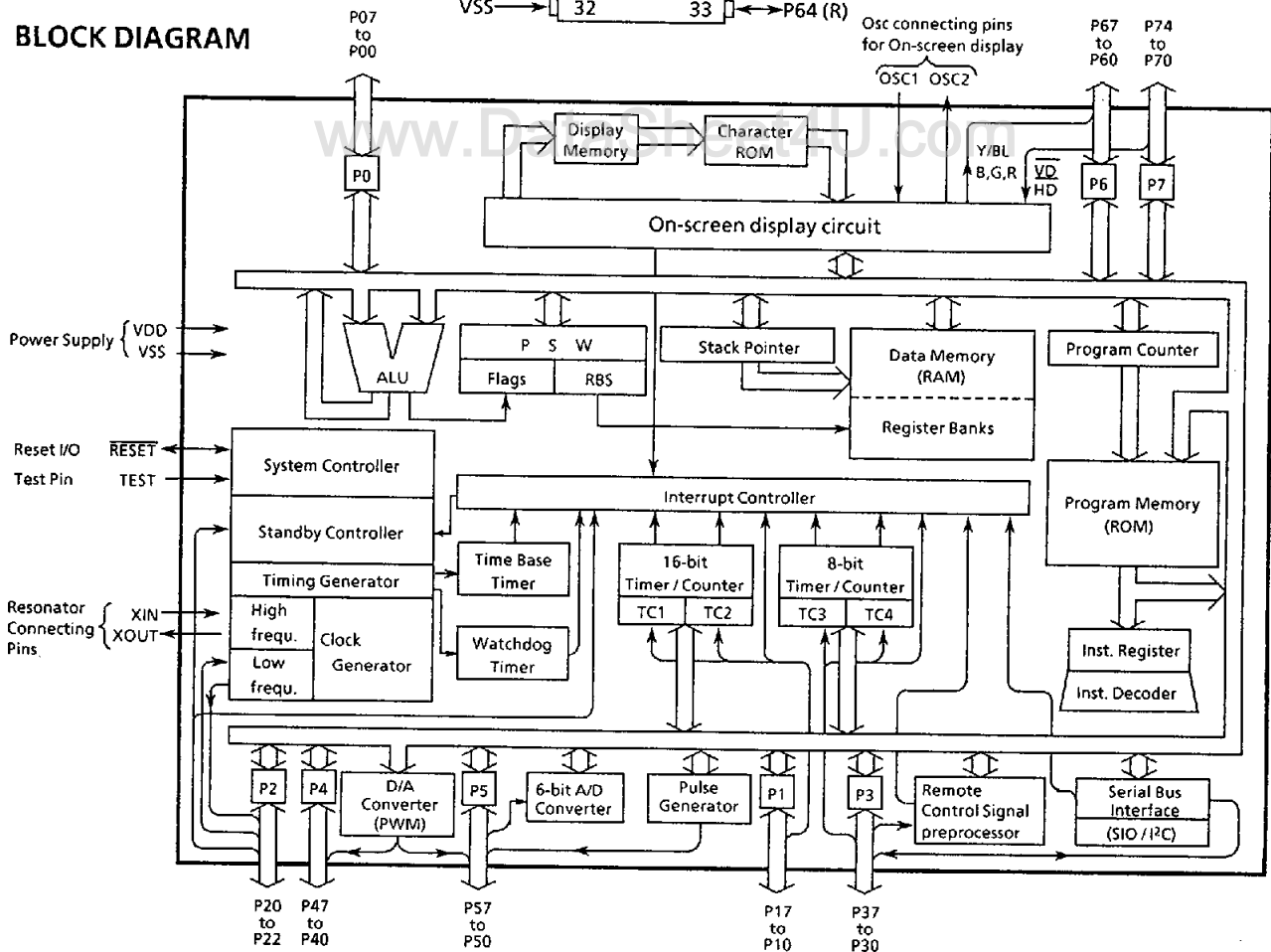
www.DataSheet4U.com

**PIN ASSIGNMENTS (TOP VIEW)**

SDIP64-P-750



**BLOCK DIAGRAM**



## PIN FUNCTION

PIN NAME	Input/Output	Function		
P07 to P00	I/O	Two 8-bit programmable input / output ports (tri-state).		
P17, P16	I/O			
P15 (TC2)	I/O (Input)	Each bit of these ports can be individually configured as an input or an output under software control. During reset, all bits are configured as inputs. When used as a divider output or a PPG output, the latch must be set to "1".	Timer / Counter 2 input	
P14 ( $\overline{\text{PPG}}$ )	I/O (Output)		Programmable pulse generator output	
P13 ( $\overline{\text{DVO}}$ )			Divider output	
P12 (INT2 / TC1)	I/O (Input)		External interrupt input 2 or Timer / Counter 1 input	
P11 (INT1)			External interrupt input 1	
P10 ( $\overline{\text{INT0}}$ )			External interrupt input 0	
P22 (XTOUT)	I/O (Output)		3-bit input/output port with latch.	Resonator connecting pins (32.768 kHz). For inputting external clock, XTIN is used and XTOUT is opened.
P21 (XTIN)	I/O (Input)	External interrupt input 5 or STOP mode release signal input		
P20 ( $\overline{\text{INT5}} / \overline{\text{STOP}}$ )				
P37	I/O	8-bit input / output port with latch. When used as an input port, a serial bus interface input / output, a timer / counter input, a remote control signal preprocessor input, or an external interrupt input, the latch must be set to "1".	SIO serial clock input / output	
P36 ( $\overline{\text{SCK}}$ )	I/O (I/O)		I <sup>2</sup> Cbus serial data input / output or SIO serial data output	
P35 (SDA / SO)	I/O (I/O / Output)		I <sup>2</sup> Cbus serial clock input / output or SIO serial data input	
P34 (SCL / SI)	I/O (I/O / Input)		Timer / Counter 4 input	
P33 (TC4)	I/O (Input)		External interrupt input 4	
P32 (INT4)			Timer / Counter 3 input	
P31 (TC3)			External interrupt input 3 or remote control signal preprocessor input	
P30 (INT3 / RXIN)	I/O (Input / Input)			
P47 ( $\overline{\text{PWM7}}$ ) to P41 ( $\overline{\text{PWM1}}$ )	I/O (Output)		8-bit programmable input / output port (tri-state). Each bit of this port can be individually configured as an input or an output under software control. During reset, all bits are configured as inputs. When used as a PWM output, the latch must be set to "1".	7-bit D/A conversion (PWM) outputs
P40 ( $\overline{\text{PWM0}}$ )				14-bit D/A conversion (PWM) output
P57 (CIN3) to P54 (CIN0)	I/O (Input)	8-bit input / output port with latch. When used as an input port, a comparator input, a PWM output, or a pulse output, the latch must be set to "1".	6-bit A/D conversion (Comparator) inputs	
P53	I/O			
P52 ( $\overline{\text{PULSE}}$ )	I/O (Output)		Pulse output (Clock for PLL IC)	
P51 ( $\overline{\text{PWM9}}$ )			7-bit D/A conversion (PWM) outputs	
P50 ( $\overline{\text{PWM8}}$ )				

PIN NAME	Input/Output	Function	
P67 (Y/BL)	I/O (Output)	8-bit programable input / output port (P67 to P64 : tri-state, P63 to P60 : High current output). Each bit of this port can be individually configured as an input or an output under software control. During reset, all bits are configured as inputs. When used as the R, G, B, Y/BL outputs of on-screen display circuit, each bit of the P6 port data selection register (bits 7 to 4 in address 0F91 <sub>H</sub> ) must be set to "1".	Focus signal output or Background blanking control signal output
P66 (B)			RGB output
P65 (G)			
P64 (R)			High current output
P63			
P62			
P61			
P60			I/O
P74 to P72	I/O	5-bit input / output port with latch. When used as input ports, or a vertical synchronous signal input and horizontal synchronous signal input, the latch must be set to "1".	Vertical synchronous signal input
P71 ( $\overline{VD}$ )	I/O (Input)		Horizontal synchronous signal input
P70 ( $\overline{HD}$ )			
OSC1, OSC2	Input, Output	Resonator connecting pins for on-screen display circuitry.	
XIN, XOUT		Resonator connecting pins. For inputting external clock, XIN is used and XOUT is opened.	
RESET	I/O	Reset signal input or watchdog timer output / address-trap-reset output / system-clock-reset output.	
TEST	Input	Test pin for out-going test. Be tied to low.	
VDD, VSS	Power Supply	+ 5 V, 0 V (GND)	

www.DataSheet4U.com

## OPERATIONAL DESCRIPTION

### 1. CPU CORE FUNCTIONS

The CPU core consists of a CPU, a system clock controller, an interrupt controller, and a watchdog timer. This section provides a description of the CPU core, the program memory (ROM), the data memory (RAM), and the reset circuit.

#### 1.1 Memory Address Map

The TLCS-870 Series is capable of addressing 64K bytes of memory. Figure 1-1 shows the memory address maps of the 87CH37/K37/M37. In the TLCS-870 Series, the memory is organized 4 address spaces (ROM, RAM, SFR, and DBR). It uses a memory mapped I/O system, and all I/O registers are mapped in the SFR / DBR address spaces. There are 16 banks of general-purpose registers. The register banks are also assigned to the first 128 bytes of the RAM address space.

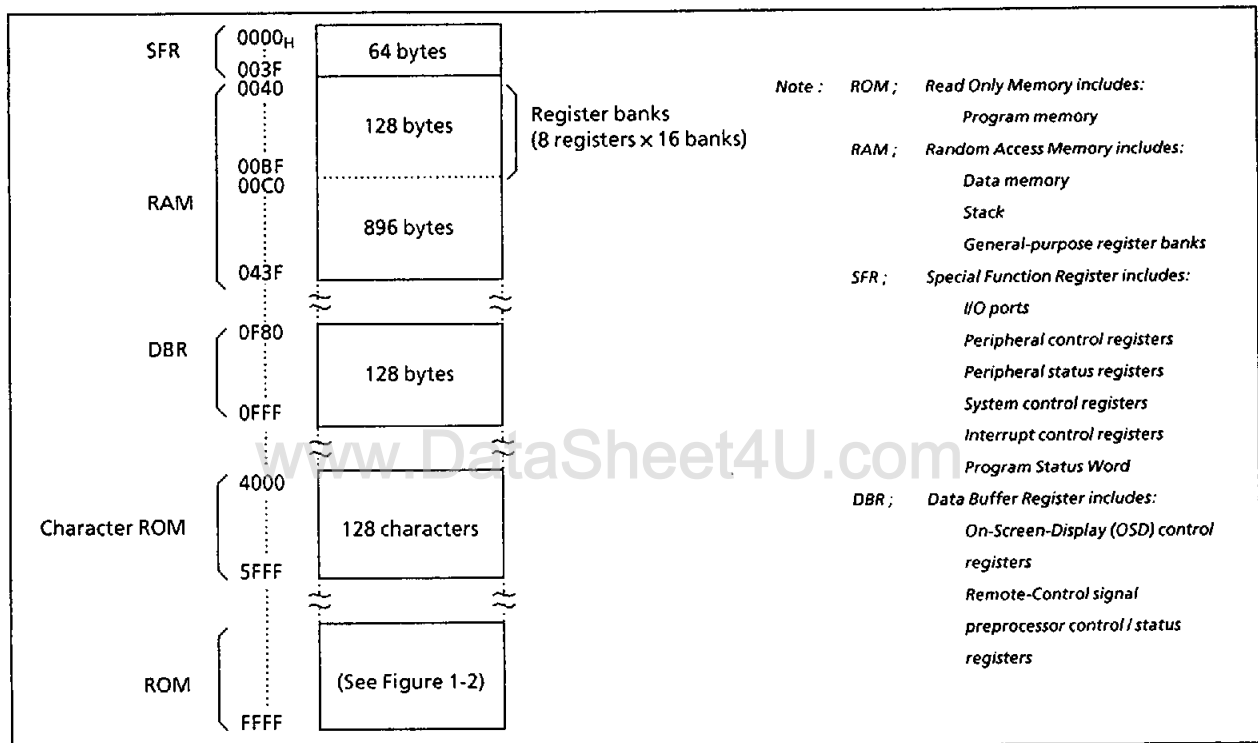


Figure 1-1. Memory Address Map

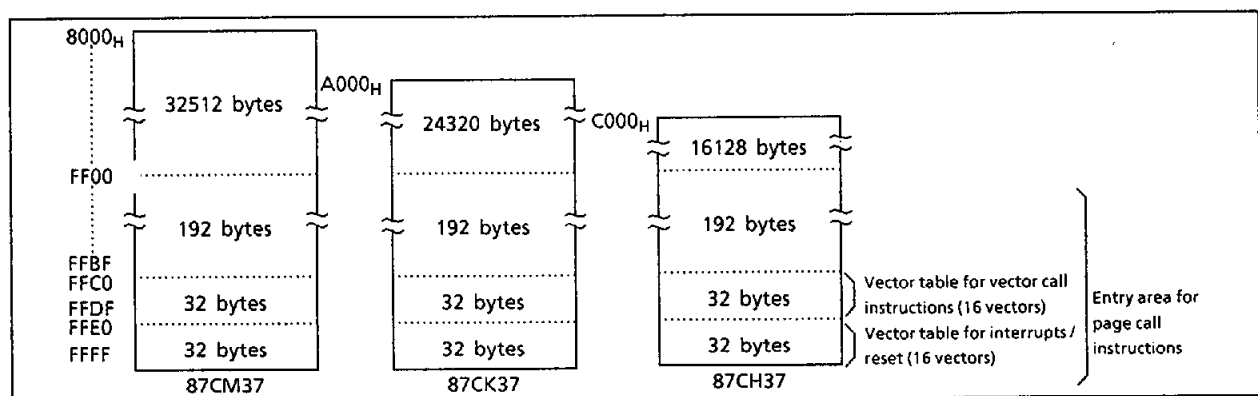


Figure 1-2. ROM Address Maps

## 1.2 Program Memory (ROM)

The 87CH37 has a 16K bytes (addresses C000<sub>H</sub> to FFFF<sub>H</sub>), the 87CK37 has a 24K bytes (addresses A000<sub>H</sub> to FFFF<sub>H</sub>), and the 87CM37 has a 32K bytes (addresses 8000<sub>H</sub> to FFFF<sub>H</sub>) of program memory (mask programmed ROM). Addresses FF00<sub>H</sub> to FFFF<sub>H</sub> in the program memory can also be used for special purposes. Figure 1-2 shows the ROM address maps of the 87CH37/K37/M37.

(1) **Interrupt / Reset vector table (addresses FFE0<sub>H</sub> to FFFF<sub>H</sub>)**

This table consists of a reset vector and 15 interrupt vectors (2 bytes/vector). These vectors store a reset start address and interrupt service routine entry addresses.

(2) **Vector table for vector call instructions (addresses FFC0<sub>H</sub> to FFDF<sub>H</sub>)**

This table stores call vectors (subroutine entry address, 2 bytes / vector) for the vector call instructions [CALLV n]. There are 16 vectors. The CALLV instruction increases memory efficiency when utilized for frequently used subroutine calls (called from 3 or more locations).

(3) **Entry area (addresses FF00<sub>H</sub> to FFFF<sub>H</sub>) for page call instructions**

This is the subroutine entry address area for the page call instructions [CALLP n]. Addresses FF00<sub>H</sub>-FFBF<sub>H</sub> are normally used because address FFC0<sub>H</sub> to FFFF<sub>H</sub> are used for the vector tables.

Programs and fixed data are stored in the program memory. The instruction to be executed next is read from the address indicated by the current contents of the program counter (PC). There are relative jump and absolute jump instructions. The concepts of page or bank boundaries are not used in the program memory concerning any jump instruction.

Example: The relationship between the jump instructions and the PC.

① **5-bit PC-relative jump [JRS cc, \$ + 2 + d]**

E8C4H: JRS T, \$ + 2 + 08H

When JF = 1, the jump is made to E8CE<sub>H</sub>, which is 08<sub>H</sub> added to the contents of the PC. (The PC contains the address of the instruction being executed + 2; therefore, in this case, the PC contents are E8C4<sub>H</sub> + 2 = E8C6<sub>H</sub>.)

② **8-bit PC-relative jump [JR cc, \$ + 2 + d]**

E8C4H: JR Z, \$ + 2 + 80H

When ZF = 1, the jump is made to E846<sub>H</sub>, which is FF80<sub>H</sub> (-128) added to the current contents of the PC.

③ **16-bit absolute jump [JP a]**

E8C4H: JP 0C235H

An unconditional jump is made to address C235<sub>H</sub>. The absolute jump instruction can jump anywhere within the entire 64K-bytes space.

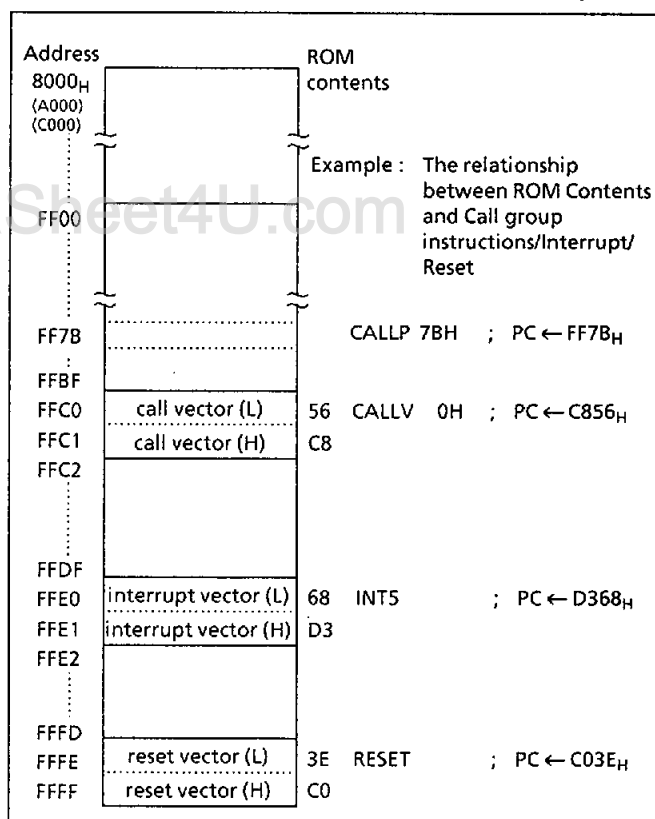


Figure 1-3. Program Memory Map

In the TLCS-870 Series, the same instruction used to access the data memory (e.g. [LD A, (HL)]) is also used to read out fixed data (ROM data) stored in the program memory. The register-offset PC-relative addressing (PC + A) instructions can also be used, and the code conversion, table look-up and n-way multiple jump processing can easily be programmed.

Example 1 : Loads the ROM contents at the address specified by the HL register pair contents into the accumulator (HL  $\geq$  8000<sub>H</sub> for 87CM37):

```
LD    A, (HL)          ; A ← ROM (HL)
```

Example 2 : Converts BCD to 7-segment code (common anode LED). When A = 05<sub>H</sub>, 92<sub>H</sub> is output to port P5 after executing the following program:

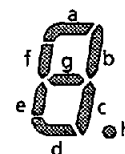
```
ADD  A, TABLE - $ - 4 ; P5 ← ROM (TABLE + A)
```

```
LD   (P5), (PC + A)
```

```
JRS  T, SNEXT          ; Jump to SNEXT
```

```
TABLE: DB    0C0H, 0F9H, 0A4H, 0B0H, 99H, 92H, 82H, 0D8H, 80H, 98H
```

```
SNEXT:
```



Notes : "\$" is a header address of ADD instruction.  
DB is a byte data definition instruction.

Example 3 : N-way multiple jump in accordance with the contents of accumulator ( $0 \leq A \leq 3$ ):

```
SHLC  A                ; if A = 00H then PC ← C234H
```

```
JP    (PC + A)         ; if A = 01H then PC ← C378H
```

```
                ; if A = 02H then PC ← DA37H
```

```
                ; if A = 03H then PC ← E1B0H
```

```
DW    0C234H, 0C378H, 0DA37H, 0E1B0H
```

SHLC A	
JP	(PC + A)
34	C2
78	C3
37	DA
B0	E1

Note : DW is a word data definition instruction.

### 1.3 Program Counter (PC)

The program counter (PC) is a 16-bit register which indicates the program memory address where the instruction to be executed next is stored. After reset, the user defined reset vector stored in the vector table (addresses FFFF<sub>H</sub> and FFFE<sub>H</sub>) is loaded into the PC ; therefore, program execution is possible from any desired address. For example, when C0<sub>H</sub> and 3E<sub>H</sub> are stored at addresses FFFF<sub>H</sub> and FFFE<sub>H</sub>, respectively, the execution starts from address C03E<sub>H</sub> after reset.

The TLCS-870 Series utilizes pipelined processing (instruction pre-fetch); therefore, the PC always indicates 2 addresses in advance. For example, while a 1-byte instruction stored at address C123<sub>H</sub> is being executed, the PC contains C125<sub>H</sub>.

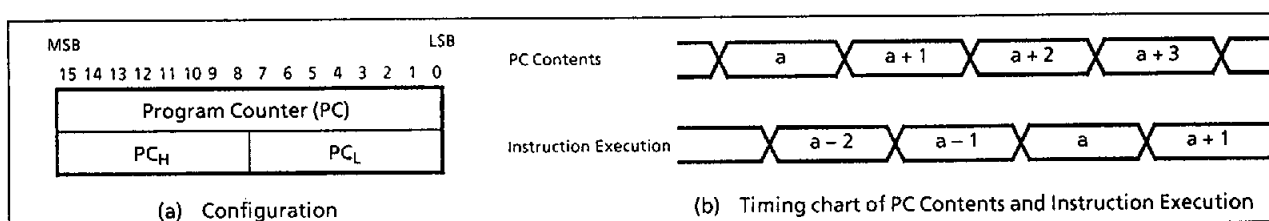


Figure 1-4. Program Counter



## 1.4 Data Memory (RAM)

The 87CH37/K37/M37 have a 1K bytes (addresses 0040<sub>H</sub> to 043F<sub>H</sub>) of data memory (static RAM). Figure 1-5 shows the data memory map.

Addresses 0000<sub>H</sub> to 00FF<sub>H</sub> are used as a direct addressing area to enhance instructions which utilize this addressing mode; therefore, addresses 0040<sub>H</sub> to 00FF<sub>H</sub> in the data memory can also be used for user flags or user counters. General-purpose register banks (8 registers × 16 banks) are also assigned to the 128 bytes of addresses 0040<sub>H</sub> to 00BF<sub>H</sub>. Access as data memory is still possible even when being used for registers. For example, when the contents of the data memory at address 0040<sub>H</sub> is read out, the contents of the accumulator in the bank 0 are also read out. The stack can be located anywhere within the data memory except the register bank area. The stack depth is limited only by the free data memory size. For more details on the stack, see section "1.7 Stack and Stack Pointer".

With the TLCS-870 series, programs in data memory cannot be executed. If the program counter indicates a specific data memory address an address-trap-reset is generated due to bus error. (Output from the RESET pin goes low.)

Example 1 : If bit 2 at data memory address 00C0<sub>H</sub> is "1", 00<sub>H</sub> is written to data memory at address 00E3<sub>H</sub>; otherwise, FF<sub>H</sub> is written to the data memory at address 00E3<sub>H</sub>:

```
TEST (00C0H).2 ; if (00C0H) 2 = 0 then jump
JRS T,SZERO
CLR (00E3H) ; (00E3H) ← 00H
JRS T,SNEXT
SZERO : LD (00E3H), 0FFH ; (00E3H) ← FFH
SNEXT :
```

Example 2 : Increments the contents of data memory at address 00F5<sub>H</sub>, and clears to 00<sub>H</sub> when 10<sub>H</sub> is exceeded:

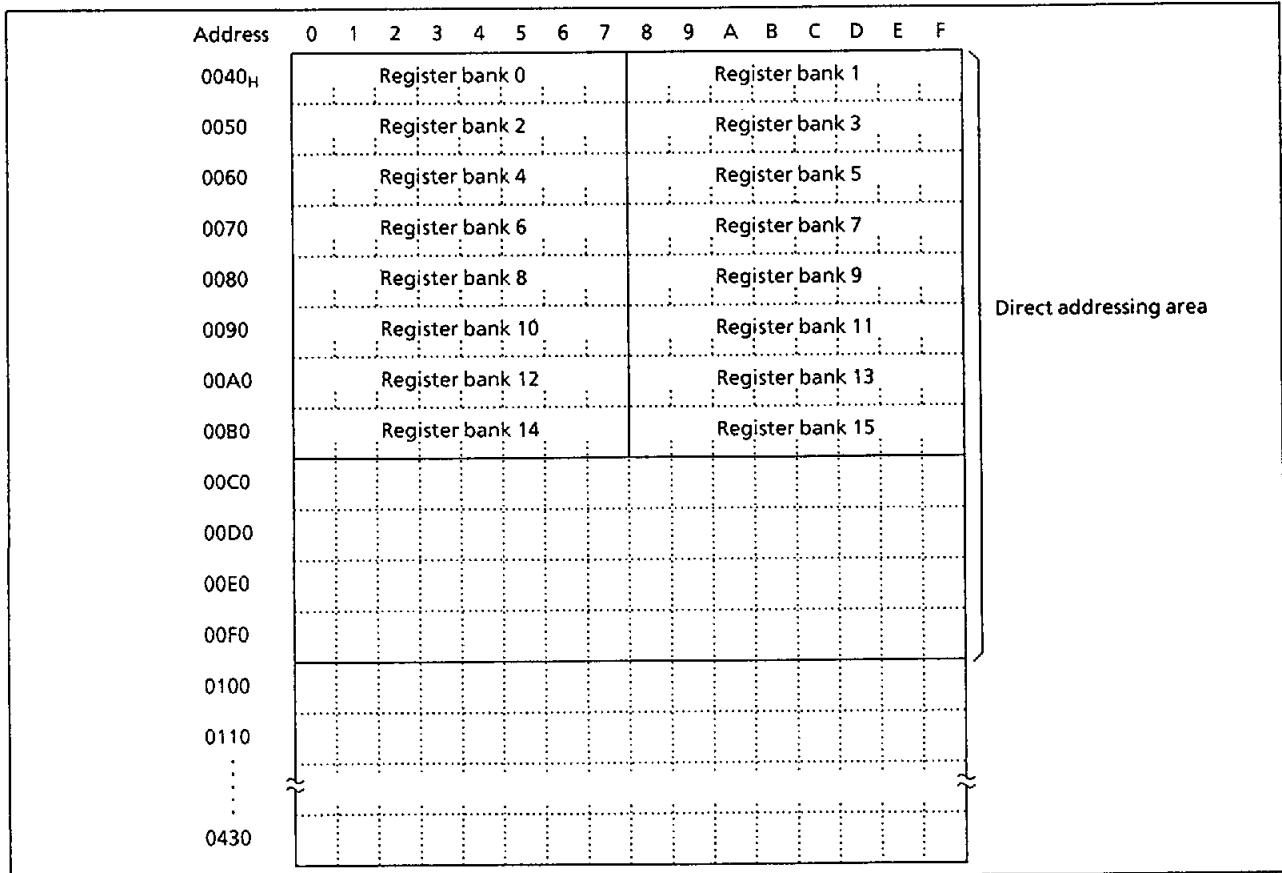
```
INC (00F5H) ; (00F5H) ← (00F5H) + 1
AND (00F5H), 0FH ; (00F5H) ← (00F5H) ∧ 0FH
```

The data memory contents become unstable when the power supply is turned on; therefore, the data memory should be initialized by an initialization routine.

**Note:** The general-purpose registers are mapped in the RAM; therefore, do not clear RAM at the current bank addresses.

Example : Clears RAM to "00<sub>H</sub>" except the bank 0:

```
LD HL, 0048H ; Sets start address to HL register pair
LD A, H ; Sets initial data (00H) to A register
LD BC, 03F7H ; Sets number of byte to BC register pair
SRAMCLR : LD (HL+), A
DEC BC
JRS F, SRAMCLR
```

www.DataSheet4U.com  
Figure 1-5. Data Memory Map

### 1.5 General-purpose Register Banks

General-purpose registers are mapped into addresses 0040<sub>H</sub> to 00BF<sub>H</sub> in the data memory as shown in Figure 1-5. There are 16 register banks, and each bank contains eight 8-bit registers W, A, B, C, D, E, H, and L. Figure 1-6 shows the general-purpose register bank configuration.

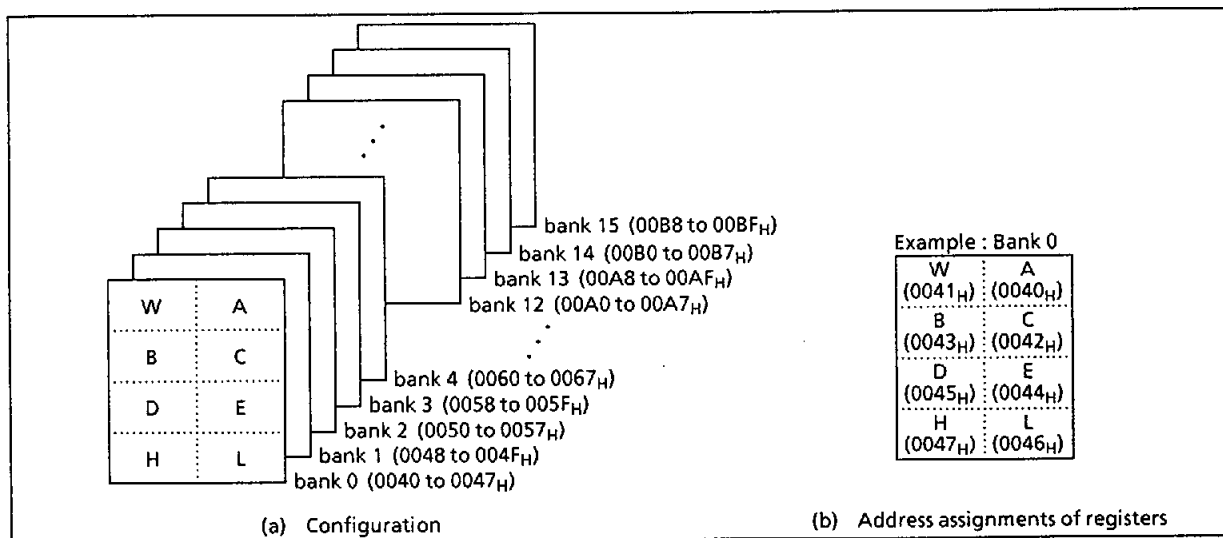


Figure 1-6. General-purpose Register Banks

In addition to access in 8-bit units, the registers can also be accessed in 16-bit units as the register pairs WA, BC, DE, and HL. Besides its function as a general-purpose register, the register also has the following functions:

### (1) A, WA

The A register functions as an 8-bit accumulator and WA the register pair functions as a 16-bit accumulator (W is high byte and A is low byte). Registers other than A can also be used as accumulators for 8-bit operations.

Examples :

- ① ADD A, B ; Adds B contents to A contents and stores the result into A.
- ② SUB WA, 1234H ; Subtracts 1234<sub>H</sub> from WA contents and stores the result into WA.
- ③ SUB E, A ; Subtracts A contents from E contents, and stores the result into E.

### (2) HL, DE

The HL and DE specify a memory address. The HL register pair functions as data pointer (HL) / index register (HL + d) / base register (HL + C), and the DE register pair function as a data pointer (DE). The HL also has an auto-post-increment and auto-pre-decrement functions. This function simplifies multiple digit data processing, software LIFO (last-in first-out) processing, etc.

Example 1 :

- ① LD A, (HL) ; Loads the memory contents at the address specified by HL into A.
- ② LD A, (HL + 52H) ; Loads the memory contents at the address specified by the value obtained by adding 52<sub>H</sub> to HL contents into A.
- ③ LD A, (HL + C) ; Loads the memory contents at the address specified by the value obtained by adding the register C contents to HL contents into A.
- ④ LD A, (HL +) ; Loads the memory contents at the address specified by HL into A. Then increments HL.
- ⑤ LD A, (-HL) ; Decrements HL. Then loads the memory contents at the address specified by new HL into A.

The TLC8-870 Series can transfer data directly memory to memory, and operate directly between memory data and memory data. This facilitates the programming of block processing.

### Example 2 : Block transfer

```
LD B, n-1 ; Sets (number of bytes to transfer) - 1 to B
LD HL, DSTA ; Sets destination address to HL
LD DE, SRCA ; Sets source address to DE
SLOOP: LD (HL), (DE) ; (HL) ← (DE)
INC HL ; HL ← HL + 1
INC DE ; DE ← DE + 1
DEC B ; B ← B - 1 JRS F, SLOOP ; if B ≥ 0 then loop
```

### (3) B, C, BC

Registers B and C can be used as 8-bit buffers or counters, and the BC register pair can be used as a 16-bit buffer or counter. The C register functions as an offset register for register-offset index addressing (refer to example 1 ③ above) and as a divisor register for the division instruction [DIV gg, C].

Example 1 : Repeat processing

```
LD      B, n          ; Sets n as the number of repetitions to B
SREPEAT: processing  (n + 1 times processing)
DEC     B
JRS    F, SREPEAT
```

Example 2 : Unsigned integer division (16-bit ÷ 8-bit)

```
DIV    WA, C          ; Divides the WA contents by the C contents, places the
                    ; quotient in A and the remainder in W.
```

The general-purpose register banks are selected by the 4-bit register bank selector (RBS). During reset, the RBS is initialized to "0". The bank selected by the RBS is called the current bank.

Together with the flag, the RBS is assigned to address 003FH in the SFR as the program status word (PSW). There are 3 instructions [LD RBS, n], [PUSH PSW] and [POP PSW] to access the PSW. The PSW can be also operated by the memory access instruction.

Example 1 : Incrementing the RBS

```
INC    (003FH)       ; RBS ← RBS + 1
```

Example 2 : Reading the RBS

```
LD     A, (003FH)    ; A ← PSW (A3-0 ← RBS, A7-4 ← Flags)
```

Highly efficient programming and high-speed task switching are possible by using bank changeover to save registers during interrupt and to transfer parameters during subroutine processing.

During interrupt, the PSW is automatically saved onto the stack. The bank used before the interrupt was accepted is restored automatically by executing an interrupt return instruction [RETI] / [RETN]; therefore, there is no need for the RBS save / restore software processing.

The TLC870 Series supports a maximum of 15 interrupt sources. One bank is assigned to the main program, and one bank can be assigned to each source. Also, to increase the efficiency of data memory usage, assign the same bank to interrupt sources which are not nested.

Example : Saving / restoring registers during interrupt task using bank changeover.

```
PINT1: LD   RBS, n    ; RBS ← n (Bank changeover)
        Interrupt processing
RETI    ; Maskable interrupt return (Bank restoring)
```

## 1.6 Program Status Word (PSW)

The program status word (PSW) consists of a register bank selector (RBS) and four flags, and the PSW is assigned to address 003FH in the SFR.

The RBS can be read and written using the memory access instruction (e. g. [LD A, (003FH)], [LD (003FH), A]), however the flags can only be read. When writing to the PSW, the change specified by the instruction is made without writing data to the flags. For example, when the instruction [LD (003FH), 05H] is executed, "5" is written to the RBS and the JF is set to "1", but the other flags are not affected. [PUSH PSW] and [POP PSW] are PSW access instructions.

### 1.6.1 Register Bank Selector (RBS)

The register bank selector (RBS) is a 4-bit register used to select general-purpose register banks. For example, when RBS = 2, bank 2 is currently selected. During reset, the RBS is initialized to "0".

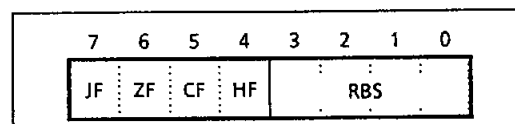


Figure 1-7. PSW (Flags, RBS) Configuration

## 1.6.2 Flags

The flags are configured with the upper 4 bits : a zero flag, a carry flag, a half carry flag and a jump status flag. The flags are set or cleared under conditions specified by the instruction. These flags except the half carry flag are used as jump condition "cc" for conditional jump instructions [JR cc, \$ + 2 + d] / [JRS cc, \$ + 2 + d]. After reset, the jump status flag is initialized to "1", other flags are not affected.

### (1) Zero flag (ZF)

The ZF is set to "1" if the operation result or the transfer data is 00<sub>H</sub> (for 8-bit operations and data transfers) / 0000<sub>H</sub> (for 16-bit operations); otherwise the ZF is cleared to "0".

During the bit manipulation instructions [SET, CLR, and CPL], the ZF is set to "1" if the contents of the specified bit is "0"; otherwise the ZF is cleared to "0".

This flag is set to "1" when the upper 8 bits of the product are 00<sub>H</sub> during the multiplication instruction [MUL], and when 00<sub>H</sub> for the remainder during the division instruction [DIV]; otherwise it is cleared to "0".

### (2) Carry flag (CF)

The CF is set to "1" when a carry out of the MSB (most significant bit) of the result occurred during addition or when a borrow into the MSB of the result occurred during subtraction; otherwise the CF is cleared to "0". During division, this flag is set to "1" when the divisor is 00<sub>H</sub> (divided by zero error), or when the quotient is 100<sub>H</sub> or higher (quotient overflow error); otherwise it is cleared. The CF is also affected during the shift / rotate instructions [SHLC, SHRC, ROLC, and RORC]. The data shifted out from a register is set to the CF.

This flag is also a 1-bit register (a boolean accumulator) for the bit manipulation instructions.

Set / clear / complement are possible with the CF manipulation instructions.

Example1 : Bit manipulation

```
LD    CF, (0007H).5 ; (0001H)2 ← (0007H)5 ∨ (009AH)0
XOR   CF, (009AH).0
LD    (0001H).2, CF
```

Example2 : Arithmetic right shift

```
LD    CF, A.7 ; A ← A/2
RORC  A
```

### (3) Half carry flag (HF)

The HF is set to "1" when a carry occurred between bits 3 and 4 of the operation result during an 8-bit addition, or when a borrow occurred from bit 4 into bit 3 of the result during an 8-bit subtraction; otherwise the HF is cleared to "0". This flag is useful in the decimal adjustment for BCD operations (adjustments using the [DAA r], or [DAS r] instructions).

Example : BCD operation

(The A becomes 47<sub>H</sub> after executing the following program when A = 19<sub>H</sub>, B = 28<sub>H</sub>)

```
ADD   A, B ; A ← 41H, HF ← 1, CF ← 0
DAA   A ; A ← 41H + 06H = 47H (decimal-adjust)
```

**(4) Jump status flag (JF)**

Zero or carry information is set to the JF after operation (e. g. INC, ADD, CMP, TEST).

The JF provides the jump condition for conditional jump instructions [JRS T/F, \$ + 2 + d], [JR T/F, \$ + 2 + d] (T or F is a condition code). Jump is performed if the JF is "1" for a true condition (T), or the JF is "0" for a false condition (F).

The JF is set to "1" after executing the load / exchange / swap / nibble rotate/jump instruction, so that [JRS T, \$ + 2 + d] and [JR T, \$ + 2 + d] can be regarded as an unconditional jump instruction.

Example : Jump status flag and conditional jump instruction

```

INC    A
JRS    T, SLABLE1    ; Jump when a carry is caused by the immediately
                    ; preceding operation instruction.
:
LD     A, (HL)
JRS    T, SLABLE2    ; JF is set to "1" by the immediately preceding
                    ; instruction, making it an unconditional jump
                    ; instruction.
:

```

Example : The accumulator and flags become as shown below after executing the following instructions when the WA register pair, the HL register pair, the data memory at address 00C5H, the carry flag and the half carry flag contents being "219AH", "00C5H", "D7H", "1" and "0", respectively.

Instruction	Acc. after execution	Flag after execution			
		JF	ZF	CF	HF
ADDC A, (HL)	72	1	0	1	1
SUBB A, (HL)	C2	1	0	1	0
CMP A, (HL)	9A	0	0	1	0
AND A, (HL)	92	0	0	1	0
LD A, (HL)	D7	1	0	1	0
ADD A, 66H	00	1	1	1	1

Instruction	Acc. after execution	Flag after execution			
		JF	ZF	CF	HF
INC A	9B	0	0	1	0
ROL A	35	1	0	1	0
ROR A	CD	0	0	0	0
ADD WA, 0F508H	16A2	1	0	1	0
MUL W, A	13DA	0	0	1	0
SET A.5	BA	1	1	1	0

**1.7 Stack and Stack Pointer****1.7.1 Stack**

The stack provides the area in which the return address or status, etc. are saved before a jump is performed to the processing routine during the execution of a subroutine call instruction or the acceptance of an interrupt. On a subroutine call instruction [CALL a] / [CALLP n] / [CALLV n], the contents of the PC (the return address) is saved; on an interrupt acceptance, the contents of the PC and the PSW are saved (the PSW is pushed first, followed by PC<sub>H</sub> and PC<sub>L</sub>). Therefore, a subroutine call occupies two bytes on the stack; an interrupt occupies three bytes.

When returning from the processing routine, executing a subroutine return instruction [RET] restores the contents to the PC from the stack; executing an interrupt return instruction [RETI] / [RETN] restores the contents to the PC and the PSW (the PC<sub>L</sub> is popped first, followed by PC<sub>H</sub> and PSW).

The stack can be located anywhere within the data memory space except the register bank area, therefore the stack depth is limited only by the free data memory size.

### 1.7.2 Stack Pointer (SP)

The stack pointer (SP) is a 16-bit register containing the address of the next free locations on the stack.

The SP is post-decremented when a subroutine call or a push instruction is executed, or when an interrupt is accepted; and the SP is pre-incremented when a return or a pop instruction is executed. Figure 1-9 shows the stacking order.

The SP is not initialized hardware-wise but requires initialization by an initialize routine (sets the highest stack address). [LD SP, mn], [LD SP, gg] and [LD gg, SP] are the SP access instructions (mn ; 16-bit immediate data, gg ; register pair).

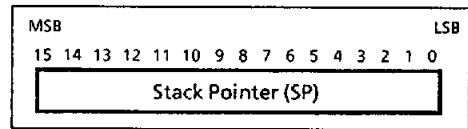


Figure 1-8. Stack Pointer

Example 1 : To initialize the SP  
 LD SP, 043FH ; SP ← 043FH

Example 2 : To read the SP  
 LD HL, SP ; HL ← SP

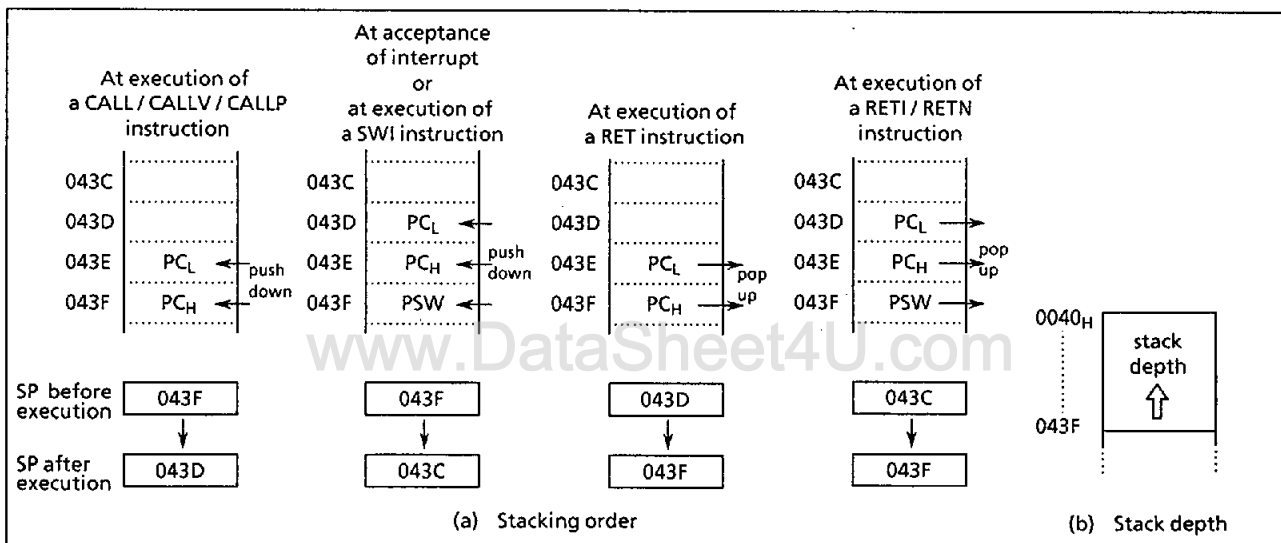


Figure 1-9. Stack

## 1.8 System Clock Controller

The system clock controller consists of a clock generator, a timing generator, and a stand-by controller.

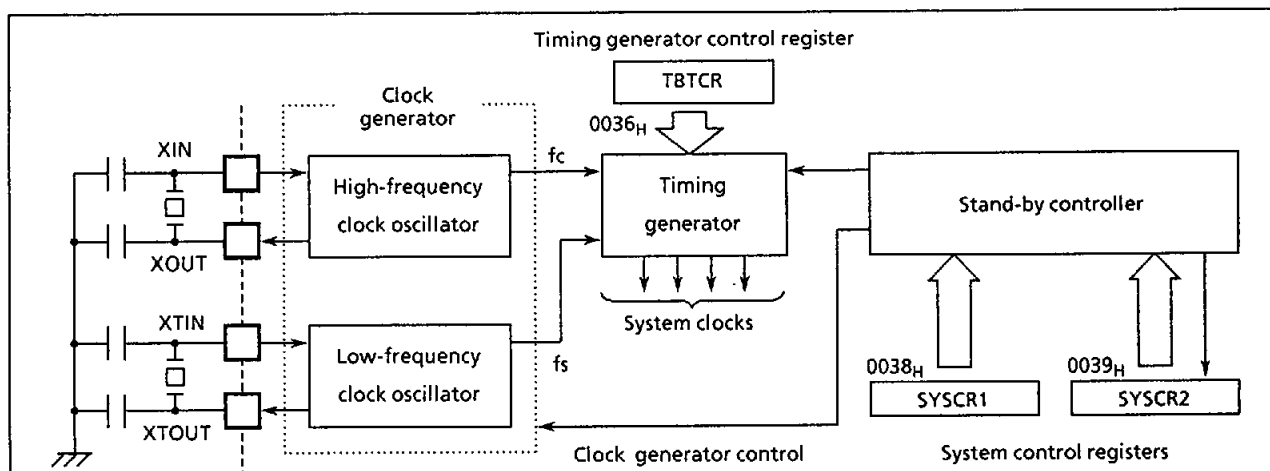


Figure 1-10. System Clock Controller

### 1.8.1 Clock Generator

The clock generator generates the basic clock which provides the system clocks supplied to the CPU core and peripheral hardware. It contains two oscillation circuits: one for the high-frequency clock and one for the low-frequency clock. Power consumption can be reduced by switching of the system clock controller to low-power operation based on the low-frequency clock.

The high-frequency ( $f_c$ ) and low-frequency ( $f_s$ ) clocks can be easily obtained by connecting a resonator between the XIN / XOUT and XTIN / XTOUT pins, respectively. Clock input from an external oscillator is also possible. In this case, external clock is applied to the XIN / XTIN pin with the XOUT / XTOUT pin not connected. The 87CH37/K37/M37 are not provided an RC oscillation.

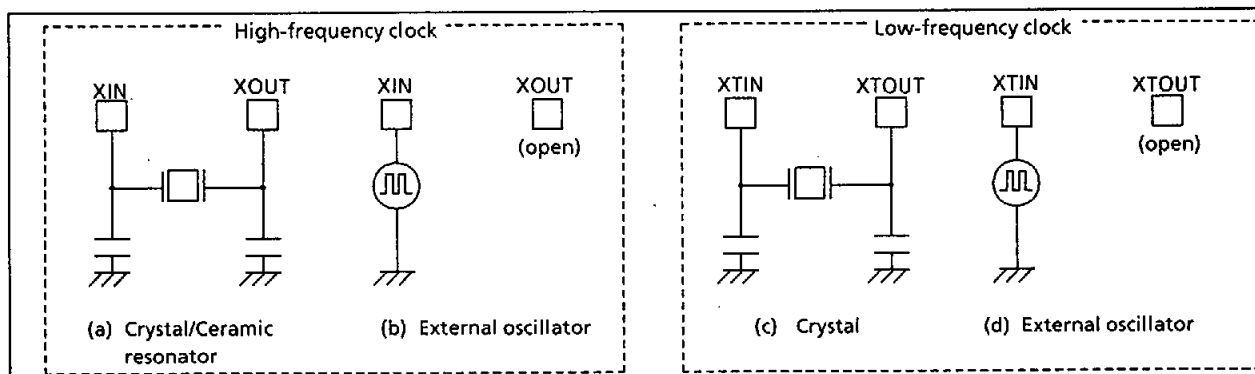


Figure 1-11. Examples of Resonator Connection

**Note :** *Accurate Adjustment of the Oscillation Frequency:*  
Although hardware to externally and directly monitor the basic clock pulse is not provided, the oscillation frequency can be adjusted by making the program to output fixed frequency pulses to the port while disabling all interrupts and monitoring this pulse. With a system requiring adjustment of the oscillation frequency, the adjusting program must be created beforehand.



Example : To output the high-frequency oscillation frequency adjusting monitor pulse to P13 ( $\overline{DVO}$ ) pin.

```
SFCCHK : LD (P1CR), 00001000B ; Configures port P13 as an output
          SET (P1).3 ; P13 output latch ← 1
          LD (TBTCCR), 11100000B ; Enables divider output
          JRS T, $ ; Loops endless
```



## 1.8.2 Timing Generator

The timing generator generates from the basic clock the various system clocks supplied to the CPU core and peripheral hardware. The timing generator provides the following functions :

- ① Generation of main system clock
- ② Generation of divider output ( $\overline{DVO}$ ) pulses
- ③ Generation of source clocks for time base timer
- ④ Generation of source clocks for watchdog timer
- ⑤ Generation of internal source clocks for timer / counters TC1 – TC4
- ⑥ Generation of warm-up clocks for releasing STOP mode
- ⑦ Generation of a clock for releasing reset output

### (1) Configuration of Timing Generator

The timing generator consists of a 21-stage divider with a divided-by-4 prescaler, a main system clock generator, and machine cycle counters. An input clock to the 7th stage of the divider depends on the operating mode and DV7CK (bit 4 in TBTCCR) shown in Figure 1-12 as follows.

During reset and at releasing STOP mode, the divider is cleared to "0", however, the prescaler is not cleared.

- ① In the single-clock mode  
A divided-by-256 of high-frequency clock ( $fc/28$ ) is input to the 7th stage of the divider.
- ② In the dual-clock mode  
During NORMAL2 or IDLE2 mode ( $SYSCK = 0$ ), an input clock to the 7th stage of the divider can be selected either " $fc/28$ " or " $fs$ " with DV7CK.  
During SLOW or SLEEP mode ( $SYSCK = 1$ ),  $fs$  is automatically input to the 7th stage. To input clock to the 1st stage is stopped ; output from the 1st to 6th stages is also stopped.

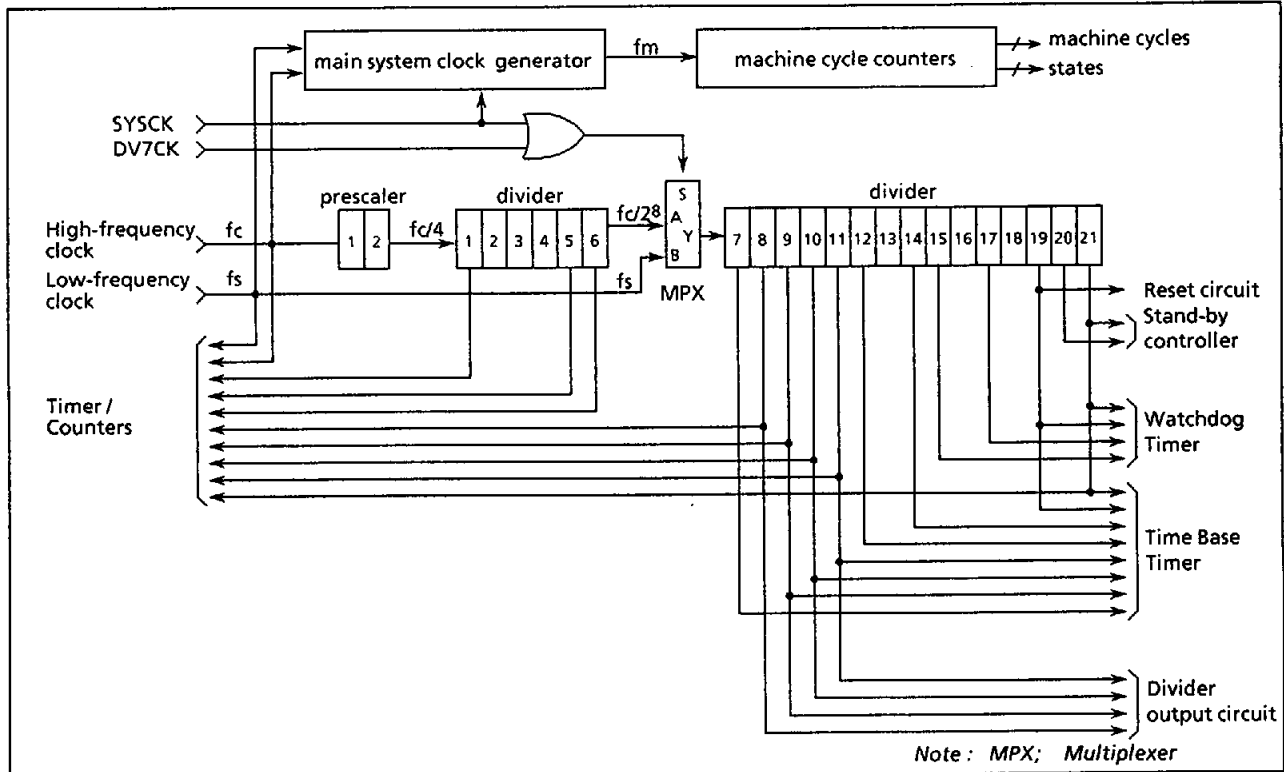


Figure 1-12. Configuration of Timing Generator

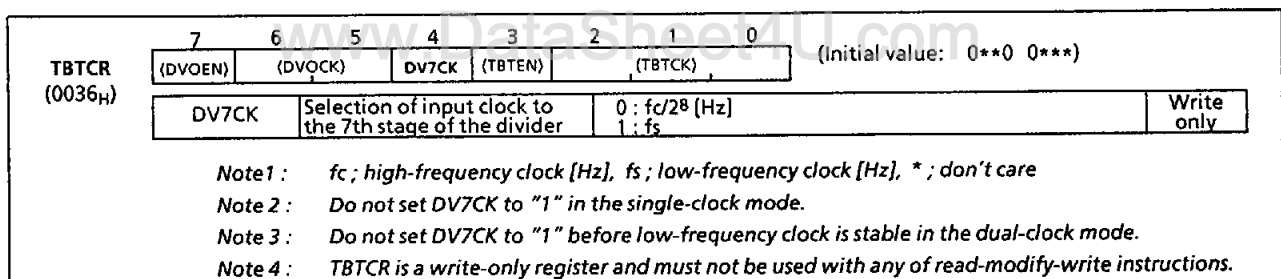


Figure 1-13. Timing Generator Control Register

## (2) Machine Cycle

Instruction execution and peripheral hardware operation are synchronized with the main system clock. The minimum instruction execution unit is called a "machine cycle". There are a total of 10 different types of instructions for the TLCS-870 Series: ranging from 1-cycle instructions which require one machine cycle for execution to 10-cycle instructions which require 10 machine cycles for execution.

A machine cycle consists of 4 states (S0 to S3), and each state consists of one main system clock.

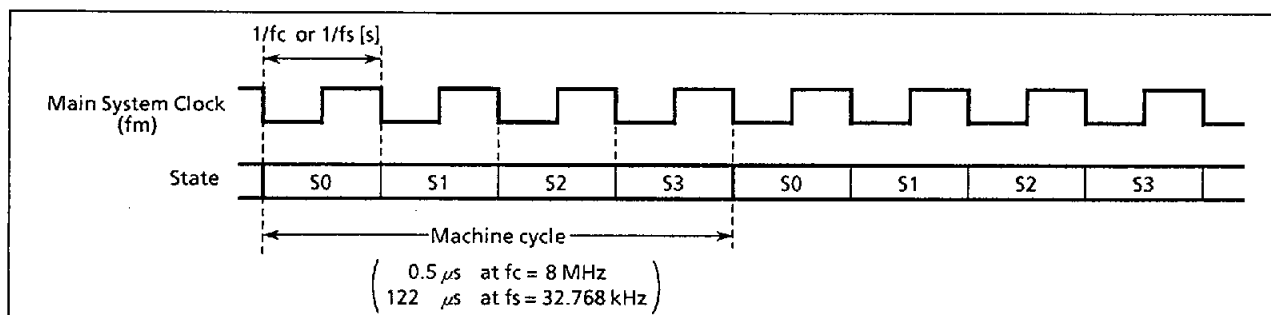


Figure 1-14. Machine Cycle

### 1.8.3 Stand-by Controller

The stand-by controller starts and stops the oscillation circuits for the high-frequency and low-frequency clocks, and switches the main system clock. There are two operating modes: single-clock and dual-clock. These modes are controlled by the system control registers (SYSCR1, SYSCR2).

Figure 1-15 shows the operating mode transition diagram and Figure 1-16 shows the system control registers. Either the single-clock or the dual-clock mode can be selected by an option during reset.

#### (1) Single-clock mode

Only the oscillation circuit for the high-frequency clock is used, and P21 (XTIN) and P22 (XTOUT) pins are used as input/output ports. In the single-clock mode, the machine cycle time is  $4/fc$  [s] ( $0.5 \mu\text{s}$  at  $fc = 8 \text{ MHz}$ ).

##### ① NORMAL1 mode

In this mode, both the CPU core and on-chip peripherals operate using the high-frequency clock. In the case where the single-clock mode has been selected as an option, the 87CH37/K37/M37 are placed in this mode after reset.

##### ② IDLE1 mode

In this mode, the internal oscillation circuit remains active. The CPU and the watchdog timer are halted; however, on-chip peripherals remain active (operate using the high-frequency clock). IDLE1 mode is started by setting IDLE bit in the system control register 2 (SYSCR2), and IDLE1 mode is released to NORMAL1 mode by an interrupt request from on-chip peripherals or external interrupt inputs. When IMF (interrupt master enable flag) is "1" (interrupt enable), the execution will resume upon acceptance of the interrupt, and the operation will return to normal after the interrupt service is completed. When IMF is "0" (interrupt disable), the execution will resume with the instruction which follows IDLE mode start instruction.

##### ③ STOP1 mode

In this mode, the internal oscillation circuit is turned off, causing all system operations to be halted. The internal status immediately prior to the halt is held with the lowest power consumption during this mode. The output status of all output ports can be set to either output hold or high-impedance under software control.

STOP1 mode is started by setting STOP bit in the system control register 1 (SYSCR1), and STOP1 mode is released by an input (either level-sensitive or edge-sensitive can be programmably selected) to the STOP pin. After the warming-up period is completed, the execution resumes with the next instruction which follows the STOP mode start instruction.

**(2) Dual-clock mode**

Both high-frequency and low-frequency oscillation circuits are used in this mode. Pins P21 (XTIN) and P22 (XTOUT) cannot be used as input/output ports. The main system clock is obtained from the high-frequency clock in NORMAL2 and IDLE2 modes, and is obtained from the low-frequency clock in SLOW and SLEEP modes. The machine cycle time is  $4/f_c$  [s] ( $0.5 \mu\text{s}$  at  $f_c = 8 \text{ MHz}$ ) in NORMAL2 and IDLE2 modes, and  $4/f_s$  [s] ( $122 \mu\text{s}$  at  $f_s = 32.768 \text{ kHz}$ ) in SLOW and SLEEP modes. *Note that the 87PM37 is placed in the single-clock mode during reset.* To use the dual-clock mode, the low-frequency oscillator should be turned on by executing [SET (SYSCR2).XTEN] instruction.

**① NORMAL2 mode**

In this mode, the CPU core operates using the high-frequency clock. On-chip peripherals operate using the high-frequency clock and / or low-frequency clock. In case that the dual-clock mode has been selected by an option, the 87CH37/K37/M37 are placed in this mode after reset.

**② SLOW mode**

This mode can be used to reduce power-consumption by turning off oscillation of the high-frequency clock. The CPU core and on-chip peripherals operate using the low-frequency clock.

Switching back and forth between NORMAL2 and SLOW modes is performed by the system control register 2.

**③ IDLE2 mode**

In this mode, the internal oscillation circuits remain active. The CPU and the watchdog timer are halted; however, on-chip peripherals remain active (operate using the high-frequency clock and / or the low-frequency clock). Starting and releasing of IDLE2 mode are the same as for IDLE1 mode, except that operation returns to NORMAL2 mode.

**④ SLEEP mode**

In this mode, the internal oscillation circuit of the low-frequency clock remains active. The CPU, the watchdog timer, and the internal oscillation circuit of the high-frequency clock are halted; however, on-chip peripherals remain active (operate using the low-frequency clock). Starting and releasing of SLEEP mode is the same as for IDLE1 mode, except that operation returns to SLOW mode.

**⑤ STOP2 mode**

As in STOP1 mode, all system operations are halted in this mode.

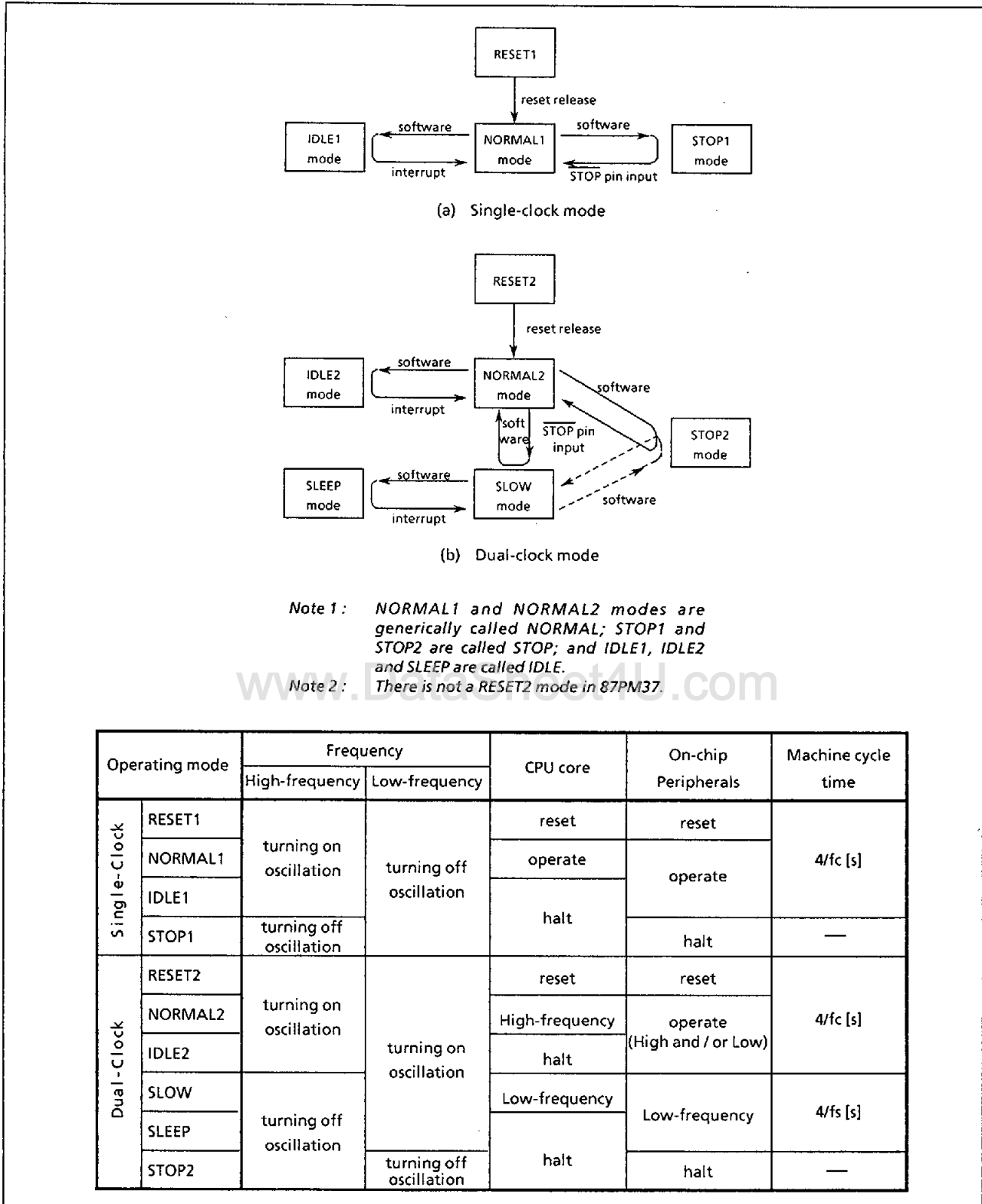


Figure 1-15. Operating Mode Transition Diagram

System Control Register 1									
SYSCR1 (0038 <sub>H</sub> )									
7	6	5	4 3 2 1 0						
STOP	RELM	RETM	OUTEN WUT						
(Initial value: 0000 00**)									
STOP	STOP mode start	0 : CPU core and peripherals remain active 1 : CPU core and peripherals are halted (start STOP mode)							
RELM	Release method for STOP mode	0 : Edge-sensitive release 1 : Level-sensitive release							
RETM	Operating mode after STOP mode	0 : Return to NORMAL mode 1 : Return to SLOW mode							
OUTEN	Port output control during STOP mode	0 : High-impedance 1 : Remain unchanged							
WUT	Warming-up time at releasing STOP mode	00 : $3 \times 2^{19} / f_c$ or $3 \times 2^{13} / f_s$ [s] 01 : $2^{19} / f_c$ or $2^{13} / f_s$ 1* : Reserved							
R/W									
<p><b>Note 1 :</b> Always set RETM to "0" when transiting from NORMAL1 mode to STOP1 mode and from NORMAL2 mode to STOP2 mode. Always set RETM to "1" when transiting from SLOW mode to STOP2 mode.</p> <p><b>Note 2 :</b> When STOP mode is released with <math>\overline{\text{RESET}}</math> pin input, a return is made to NORMAL mode regardless of the RETM contents.</p> <p><b>Note 3 :</b> <math>f_c</math> ; high-frequency clock [Hz] <math>f_s</math> ; low-frequency clock [Hz] * ; don't care</p> <p><b>Note 4 :</b> Bits 1 and 0 in SYSCR1 are read in as undefined data when a read instruction is executed.</p> <p><b>Note 5 :</b> If 87CH37/K37/M37 is moved to STOP mode while OUTEN = "0", internal inputs fix "0". Then there is a possibility to set interrupt of falling edge.</p>									
System Control Register 2									
SYSCR2 (0039 <sub>H</sub> )									
7	6	5	4 3 2 1 0						
XEN	XTEN	SYSCK	IDLE						
(Initial value: 10/100 ****)									
XEN	High-frequency oscillator control	0 : Turn off oscillation 1 : Turn on oscillation							
XTEN	Low-frequency oscillator control	0 : Turn off oscillation 1 : Turn on oscillation							
SYSCK	Main system clock select (write) / main system clock monitor (read)	0 : High-frequency clock 1 : Low-frequency clock							
IDLE	IDLE mode start	0 : CPU and watchdog timer remain active 1 : CPU and watchdog timer are stopped (start IDLE mode)							
R/W									
<p><b>Note 1 :</b> A reset is applied (<math>\overline{\text{RESET}}</math> pin output goes low) if both XEN and XTEN are cleared to "0".</p> <p><b>Note 2 :</b> Do not clear XEN to "0" when SYSCK = 0, and do not clear XTEN to "0" when SYSCK = 1.</p> <p><b>Note 3 :</b> * ; don't care</p> <p><b>Note 4 :</b> Bits 3 - 0 in SYSCR2 are always read in as "1" when a read instruction is executed.</p> <p><b>Note 5 :</b> An optional initial value can be selected for XTEN. Always specify when ordering ES (engineering sample). Initial value of XTEN in 87PM37 is "0".</p>									
<table border="1"> <thead> <tr> <th>XTEN</th> <th>operating mode after reset</th> </tr> </thead> <tbody> <tr> <td>0</td> <td>Single-clock mode (NORMAL1)</td> </tr> <tr> <td>1</td> <td>Dual-clock mode (NORMAL2)</td> </tr> </tbody> </table>				XTEN	operating mode after reset	0	Single-clock mode (NORMAL1)	1	Dual-clock mode (NORMAL2)
XTEN	operating mode after reset								
0	Single-clock mode (NORMAL1)								
1	Dual-clock mode (NORMAL2)								

Figure 1-16. System Control Registers

## 1.8.4 Operating Mode Control

### (1) STOP mode (STOP1, STOP2)

STOP mode is controlled by the system control register 1 (SYSCR1) and the  $\overline{\text{STOP}}$  pin input. The  $\overline{\text{STOP}}$  pin is also used both as a port P20 and an  $\overline{\text{INT5}}$  (external interrupt input 5) pin. STOP mode is started by setting STOP (bit 7 in SYSCR1) to "1". During STOP mode, the following status is maintained.

- ① Oscillations are turned off, and all internal operations are halted.
- ② The data memory, registers (except DBR) and port output latches are all held in the status in effect before STOP mode was entered. The port output can be select either output hold or high-impedance by setting OUTEN ( bit 4 in SYSCR1).
- ③ The divider of the timing generator is cleared to "0".
- ④ The program counter holds the address of the instruction following the instruction which started the STOP mode.

STOP mode includes a level-sensitive release mode and an edge-sensitive release mode, either of which can be selected with RELM (bit 6 in SYSCR1).

#### a. Level-sensitive release mode (RELM = 1)

In this mode, STOP mode is released by setting the  $\overline{\text{STOP}}$  pin high. This mode is used for capacitor back-up when the main power supply is cut off and long term battery back-up.

When the  $\overline{\text{STOP}}$  pin input is high, executing an instruction which starts the STOP mode will not place in STOP mode but instead will immediately start the release sequence (warm-up). Thus, to start STOP mode in the level-sensitive release mode, it is necessary for the program to first confirm that the  $\overline{\text{STOP}}$  pin input is low. The following method can be used for confirmation:

Using an external interrupt input  $\overline{\text{INT5}}$  ( $\overline{\text{INT5}}$  is a falling edge-sensitive input).

Example : Starting STOP mode with an INT5 interrupt.

```

PINT5 : TEST (P2) . 0 ; To reject noise, the STOP mode does not start if
          JRS F, SINT5 ; port P20 is at high
          LD (SYSCR1), 01000000B ; Sets up the level-sensitive release mode.
          SET (SYSCR1) . 7 ; Starts STOP mode
          LDW (IL), 1110011101010111B ; IL12, 11, 7, 5, 3 ← 0 (Clears interrupt latches)
SINT5 : RETI
  
```

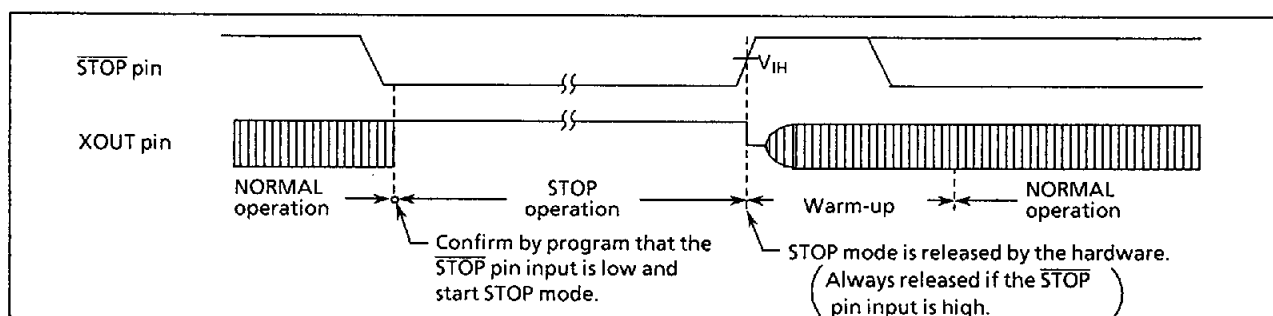


Figure 1-17. Level-sensitive Release Mode

Note1 : After warming up is started, when  $\overline{\text{STOP}}$  pin input is changed "L" level, STOP mode is not placed.

Note2 : When changing to the level-sensitive release mode from the edge-sensitive release mode, the release mode is not switched until a rising edge of the  $\overline{\text{STOP}}$  pin input is detected.

### b. Edge-sensitive release mode (RELM = 0)

In this mode, STOP mode is released by a rising edge of the  $\overline{\text{STOP}}$  pin input. This is used in applications where a relatively short program is executed repeatedly at periodic intervals. This periodic signal (for example, a clock from a low-power consumption oscillator) is input to the  $\overline{\text{STOP}}$  pin.

In the edge-sensitive release mode, STOP mode is started even when the  $\overline{\text{STOP}}$  pin input is high.

Example : Starting STOP mode operation in the edge-sensitive release mode

```
LD (SYSCR1), 00000000B ; OUTEN ← 0 (specifies high-impedance)
DI ; IMF ← 0 (disables interrupt service)
SET (SYSCR1). STOP ; STOP ← 1 (activates stop mode)
LDW (IL), 111001110101111B ; IL12, 11, 7, 5, 3 ← 0
; (clears interrupt latches)
EI ; IMF ← 1 (enables interrupt service)
```

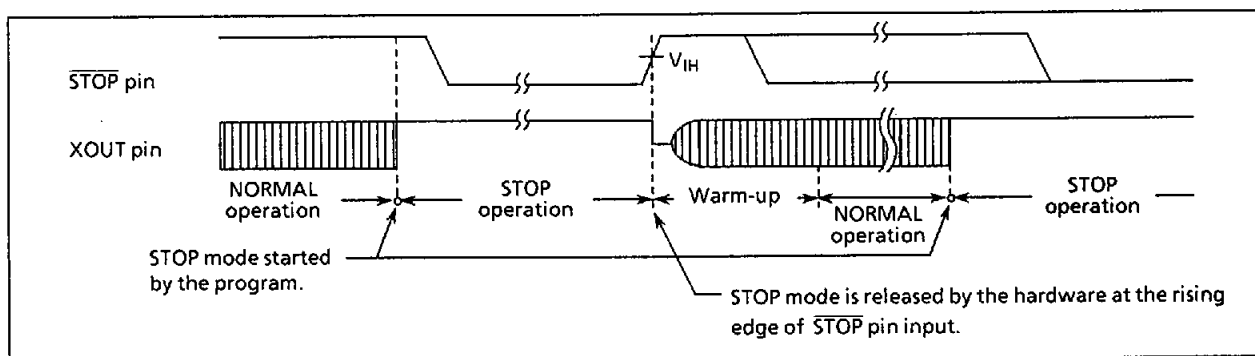


Figure 1-18. Edge-sensitive Release Mode

STOP mode is released by the following sequence:

- ① When returning to NORMAL2, both the high-frequency and low-frequency clock oscillators are turned on ; when returning to SLOW mode, only the low-frequency clock oscillator is turned on. When returning to NORMAL1, only the high-frequency clock oscillator is turned on.
- ② A warming-up period is inserted to allow oscillation time to stabilize. During warm-up, all internal operations remain halted. Two different warming-up times can be selected with WUT ( bits 2 and 3 in SYSCR1) as determined by the resonator characteristics.
- ③ When the warming-up time has elapsed, normal operation resumes with the instruction following the STOP mode start instruction (e.g. [SET (SYSCR1). 7]). The start is made after the divider of the timing generator is cleared to "0".

Table 1-1. Warming-up Time Example

WUT	Return to NORMAL mode		Return to SLOW mode	
	At $f_c = 4.194304$ MHz	At $f_c = 8$ MHz	WUT	At $f_s = 32.768$ kHz
$3 \times 2^{19}/f_c$ [s]	375 [ms]	196.6 [ms]	$3 \times 2^{13}/f_s$ [s]	750 [ms]
$2^{19}/f_c$	125	65.5	$2^{13}/f_s$	250

**Note :** The warming-up time is obtained by dividing the basic clock by the divider: therefore, the warming-up time may include a certain amount of error if there is any fluctuation of the oscillation frequency when STOP mode is released. Thus, the warming-up time must be considered an approximate value.



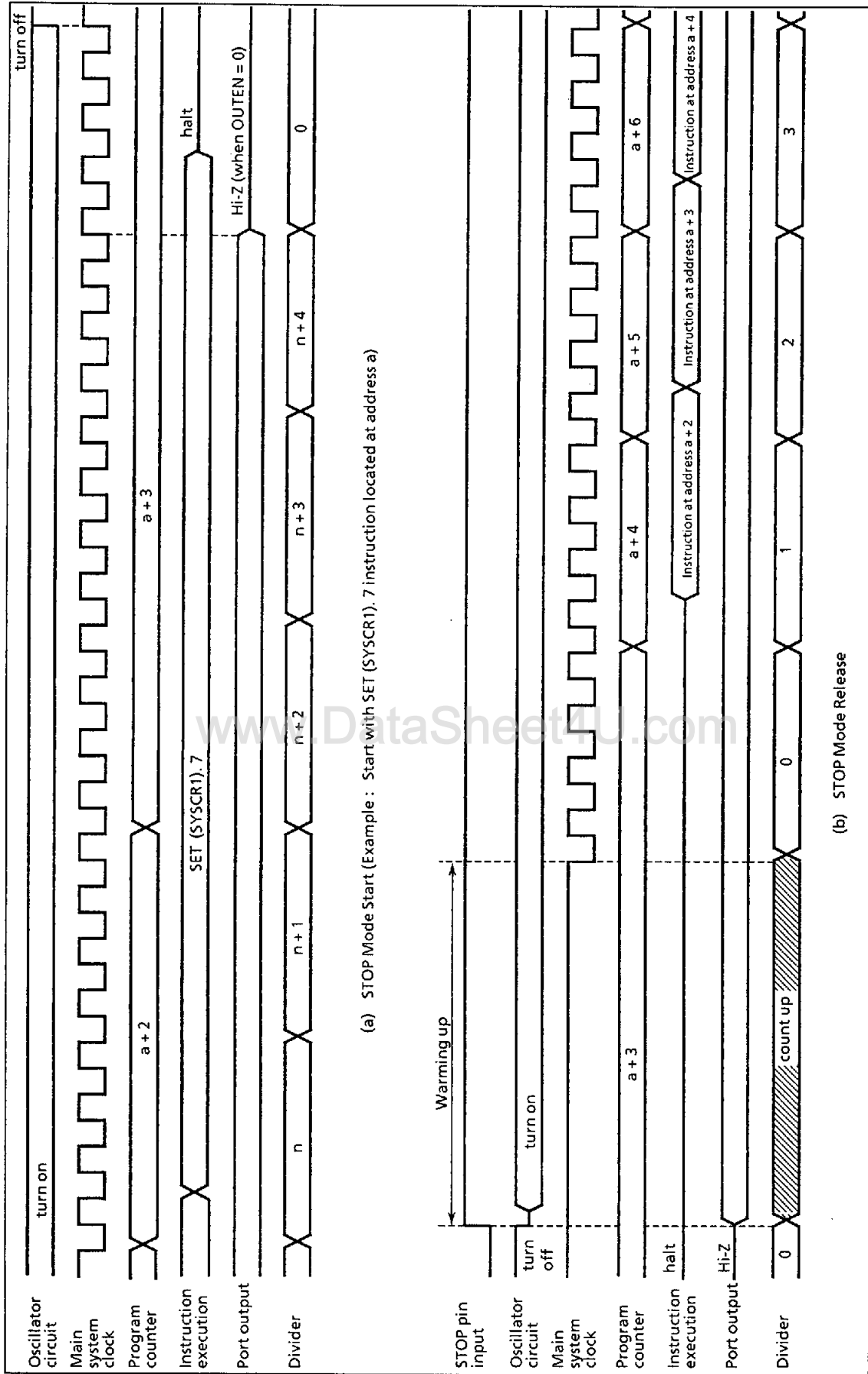


Figure 1-19. STOP Mode Start / Release

STOP mode can also be released by setting the  $\overline{\text{RESET}}$  pin low, which immediately performs the normal reset operation. 87CH37/CK37/M37 restarts NORMAL2 mode (NORMAL1 mode at 87PM37), even if setting is returning to SLOW mode.

**Note :** When STOP mode is released with a low hold voltage, the following cautions must be observed.

The power supply voltage must be at the operating voltage level before releasing STOP mode. The  $\overline{\text{RESET}}$  pin input must also be high, rising together with the power supply voltage. In this case, if an external time constant circuit has been connected, the  $\overline{\text{RESET}}$  pin input voltage will increase at a slower rate than the power supply voltage. At this time, there is a danger that a reset may occur if input voltage level of the  $\overline{\text{RESET}}$  pin drops below the non-inverting high-level input voltage (hysteresis input).

## (2) IDLE mode (IDLE1, IDLE2, SLEEP)

IDLE mode is controlled by the system control register 2 and maskable interrupts. The following status is maintained during IDLE mode.

- ① Operation of the CPU and watchdog timer is halted. On-chip peripherals continue to operate.
- ② The data memory, CPU registers and port output latches are all held in the status in effect before IDLE mode was entered.
- ③ The program counter holds the address of the instruction following the instruction which started IDLE mode.

Example : Starting IDLE mode.

```
SET (SYSCR2).4 ; IDLE←1
```

IDLE mode includes a normal release mode and an interrupt release mode. Selection is made with the interrupt master enable flag (IMF). Releasing the IDLE mode returns from IDLE1 to NORMAL1, from IDLE2 to NORMAL2, and from SLEEP to SLOW mode.

### a. Normal release mode (IMF = "0")

IDLE mode is released by any interrupt source enabled by the individual interrupt enable flag (EF) or an external interrupt 0 ( $\text{INT}\overline{0}$  pin) request. Execution resumes with the instruction following the IDLE mode start instruction (e.g. [SET (SYSCR2).4]). Normally, IL (Interrupt Latch) of interrupt source to release IDLE mode must be cleared by load instructions.

### b. Interrupt release mode (IMF = "1")

IDLE mode is released and interrupt processing is started by any interrupt source enabled with the individual interrupt enable flag (EF) or an external interrupt 0 ( $\text{INT}\overline{0}$  pin) request. After the interrupt is processed, the execution resumes from the instruction following the instruction which started IDLE mode.

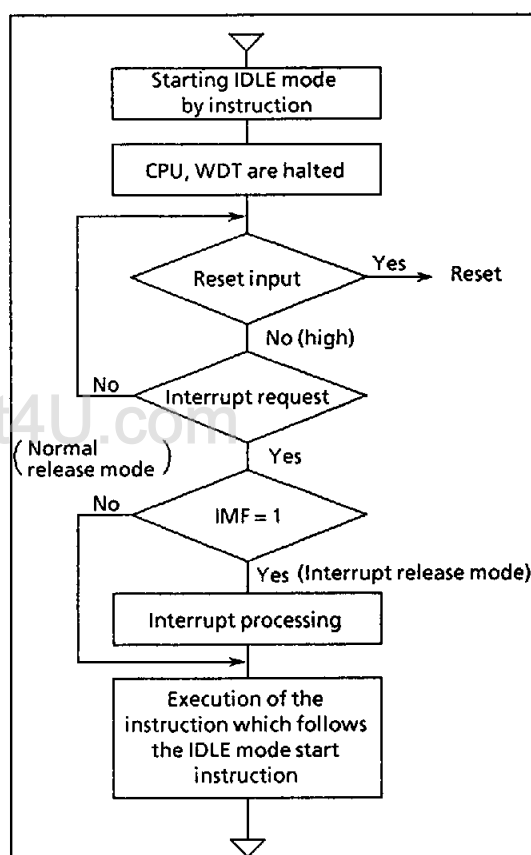


Figure 1-20. IDLE Mode

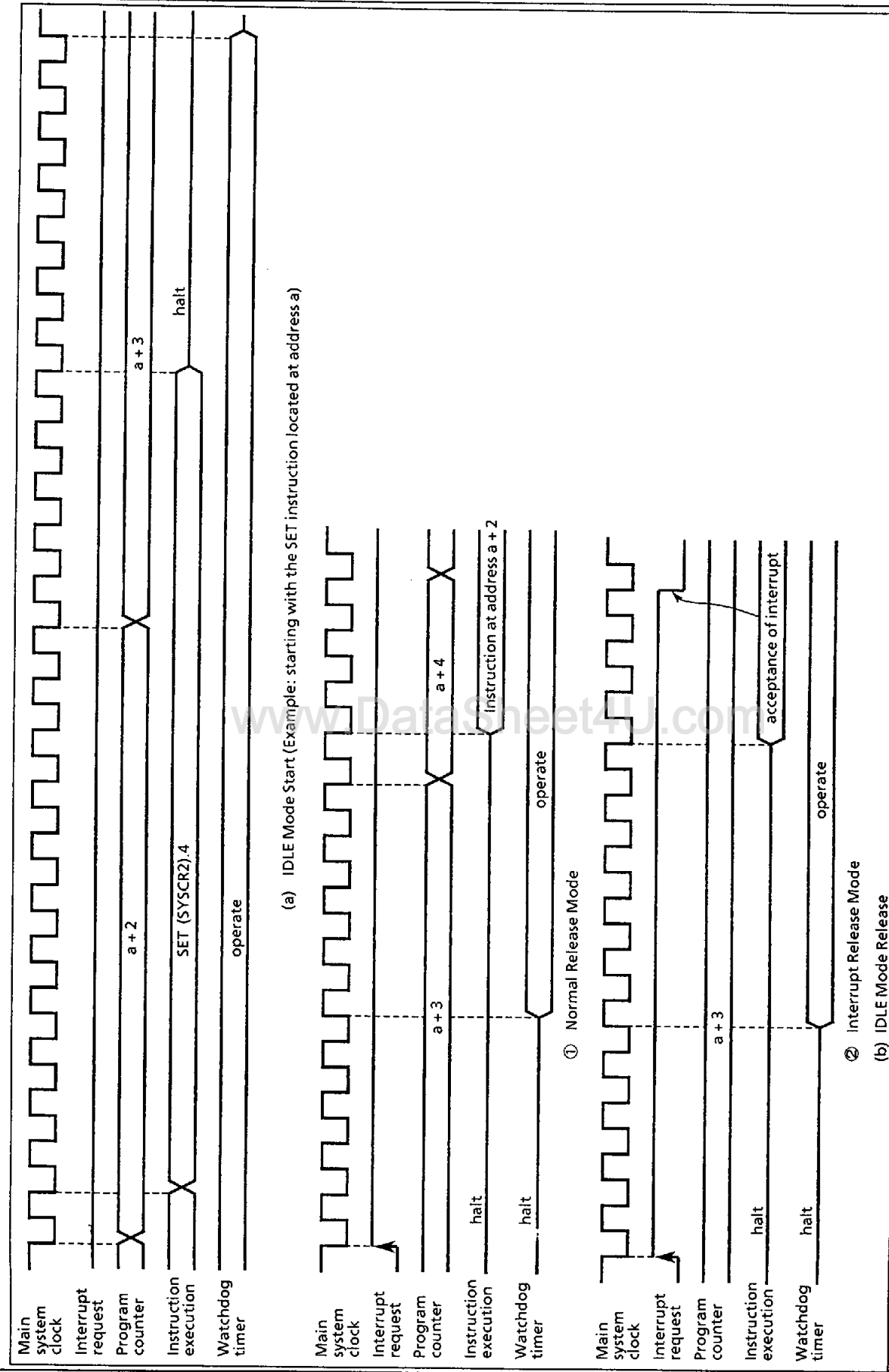


Figure 1-21. IDLE Mode Start / Release

IDLE mode can also be released by setting the  $\overline{\text{RESET}}$  pin low, which immediately performs the reset operation. After reset, the 87CH37/K37/M37 are placed in NORMAL mode.

*Note :* When a watchdog timer interrupt is generated immediately before the IDLE mode is started, the watchdog timer interrupt will be processed but IDLE mode will not be started.

### (3) SLOW mode

SLOW mode is controlled by the system control register 2 and the timer / counter 2.

#### a. Switching from NORMAL2 mode to SLOW mode

First, set SYSCK (bit 5 in SYSCR2) to switch the main system clock to the low-frequency clock. Next, clear XEN (bit 7 in SYSCR2) to turn off high-frequency oscillation.

When the low-frequency clock oscillation is unstable, wait until oscillation stabilizes before performing the above operations. The timer / counter 2 (TC2) can conveniently be used to confirm that low-frequency clock oscillation has stabilized.

*Note :* The high frequency clock can be continued oscillation in order to return to NORMAL2 mode from SLOW mode quickly. Always turn off oscillation of high frequency clock when switching from SLOW mode to STOP mode.

Example1 : Switching from NORMAL2 mode to SLOW mode.

```
SET    (SYSCR2).5      ; SYSCK←1 (Switches the main system clock to the
                        low-frequency clock)
CLR    (SYSCR2).7      ; XEN←0   (turns off high-frequency oscillation)
```

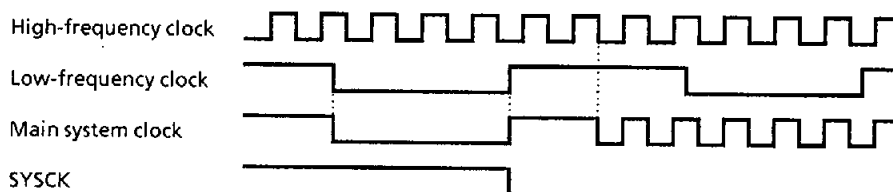
Example2 : Switching to SLOW mode after low-frequency clock oscillation has stabilized.

```
LD     (TC2CR), 14H    ; Sets TC2 mode
                        (timer mode, source clock : fs)
LDW    (TREG2), 8000H  ; Sets warming-up time
                        (according to Xtal characteristics)
SET    (EIRH).EF14    ; INTTC2 interrupt enable
LD     (TC2CR), 34H    ; Starts TC2
      :
PINTTC2 : LD          (TC2CR), 10H ; Stops TC2
        SET    (SYSCR2).5      ; SYSCK←1
        CLR    (SYSCR2).7      ; XEN←0
        RETI
      :
VINTTC2 : DW          PINTTC2 ; INTTC2 vector table
```

#### b. Switching from SLOW mode to NORMAL2 mode

First, set XEN (bit 7 in SYSCR2) to turn on the high-frequency oscillation. When time for stabilization (warm-up) has been taken by the timer / counter 2 (TC2), clear SYSCK (bit 5 in SYSCR2) to switch the main system clock to the high-frequency clock.

**Note1 :** After SYSCK is cleared, executing instructions is continued by low-frequency clock while low-frequency clock and high-frequency clock synchronize each other.

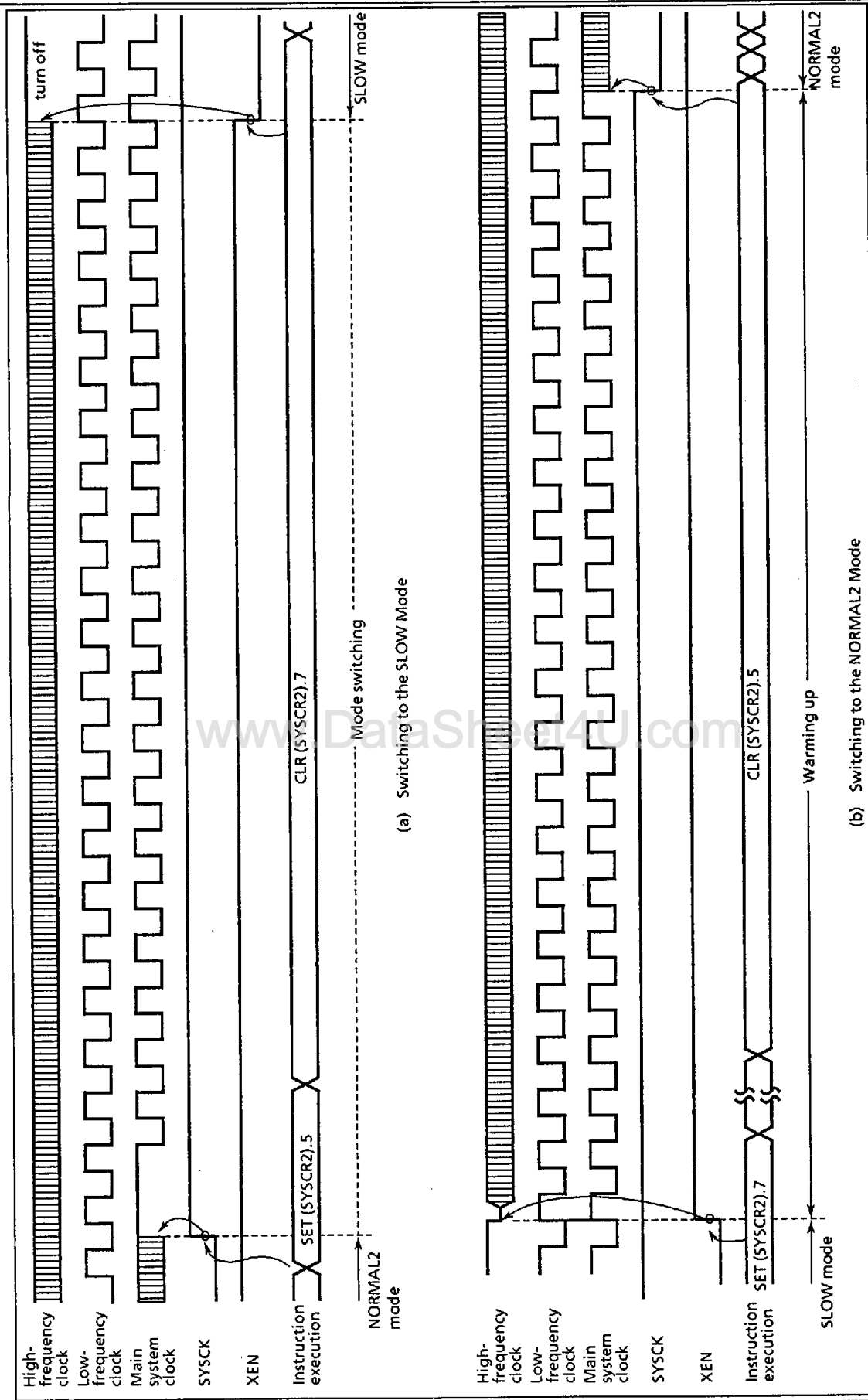


**Note2 :** SLOW mode can also be released by setting the RESET pin low, which immediately performs the reset operation. After reset, the 87CH37/CK37/M37 are placed in NORMAL2 mode. (The 87PM37 is placed in NORMAL1 mode.)

**Example :** Switching from SLOW mode to NORMAL2 mode ( $f_c = 8$  MHz, warming-up time is about 7.9 ms).

```

SET  (SYSCR2) . 7      ; XEN←1 (turns on high-frequency oscillation)
LD   (TC2CR), 10H     ; Sets TC2 mode
                          (timer mode, source clock: fc)
LD   (TREG2 + 1), 0F8H ; Sets the warming-up time
                          (according to frequency and resonator
                          characteristics)
SET  (EIRH). EF14     ; INTTC2 interrupt enable
LD   (TC2CR), 30H     ; Starts TC2
⋮
PINTTC2 : LD (TC2CR), 10H ; Stops TC2
          CLR (SYSCR2) . 5 ; SYSCK←0 (Switches the main system clock to the
          ; high-frequency clock)
          RETI
          ⋮
VINTTC2 : DW  PINTTC2   ; INTTC2 vector table
  
```



(a) Switching to the SLOW Mode

(b) Switching to the NORMAL2 Mode

Figure 1-22. Switching between the NORMAL2 and SLOW Modes

## 1.9 Interrupt Controller

The 87CH37/K37/M37 has a total of 15 interrupt sources: 6 externals and 9 internals. Nested interrupt control with priorities is also possible. Two of the internal sources are pseudo non-maskable interrupts; the remainder are all maskable interrupts.

Interrupt latches (IL) that hold the interrupt requests are provided for interrupt sources. Each interrupt vector is independent.

The interrupt latch is set to "1" when an interrupt request is generated and requests the CPU to accept the interrupt. The acceptance of maskable interrupts can be selectively enabled and disabled by the program using the interrupt master enable flag (IMF) and the individual interrupt enable flags (EF). When two or more interrupts are generated simultaneously, the interrupt is accepted in the highest priority order as determined by the hardware. Figure 1-23 shows the interrupt controller.

Table 1-2. Interrupt Sources

Interrupt Source		Enable Condition	Interrupt Latch	Vector Table Address	Priority
Internal/ External	(Reset)	Non-Maskable	—	FFFE <sub>H</sub>	High 0
Internal	INTSW (Software interrupt)	Pseudo	—	FFFC <sub>H</sub>	1
Internal	INTWDT (Watchdog Timer interrupt)	non-maskable	IL <sub>2</sub>	FFFA <sub>H</sub>	2
External	INT0 (External interrupt 0)	IMF = 1, INTOEN = 1	IL <sub>3</sub>	FFF8 <sub>H</sub>	3
Internal	INTTC1 (16-bit TC1 interrupt)	IMF · EF <sub>4</sub> = 1	IL <sub>4</sub>	FFF6 <sub>H</sub>	4
External	INT1 (External interrupt 2)	IMF · EF <sub>5</sub> = 1	IL <sub>5</sub>	FFF4 <sub>H</sub>	5
Internal	INTTBT (Time Base Timer interrupt)	IMF · EF <sub>6</sub> = 1	IL <sub>6</sub>	FFF2 <sub>H</sub>	6
External	INT2 (External interrupt 2)	IMF · EF <sub>7</sub> = 1	IL <sub>7</sub>	FFF0 <sub>H</sub>	7
Internal	INTTC3 (8-bit TC3 interrupt)	IMF · EF <sub>8</sub> = 1	IL <sub>8</sub>	FFEE <sub>H</sub>	8
Internal	INTSBI (Serial Bus Interface interrupt)	IMF · EF <sub>9</sub> = 1	IL <sub>9</sub>	FFEC <sub>H</sub>	9
Internal	INTTC4 (8-bit TC4 interrupt)	IMF · EF <sub>10</sub> = 1	IL <sub>10</sub>	FFEA <sub>H</sub>	10
External	INT3 (External interrupt 3, Remote control receive interrupt)	IMF · EF <sub>11</sub> = 1	IL <sub>11</sub>	FFE8 <sub>H</sub>	11
External	INT4 (External interrupt 4)	IMF · EF <sub>12</sub> = 1	IL <sub>12</sub>	FFE6 <sub>H</sub>	12
Internal	INTOSD (OSD interrupt)	IMF · EF <sub>13</sub> = 1	IL <sub>13</sub>	FFE4 <sub>H</sub>	13
Internal	INTTC2 (16-bit TC2 interrupt)	IMF · EF <sub>14</sub> = 1	IL <sub>14</sub>	FFE2 <sub>H</sub>	14
External	INT5 (External interrupt 5)	IMF · EF <sub>15</sub> = 1	IL <sub>15</sub>	FFE0 <sub>H</sub>	Low 15

### (1) Interrupt Latches (IL<sub>15</sub> to 2)

Interrupt latches are provided for each source, except for a software interrupt. The latch is set to "1" when an interrupt request is generated, and requests the CPU to accept the interrupt. The latch is cleared to "0" just after the interrupt is accepted. All interrupt latches are initialized to "0" during reset. They must be cleared to "0" by software before enabling interrupt.

The interrupt latches are assigned to addresses 003C<sub>H</sub> and 003D<sub>H</sub> in the SFR. Each latch can be cleared to "0" individually by an instruction; however, *the read-modify-write instruction such as bit manipulation or operation instructions cannot be used*. Thus, interrupt requests can be cancelled and initialized by the program. Don't clear the IL<sub>2</sub> for a watchdog timer interrupt to "0". Note that interrupt latches cannot be set to "1" by any instruction.

The contents of interrupt latches can be read out by an instruction. Therefore, testing interrupt requests by software is possible.

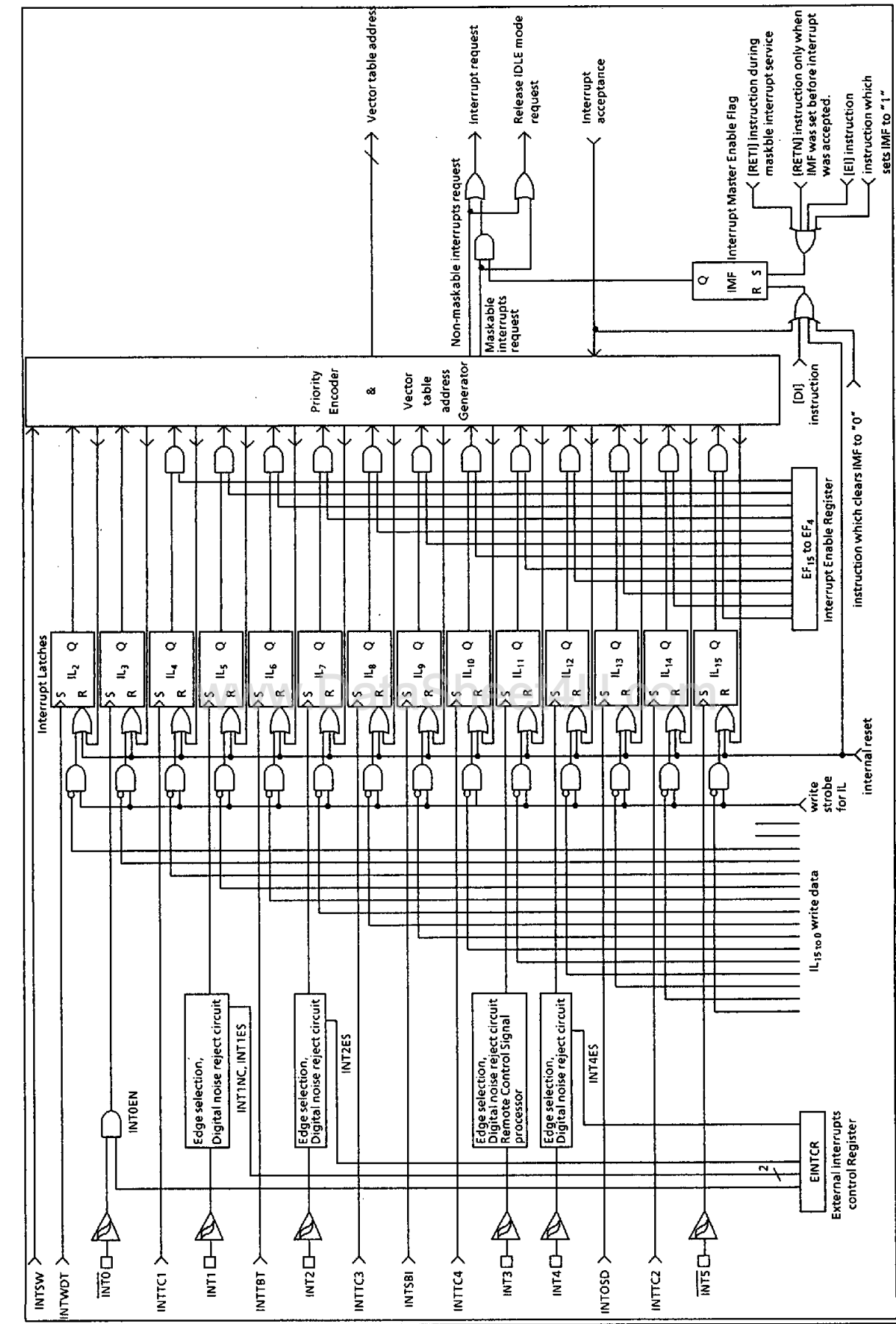


Figure 1-23. Interrupt Controller Block Diagram



Example 1 : Clears interrupt latches

```
LDW    (IL), 1110100000111111B ; IL12, IL10 to IL6 ← 0
```

Example 2 : Reads interrupt latches

```
LD     WA, (IL) ; W ← ILH, A ← ILL
```

Example 3: Tests an interrupt latch

```
TEST   (IL).7 ; if IL7 = 1 then jump
JR     F, SSET
```

## (2) Interrupt Enable Register (EIR)

The interrupt enable registers (EIR) enable and disable the acceptance of interrupts except for the pseudo non-maskable interrupts (software and watchdog timer interrupts). Pseudo non-maskable interrupts are accepted regardless of the contents of the EIR; however, the pseudo non-maskable interrupts cannot be nested more than once at the same time. For example, the watchdog timer interrupt is not accepted during the software interrupt service.

The EIR consists of an interrupt master enable flag (IMF) and individual interrupt enable flags (EF). These registers are assigned to addresses 003A<sub>H</sub> and 003B<sub>H</sub> in the SFR, and can be read and written by an instruction (including read-modify-write instructions such as bit manipulation instructions).

### ① Interrupt Master enable Flag (IMF)

The interrupt master enable flag (IMF) enables and disables the acceptance of all interrupts, except for pseudo non-maskable interrupts. Clearing this flag to "0" disables the acceptance of all maskable interrupts. Setting to "1" enables the acceptance of interrupts. When an interrupt is accepted, this flag is cleared to "0" to temporarily disable the acceptance of maskable interrupts. After execution of the interrupt service program, this flag is set to "1" by the maskable interrupt return instruction [RETI] to again enable the acceptance of interrupts. If an interrupt request has already been occurred, interrupt service starts immediately after execution of the [RETI] instruction.

Pseudo non-maskable interrupts are returned by the [RETN] instruction. In this case, the IMF is set to "1" only when pseudo non-maskable interrupt service is started with interrupt acceptance enabled (IMF = 1). Note that the IMF remains "0" when cleared by the interrupt service program.

The IMF is assigned to bit 0 at address 003A<sub>H</sub> in the SFR, and can be read and written by an instruction. The IMF is normally set and cleared by the [EI] and [DI] instructions, and the IMF is initialized to "0" during reset.

### ② Individual interrupt Enable Flags (EF<sub>15</sub> to EF<sub>4</sub>)

These flags enable and disable the acceptance of individual maskable interrupts, except for an external interrupt 0. Setting the corresponding bit of an individual interrupt enable flag to "1" enables acceptance of an interrupt, setting the bit to "0" disables acceptance.

Example 1 : Sets EF for individual interrupt enable, and sets IMF to "1".

```
LDW    (EIR), 1110100010100001B ; EF15 to EF13, EF11, EF7, EF5, IMF ← 1
```

Example 2 : Sets an individual interrupt enable flag to "1".

```
SET    (EIRH).4 ; EF12 ← 1
```

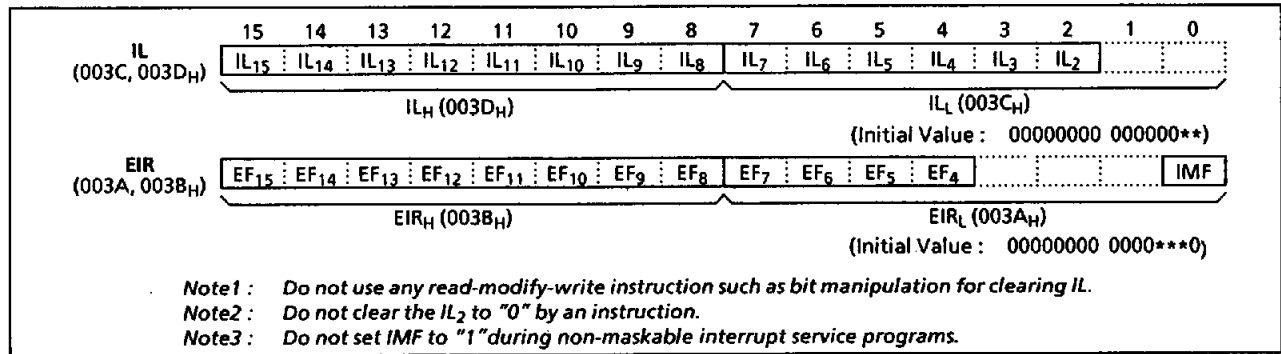


Figure 1-24. Interrupt Latch (IL) and Interrupt Enable Register (EIR)

### 1.9.1 Interrupt Sequence

An interrupt request is held until the interrupt is accepted or the interrupt latch is cleared to "0" by a reset or an instruction. Interrupt acceptance sequence requires 8 machine cycles (4  $\mu$ s at  $f_c = 8$  MHz in NORMAL mode) after the completion of the current instruction execution. The interrupt service task terminates upon execution of an interrupt return instruction [RETI] (for maskable interrupts) or [RETN] (for pseudo non-maskable interrupts).

(1) Interrupt acceptance processing is as follows:

- ① The interrupt master enable flag (IMF) is cleared to "0" to temporarily disable the acceptance of any following maskable interrupts. When a non-maskable interrupt is accepted, the acceptance of any following interrupts is temporarily disabled.
- ② The interrupt latch (IL) for the interrupt source accepted is cleared to "0".
- ③ The contents of the program counter (return address) and the program status word are saved (pushed) onto the stack. The stack pointer is decremented 3 times.
- ④ The entry address of the interrupt service program is read from the vector table address, and the entry address is loaded to the program counter.
- ⑤ The instruction stored at the entry address of the interrupt service program is executed.

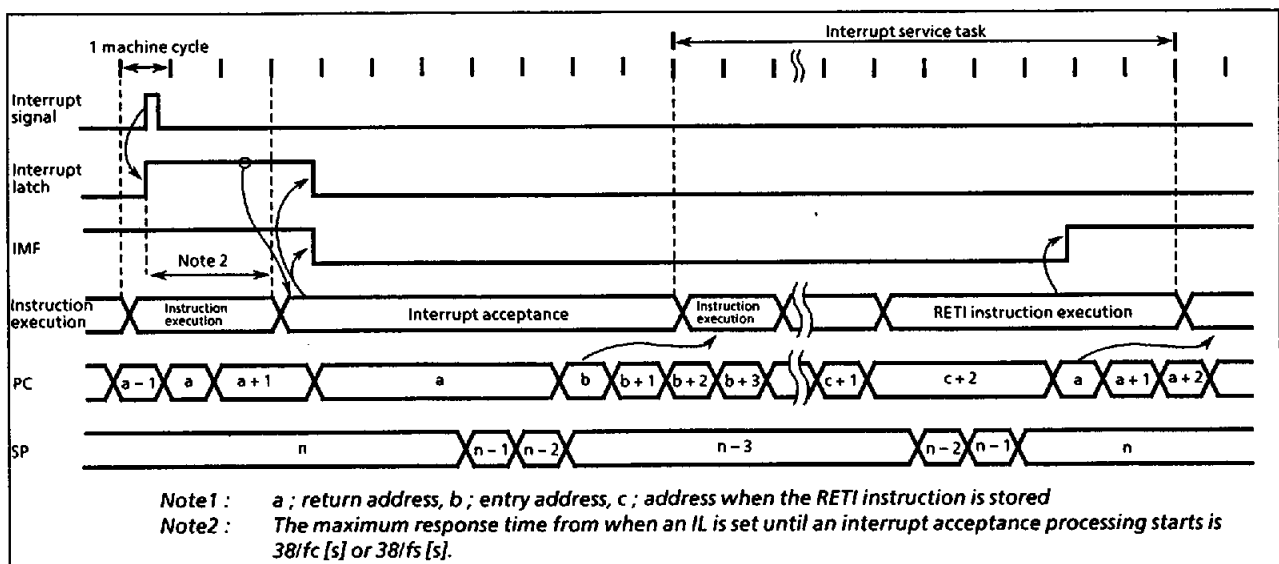
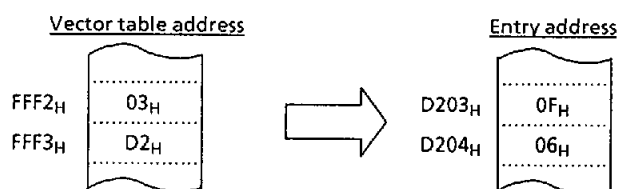


Figure 1-25. Timing Chart of Interrupt Acceptance and Interrupt Return Instruction

Example : Correspondence between vector table address for INTTBT and the entry address of the interrupt service program.



A maskable interrupt is not accepted until the IMF is set to "1" even if a maskable interrupt of higher priority than that of the current interrupt being serviced.

When nested interrupt service is necessary, the IMF is set to "1" in the interrupt service program. In this case, acceptable interrupt sources are selectively enabled by the individual interrupt enable flags. However, an acceptance of external interrupt 0 cannot be disabled by the EF; therefore, if disablement is necessary, either the external interrupt function of the  $\overline{\text{INT0}}$  pin must be disabled with INTOEN in the external interrupt control register (EINTCR) or interrupt processing must be avoided by the program.

Example 1 : Disables an external interrupt 0 using INTOEN:

```
LD      (EINTCR), 00000008 ; INTOEN ← 0
```

Example 2 : Disables the processing of external interrupt 0 under the software control (using bit 0 at address 00F0<sub>H</sub> as the interrupt processing disable switch):

```
PINT0 : TEST  (00F0H).0      ; Returns without interrupt processing if (00F0H).0 = 1
        JRS   T, SINT0
        RETI
SINT0 : Interrupt processing
        RETI
VINT0 : DW    PINT0
```

## (2) Saving / Restoring General Purpose Registers

During interrupt acceptance processing, the program counter and the program status word are automatically saved on the stack, but not the accumulator and other registers. These registers are saved by the program if necessary. Also, when nesting multiple interrupt services, it is necessary to avoid using the same data memory area for saving registers.

The following method is used to save / restore the general-purpose registers:

### ① General-purpose register save / restore by register bank changeover:

General-purpose registers can be saved at high-speed by switching to a register bank that is not in use. Normally, bank 0 is used for the main task and banks 1 to 15 are assigned to interrupt service tasks. To increase the efficiency of data memory utilization, the same bank is assigned for interrupt sources which are not nested.

The switched bank is automatically restored by executing an interrupt return instruction [RETI] or [RETN]. Therefore, it is not necessary for a program to save the RBS.

Example : Register Bank Changeover

```
PINTxx : LD   RBS, n      ; Switches to bank n (1 μs at 8 MHz)
        interrupt processing
        RETI              ; Restores bank and Returns
```

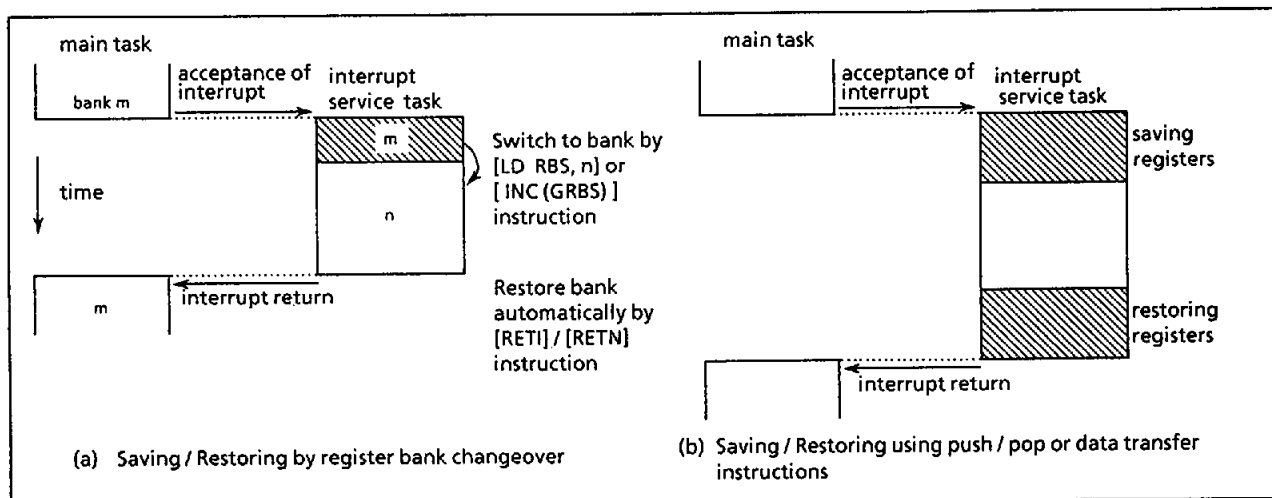


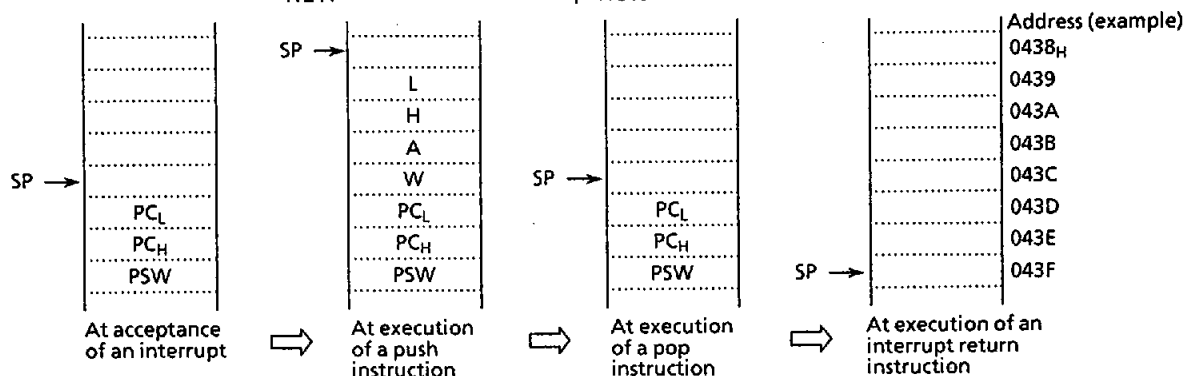
Figure 1-26. Saving / Restoring General-purpose Registers

- ② General-purpose register save/restore using push and pop instructions:  
To save only a specific register, and when the same interrupt source occurs more than once, the general-purpose registers can be saved / restored using push/pop instructions.

Example : Register save using push and pop instructions

```

PINTxx :  PUSH  WA          ; Save WA register pair
          PUSH  HL          ; Save HL register pair
          [interrupt processing]
          POP   HL          ; Restore HL register pair
          POP   WA          ; Restore WA register pair
          RETI              ; Return
  
```



- ③ General-purpose registers save / restore using data transfer instruction:  
Data transfer instructions can be used to save only a specific general-purpose register during processing of a single interrupt.

Example : Saving / restoring a register using data transfer instructions

```

PINTxx :  LD    (GSAVA), A   ; Save A register
          [interrupt processing]
          LD    A, (GSAVA)  ; Restore A register
          RETI              ; Return
  
```

(3) The interrupt return instructions [RETI] / [RETN] perform the following operations.

[RETI] Maskable interrupt return	[RETN] Non-maskable interrupt return
① The contents of the program counter and the program status word are restored from the stack.	① The contents of the program counter and program status word are restored from the stack.
② The stack pointer is incremented 3 times.	② The stack pointer is incremented 3 times.
③ The interrupt master enable flag is set to "1".	③ The interrupt master enable flag is set to "1" only when a non-maskable interrupt is accepted in interrupt enable status. However, the interrupt master enable flag remains at "0" when so clear by an interrupt service program.

Interrupt requests are sampled during the final cycle of the instruction being executed. Thus, the next interrupt can be accepted immediately after the interrupt return instruction is executed.

*Note :* When the interrupt processing time is longer than the interrupt request generation time, the interrupt service task is performed but not the main task.

### 1.9.2 Software Interrupt (INTSW)

Executing the [SWI] instruction generates a software interrupt and immediately starts interrupt processing (INTSW is highest prioritized interrupt). However, if processing of a non-maskable interrupt is already underway, executing the SWI instruction will not generate a software interrupt but will result in the same operation as the [NOP] instruction. Thus, the [SWI] instruction behaves like the [NOP] instruction.

*Note :* At the development tool, if processing of a non-maskable interrupt is already underway, executing the SWI instruction will generate a software interrupt as a soft ware brake.

Use the [SWI] instruction only for detection of the address error or for debugging.

#### ① Address Error Detection

FF<sub>H</sub> is read if for some cause such as noise the CPU attempts to fetch an instruction from a non-existent memory address. Code FF<sub>H</sub> is the SWI instruction, so a software interrupt is generated and an address error is detected. The address error detection range can be further expanded by writing FF<sub>H</sub> to unused areas of the program memory. The address trap reset is generated in case that an instruction is fetched from RAM or SFR areas.

*Note :* The fetch data from addresses 7F80<sub>H</sub> to 7FFF<sub>H</sub> (test ROM area) is not "FF<sub>H</sub>".

#### ② Debugging

Debugging efficiency can be increased by placing the SWI instruction at the software break point setting address.

### 1.9.3 External Interrupts

The 87CH37/K37/M37 each have six external interrupt inputs ( $\overline{\text{INT0}}$ , INT1, INT2, INT3, INT4, and  $\overline{\text{INT5}}$ ). Four of these are equipped with digital noise rejection circuits (pulse inputs of less than a certain time are eliminated as noise). Edge selection is also possible with INT1, INT2, INT3 and INT4.

The  $\overline{\text{INT0}}$  / P10 pin can be configured as either an external interrupt input pin or an input/output port, and is configured as an input port during reset.

Edge selection, noise rejection control except INT3 pin input and  $\overline{\text{INT0}}$  / P10 pin function selection are performed by the external interrupt control register (EINTCR). Edge selecting and noise rejection control for INT3 pin input are performed by the Remote control signal preprocessor control registers. (refer to the section of the Remote control signal preprocessor.) When  $\text{INT0EN} = 0$ , the  $\text{IL}_3$  will not be set even if the falling edge of  $\overline{\text{INT0}}$  pin input is detected.

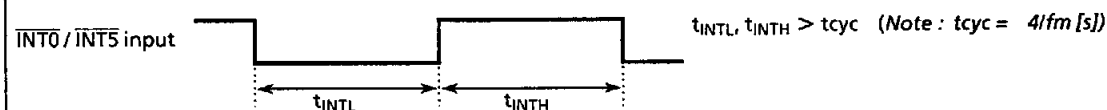
Table 1-3. External Interrupts

Source	Pin	Secondary function pin	Enable conditions	Edge	Digital noise rejection
INT0	$\overline{\text{INT0}}$	P10	$\text{IMF} = 1, \text{INT0EN} = 1$	falling edge	— (hysteresis input)
INT1	INT1	P11	$\text{IMF} \cdot \text{EF}_5 = 1$	falling edge or rising edge	Pulses of less than $15/\text{fc}$ or $63/\text{fc}$ [s] are eliminated as noise. Pulses equal to or more than $48/\text{fc}$ [s] or $192/\text{fc}$ [s] are regarded as signals.
INT2	INT2	P12/TC1	$\text{IMF} \cdot \text{EF}_7 = 1$		Pulses of less than $7/\text{fc}$ [s] are eliminated as noise. Pulses equal to or more than $24/\text{fc}$ [s] are regarded as signals.
INT3	INT3	P30/RXIN	$\text{IMF} \cdot \text{EF}_{11} = 1$	falling edge, rising edge or falling / rising edge	Refer to the section of the Remote control preprocessor
INT4	INT4	P32	$\text{IMF} \cdot \text{EF}_{12} = 1$	falling edge or rising edge	Pulses of less than $7/\text{fc}$ [s] are eliminated as noise. Pulses equal to or more than $24/\text{fc}$ [s] are regarded as signals.
INT5	$\overline{\text{INT5}}$	P20/STOP	$\text{IMF} \cdot \text{EF}_{15} = 1$	falling edge	

Note 1: The noise rejection function is turned off in the SLOW and SLEEP modes. Also, the noise reject times are not constant for pulses input while transiting between operating modes (NORMAL2 $\leftrightarrow$ SLOW)

Note 2: The noise rejection function is also affected for timer/counter input (TC1 pin).

Note 3: The pulse width (both "H" and "L" level) for input to the  $\overline{\text{INT0}}$  and  $\overline{\text{INT5}}$  pins must be over 1 machine cycle.



Note 4: If a noiseless signal is input to the external interrupt pin in the NORMAL 1/2 or IDLE 1/2 mode, the maximum time from the edge of input signal until the IL is set is as follows:

- |                   |   |
|-------------------|---|
| ① INT1 pin        | $49/\text{fc}$ [s] ( $\text{INT1NC} = 1$ ), $193/\text{fc}$ [s] ( $\text{INT1NC} = 0$ ) |
| ② INT2, INT4 pins | $25/\text{fc}$ [s]  |
| ③ INT3 pin        | Refer to the section of the Remote control preprocessor.                                |

Note 5: When high-impedance is specified for port output in stop mode, port input is forcibly fixed to low level internally. Thus, interrupt latches of external interrupt inputs except P20 ( $\overline{\text{INT5/STOP}}$ ) which are also used as ports may be set to "1". To specify high-impedance for port output in stop mode, first disable interrupt service ( $\text{IMF} = 0$ ), activate stop mode. After releasing stop mode, clear interrupt latches using load instruction, then, enable interrupt service.

Example : Activating stop mode (TMP87CH37/K37/M37) :

```
LD (SYSCR1), 01000000B ; OUTEN ← 0 (specifies high-impedance)
DI ; IMF ← 0 (disables interrupt service)
SET (SYSCR1), STOP ; STOP ← 1 (activates stop mode)
LDW (IL), 1110011101010111B ; IL12, 11, 7, 5, 3 ← 0 (clears interrupt latches)
EI ; IMF ← 1 (enables interrupt service)
```

EINTCR (0037 <sub>H</sub> )	7 6 5 4 3 2 1 0							(Initial value : 00*0 000*)
	INT1 NC	INT0 EN	(TC4 ES)	INT4 ES	(TC3 ES)	INT2 ES	INT1 ES	
INT1NC	Noise reject time select		0 : Pulses of less than 63/fc [sec] are eliminated as noise 1 : Pulses of less than 15/fc [sec] are eliminated as noise					write only
INT0EN	P10 / $\overline{\text{INT0}}$ pin configuration		0 : P10 input / output port 1 : $\overline{\text{INT0}}$ pin (Port P10 should be set to an input mode)					
INT4 ES INT2 ES INT1 ES	INT4, INT2 and INT1 edge select		0 : Rising edge 1 : Falling edge					

Note 1 : fc ; High-frequency clock [Hz] \* ; don't care

Note 2 : Edge detection during switching edge selection is invalid.

Note 3 : Do not change EINTCR when IMF = 1. After changing EINTCR, interrupt latches of external interrupt inputs must be cleared to "0" using load instruction.

Note 4 : In order to change of external interrupt input by rewriting the contents of INT2ES and INT4ES during NORMAL1/2 mode, clear interrupt latches of external interrupt inputs (INT2 and INT4) after 8 machine cycles from the time of rewriting. During SLOW mode, 3 machine cycles are required.

Note 5 : In order to change an edge of timer counter input by rewriting the contents of INT2ES during NORMAL1/2 mode, rewrite the contents after timer counter is stopped (TC\*s = 0), that is, interrupt disable state. Then, clear a interrupt latch of external interrupt input (INT2) after 8 machine cycles from the time of rewriting to change to interrupt enable state. Finally, start timer counter. During SLOW mode, 3 machine cycles are required.

Example : When changing TC1 pin inputs edge in external trigger timer mode from rising edge to falling edge.

```
LD (TC1CR), 01001000B ; TC1S ← 00 (stops TC1)
DI ; IMF ← 0 (disables interrupt service)
LD (EINTCR), 00000100B ; INT2ES ← 1 (change edge selection)
NOP
↑
8 machine cycles
↓
LD (ILL), 01111111B ; IL7 ← 0 (clears interrupt latch)
EI ; IMF ← 1 (enables interrupt service)
LD (TC1CR), 01111000B ; TC1S ← 11 (starts TC1)
```

Note 6 : If changing the contents of INT1ES during NORMAL1/2 mode, interrupt latch of external interrupt input INT1 must be cleared after 14 machine cycles (when INT1NC = 1) or 50 machine cycles (when INT1NC = 0) from the time of changing. During SLOW mode, 3 machine cycles are required.

Figure 1-27. External Interrupt Control Register

### 1.10 Watchdog Timer (WDT)

The watchdog timer rapidly detects the CPU malfunction such as endless looping caused by noise or the like, and resumes the CPU to the normal state.

The watchdog timer signal for detecting malfunction can be selected either a reset output or a non-maskable interrupt request. However, selection is possible only once after reset. At first the reset output is selected.

When the watchdog timer is not being used for malfunction detection, it can be used as a timer to generate an interrupt at fixed intervals.

#### 1.10.1 Watchdog Timer Configuration

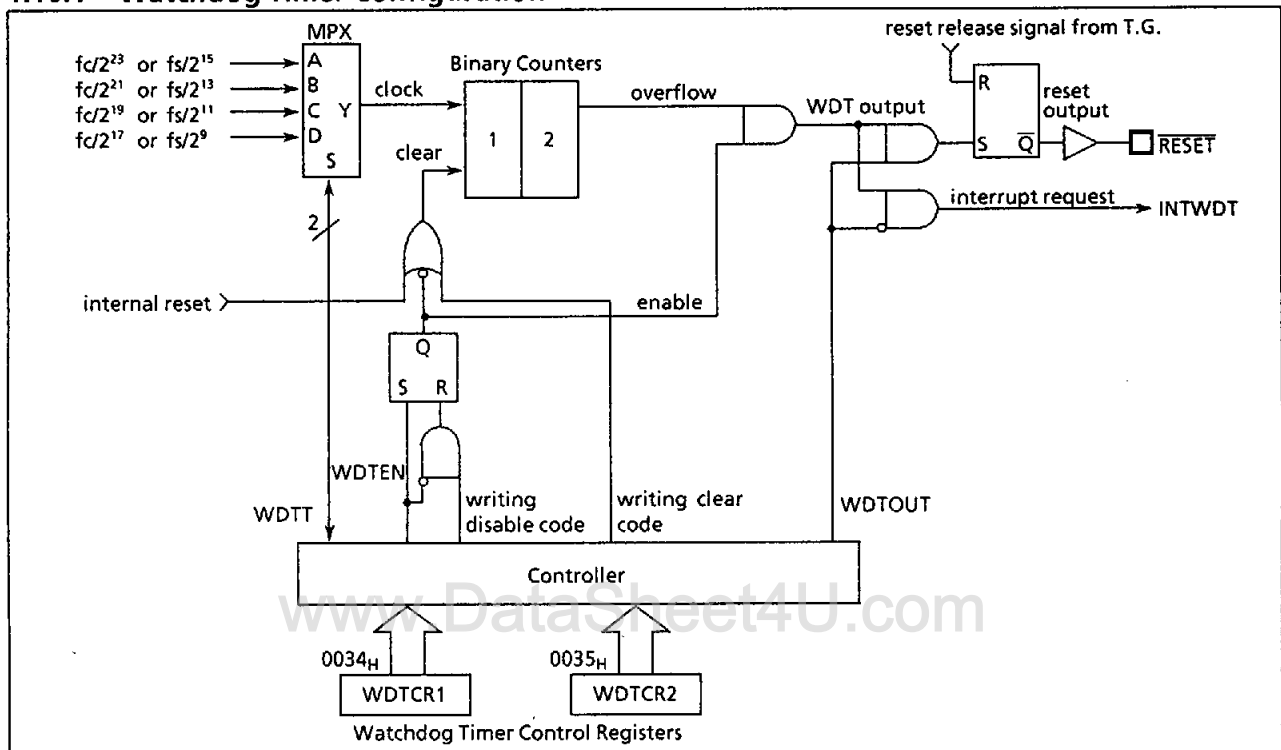


Figure 1-28. Watchdog Timer Configuration

#### 1.10.2 Watchdog Timer Control

Figure 1-29 shows the watchdog timer control registers (WDTCR1, WDTCR2). The watchdog timer is automatically enabled after reset.

##### (1) Malfunction detection methods using the watchdog timer

The CPU malfunction is detected as follows.

- ① Setting the detection time, selecting output, and clearing the binary counter.
- ② Repeatedly clearing the binary counter within the setting detection time.

If the CPU malfunction occurs for any cause, the watchdog timer output will become active at the rising of an overflow from the binary counters unless the binary counters are cleared. At this time, when  $WDTOUT = 1$ , a reset is generated, which drives the  $\overline{RESET}$  pin low to reset the internal hardware and the external circuits. When  $WDTOUT = 0$ , a watchdog timer interrupt (INTWDT) is generated.

The watchdog timer temporarily stops counting in the STOP mode including warm-up or IDLE mode, and automatically restarts (continues counting) when the STOP/IDLE mode is released.



Example : Sets the watchdog timer detection time to  $2^{21}/f_c$  [s] and resets the CPU malfunction.

```

LD (WDTCR2), 4EH ; Clears the binary counters
LD (WDTCR1), 00001101B ; WDTT←10, WDTOUT←1
LD (WDTCR2), 4EH ; Clears the binary counters
                    (always clear immediately after changing WDTT)
LD (WDTCR2), 4EH ; Clears the binary counters
LD (WDTCR2), 4EH ; Clears the binary counters
  
```

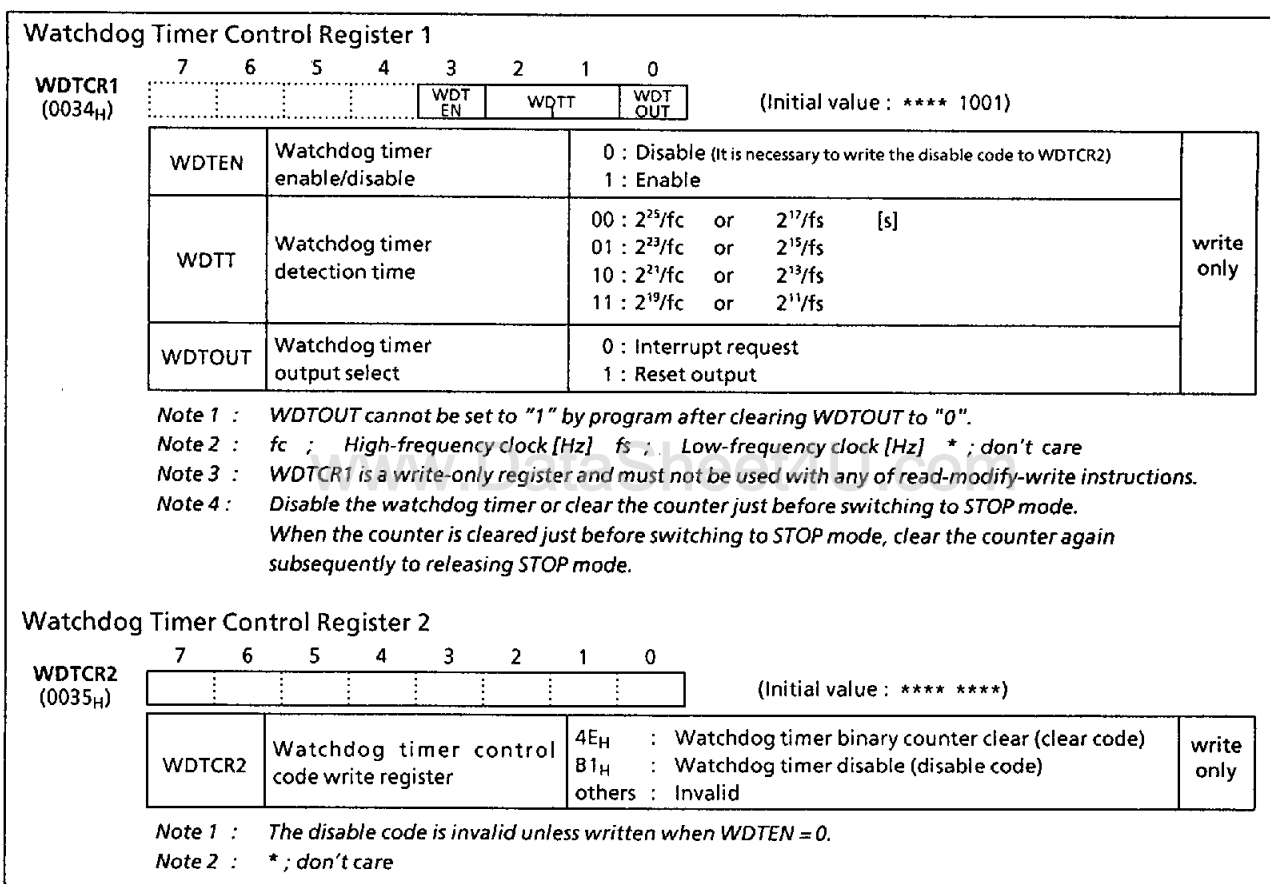


Figure 1-29. Watchdog Timer Control Registers

Table 1-4. Watchdog Timer Detection Time

Operating mode			Detection time	
NORMAL1	NORMAL2	SLOW	At $f_c = 8$ MHz	At $f_s = 32.768$ kHz
$2^{25}/f_c$ [s]	$2^{25}/f_c, 2^{17}/f_s$	$2^{17}/f_s$	4.194 s	4 s
$2^{23}/f_c$	$2^{23}/f_c, 2^{15}/f_s$	$2^{15}/f_s$	1.048 s	1 s
$2^{21}/f_c$	$2^{21}/f_c, 2^{13}/f_s$	—	262.1 ms	250 ms
$2^{19}/f_c$	$2^{19}/f_c, 2^{11}/f_s$	—	65.5 ms	62.5 ms

**(2) Watchdog Timer Enable**

The watchdog timer is enabled by setting WDTEN (bit 3 in WDTCR1) to "1". WDTEN is initialized to "1" during reset, so the watchdog timer operates immediately after reset is released.

Example : Enables watchdog timer  
LD (WDTCR1), 00001000B ; WDTEN←1

**(3) Watchdog Timer Disable**

The watchdog timer is disabled by writing the disable code (B1H) to WDTCR2 after clearing WDTEN (bit 3 in WDTCR1) to "0". The watchdog timer is not disabled if this procedure is reversed and the disable code is written to WDTCR2 before WDTEN is cleared to "0". The watchdog timer is halted temporarily in STOP mode (including warm-up) and IDLE mode, and restarts automatically after STOP or IDLE mode is released.

During disabling the watchdog timer, the binary counters are cleared to "0".

Example : Disables watchdog timer  
LDW (WDTCR1), 0B101H ; WDTEN←0, WDTCR2←disable code

**1.10.3 Watchdog Timer Interrupt (INTWDT)**

This is a pseudo non-maskable interrupt which can be accepted regardless of the contents of the EIR. If a watchdog timer interrupt or a software interrupt is already accepted, however, the new watchdog timer interrupt waits until the previous non-maskable interrupt processing is completed (the end of the [RETN] instruction execution).

The stack pointer (SP) should be initialized before using the watchdog timer output as an interrupt source with WDTOUT.

Example : Watchdog timer interrupt setting up.  
LD SP, 043FH ; Sets the stack pointer  
LD (WDTCR1), 00001000B ; WDTOUT←0

**1.10.4 Watchdog Timer Reset**

If the watchdog timer output becomes active, a reset is generated, which drives the  $\overline{\text{RESET}}$  pin (sink open drain output with pull-up resistor) low to reset the internal hardware and the external circuits. The reset output time is  $220/f_c$  [s] (131 ms at  $f_c = 8$  MHz). The high-frequency clock oscillator also turns on when a watchdog timer reset is generated in SLOW mode.

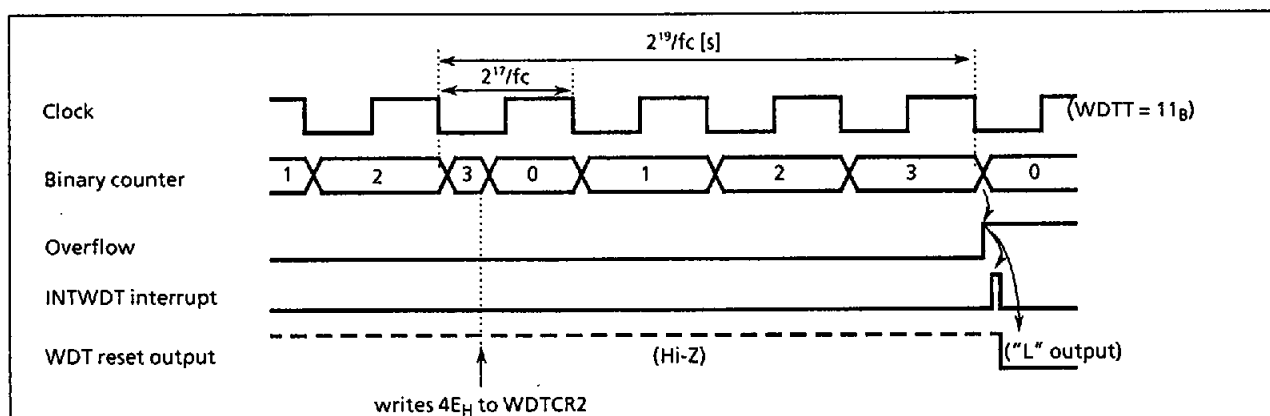


Figure 1-30. Watchdog Timer Interrupt / Reset

### 1.11 Reset Circuit

The TLCS-870 series has four types of reset generation procedures: an external reset input, an address-trap-reset, a watchdog timer reset and a system-clock-reset. Table 1-5 shows on-chip hardware initialization by reset action.

The internal source reset circuit (watchdog timer reset, address trap reset, and system clock reset) is not initialized when power is turned on. Thus, output from the  $\overline{\text{RESET}}$  pin may go low ( $220/f_c$  [s] 131 ms at 8 MHz) when power is turned on.

Table 1-5. Initializing Internal Status by Reset Action

On-chip Hardware	Initial Value	On-chip Hardware	Initial Value
Program counter (PC)	(FFFF <sub>H</sub> ) · (FFFE <sub>H</sub> )	Divider of Timing generator	0
Register bank selector (RBS)	0	Watchdog timer	Enable
Jump status flag (JF)	1	Output latches of I/O ports	Refer to I/O port circuitry
Interrupt master enable flag (IMF)	0	Control registers	Refer to each of control register
Interrupt individual enable flags (EF)	0		
Interrupt latches (IL)	0		

#### 1.11.1 External Reset Input

When the  $\overline{\text{RESET}}$  pin is held at low for at least 3 machine cycles ( $12/f_c$  [s]) with the power supply voltage within the operating voltage range and oscillation stable, a reset is applied and the internal state is initialized.

When the  $\overline{\text{RESET}}$  pin input goes high, the reset operation is released and the program execution starts at the vector address stored at addresses FFFE<sub>H</sub> to FFFF<sub>H</sub>.

The  $\overline{\text{RESET}}$  pin contains a Schmitt trigger (hysteresis) with an internal pull-up resistor. A simple power-on-reset can be applied by connecting an external capacitor and a diode.

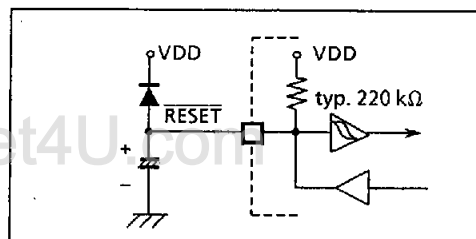


Figure 1-31. Simple Power-on-Reset Circuitry

### 1.11.2 Address-Trap-Reset

If the CPU malfunction occurs and an attempt is made to fetch an instruction from the RAM or the SFR area, an address-trap-reset will be generated. Then, the  $\overline{\text{RESET}}$  pin output will go low. The reset time is  $220/f_c$  [s] (131 ms at 8 MHz).

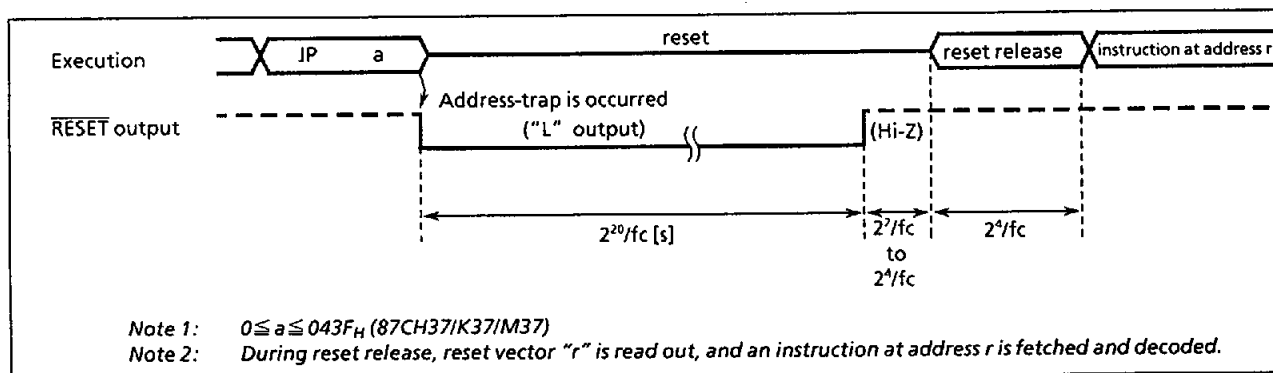


Figure 1-32. Address-Trap-Reset

### 1.11.3 Watchdog Timer Reset

Refer to Section "1.10 Watchdog Timer".

### 1.11.4 System-Clock-Reset

Clearing both XEN and XTEN (bits 7 and 6 in SYSCR2) to "0" stops both high-frequency and low-frequency oscillation, and causes the MCU to deadlock. This can be prevented by automatically generating a reset signal whenever  $\text{XEN} = \text{XTEN} = 0$  is detected to continue the oscillation. Then, the  $\overline{\text{RESET}}$  pin output goes low from high-impedance. The reset time is  $220/f_c$  [s] (131 ms at 8 MHz).

www.DataSheet4U.com

## 2. ON-CHIP PERIPHERALS FUNCTIONS

### 2.1 Special Function Registers (SFR) and Data Buffer Registers (DBR)

The TLCS-870 Series uses the memory mapped I/O system, and all peripheral control and data transfers are performed through the special function registers (SFR) and data buffer registers (DBR).

The SFR are mapped to addresses 0000<sub>H</sub> to 003F<sub>H</sub>, and the DBR to addresses 0F80<sub>H</sub> to 0FFF<sub>H</sub>.

Figure 2-1 shows the 87CH37/K37/M37 SFRs and DBRs.

Address	Read	Write	Address	Read	Write
0000 <sub>H</sub>		P0 port	0020 <sub>H</sub>	—	SBICR1 (SBI control 1)
01		P1 Port	21	—	SBIDBR (SBI data buffer)
02		P2 Port	22	—	I2CAR (I <sup>2</sup> C-bus address)
03		P3 Port	23	SBISR (SBI status)	SBICR2 (SBI control 2)
04		P4 Port	24	—	reserved
05		P5 Port	25	PWMSR (PWM status)	PWMCR (PWM control)
06		P6 Port	26	—	PWMDBR (PWM data buffer)
07		P7 Port	27	—	PULSECR (Pulse output control)
08		reserved	28	—	reserved
09		reserved	29	—	reserved
0A	—	POCR (P0 I/O control)	2A	—	reserved
0B	—	P1CR (P1 I/O control)	2B	—	reserved
0C	—	P4CR (P4 I/O control)	2C	—	reserved
0D	—	P6CR (P6 I/O control)	2D	—	reserved
0E	—	reserved	2E	—	reserved
0F	—	reserved	2F	—	reserved
10	—	TREG1A <sub>L</sub> (Timer register 1A)	30	—	reserved
11	—	TREG1A <sub>H</sub>	31	—	reserved
12	—	TREG1B <sub>L</sub> (Timer register 1B)	32	—	reserved
13	—	TREG1B <sub>H</sub>	33	—	reserved
14	—	TC1CR (TC1 control)	34	—	WDTCR1 (WDT control)
15	—	TC2CR (TC2 control)	35	—	WDTCR2
16	—	TREG2 <sub>L</sub> (Timer register 2)	36	—	TBTCT (TBT / TG / DVO control)
17	—	TREG2 <sub>H</sub>	37	—	EINTCR (Exter. interrupt control)
18	—	TREG3A (Timer register 3A)	38	—	SYSCR1 (System control)
19	—	TREG3B (Timer register 3B)	39	—	SYSCR2
1A	—	TC3CR (TC3 control)	3A	—	EIR <sub>L</sub> (Interrupt enable register)
1B	—	TREG4 (Timer register 4)	3B	—	EIR <sub>H</sub>
1C	—	TC4CR (TC4 control)	3C	—	IL <sub>L</sub> (Interrupt latch)
1D	—	reserved	3D	—	IL <sub>H</sub>
1E	—	reserved	3E	—	reserved
1F	—	reserved	3F	—	reserved
				PSW (Program status word)	RBS (Register bank selector)

(a) Special Function Registers

Address	Read	Write
0F80 <sub>H</sub>	—	—
0F94	—	—
95	DCTR (OSD display-line counter)	OSD control registers
96	—	—
9A	ORDON	—
0F9B	—	reserved
	—	reserved
0FCF	—	reserved
0FD0	RXCR1 (Remo-con control1)	—
D1	RXCR2 (Remo-con control2)	—
D2	RXCTR (Remo-con receive counter)	—
D3	RXDBR (Remo-con receive data buffer)	—
D4	RXSR (Remo-con status)	—
D5	—	reserved
	—	reserved
0FFF	—	reserved

(b) Data Buffer Registers

Note 1 : Do not access reserved areas by the program.

Note 2 : — : Cannot be accessed.

Note 3 : When defining address 003F<sub>H</sub> with assembler symbols, use GPSW and GRBS.

Note 4 : Write-only registers and interrupt latches cannot use the read-modify-write instructions (bit manipulation instructions such as SET, CLR, etc. and logical operation instructions such as AND, OR, etc.)

Note 5 : SBI : Serial Bus Interface  
PWM : Pulse Width Modulation  
OSD : On Screen Display  
Remo-con : Remote control

Figure 2-1. SFR & DBR

## 2.2 I/O Ports

The 87CH37/K37/M37 each have 8 parallel input/output ports (56 pins) each as follows:

	Primary Function	Secondary Functions
Port P0	8-bit I/O port	—
Port P1	8-bit I/O port	external interrupt input, timer / counter input / output, and divider output
Port P2	3-bit I/O port	low-frequency resonator connections, external interrupt input, and STOP mode release signal input
Port P3	8-bit I/O port	external interrupt input, remote control signal input, timer/counter input, and serial bus interface input/output
Port P4	8-bit I/O port	pulse width modulation output
Port P5	8-bit I/O port	pulse width modulation output, pulse output, and comparator input
Port P6	8-bit I/O port	R, G, B and Y/BL output from OSD circuitry
Port P7	5-bit I/O port	horizontal synchronous pulse input and vertical synchronous pulse input to OSD circuitry

Each output port contains a latch, which holds the output data. All input ports do not have latches, so the external input data should either be held externally until read or reading should be performed several times before processing. Figure 2-2 shows input/output timing examples.

External data is read from an I/O port in the S1 state of the read cycle during execution of the read instruction. This timing can not be recognized from outside, so that transient input such as chattering must be processed by the program.

Output data changes in the S2 state of the write cycle during execution of the instruction which writes to an I/O port.

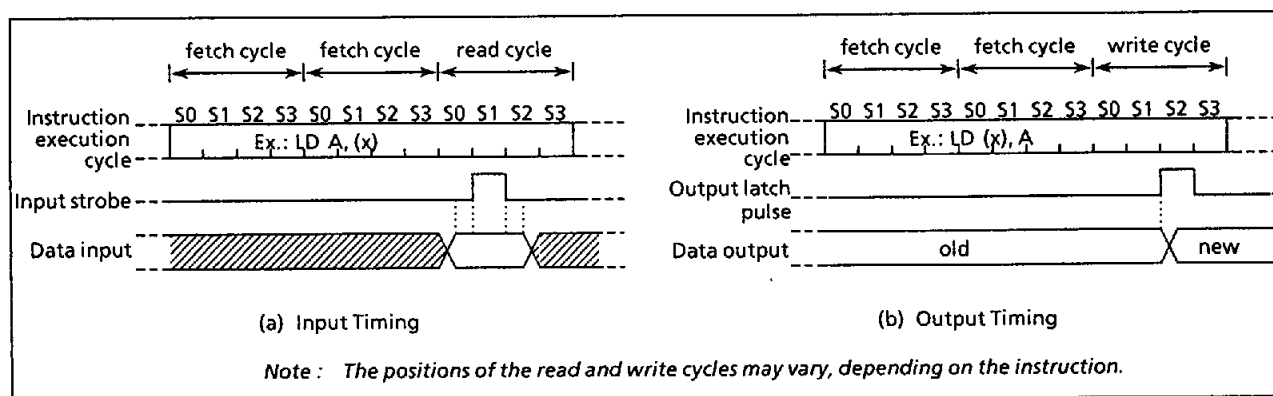


Figure 2-2. Input / Output Timing (Example)

When reading an I/O port except programmable I/O ports, whether the pin input data or the output latch contents are read depends on the instructions, as shown below:

(1) Instructions that read the output latch contents

- |                       |  |
|-----------------------|--|
| ① XCH r, (src)        | ⑤ LD (pp).b, CF  |
| ② CLR/SET/CPL (src).b | ⑥ ADD / ADDC / SUB / SUBB / AND / OR / XOR (src), n                  |
| ③ CLR/SET/CPL (pp).g  | ⑦ (src) side of ADD / ADDC / SUB / SUBB / AND / OR / XOR (src), (HL) |
| ④ LD (src).b, CF      |  |

(2) Instructions that read the pin input data

- ① Instructions other than the above (1)
- ② (HL) side of ADD / ADDC / SUB / SUBB / AND / OR / XOR (src), (HL)

### 2.2.1 Port P0 (P07 to P00)

Port P0 is an 8-bit general-purpose input/output port which can be configured as either an input or an output in one-bit unit under software control. Input / output mode is specified by the corresponding bit in the port P0 input / output control register (P0CR). Port P0 is configured as an input if its corresponding P0CR bit is cleared to "0", and as an output if its corresponding P0CR bit is set to "1".

During reset, P0CR is initialized to "0", which configures port P0 as input. The P0 output latches are also initialized to "0". Data is written into the output latch regardless of the P0CR contents. Therefore initial output data should be written into the output latch before setting P0CR.

Note: Input mode port is read the state of input pin.

When input / output mode is used to mixed, the contents of input mode port may be changed by executing bit manipulation instructions.

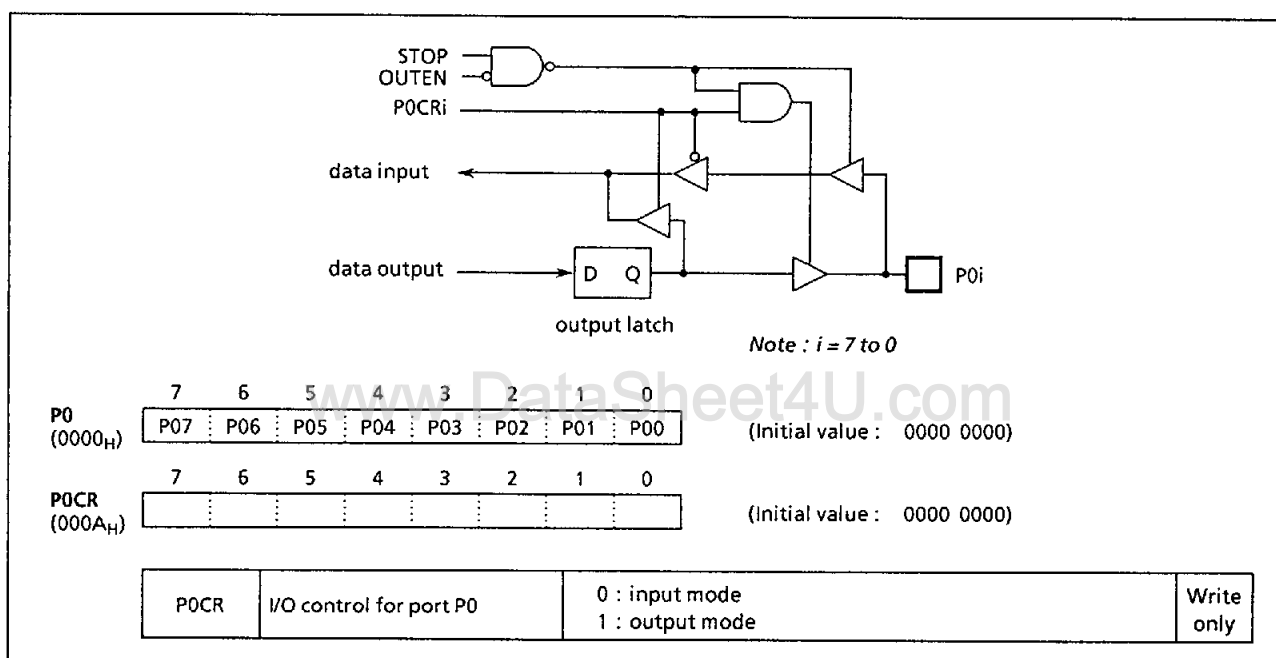


Figure 2-3. Port P0 and P0CR

Example : Setting the upper 4 bits of port P0 as an input port and the lower 4 bits as an output port (Initial output data are 1010<sub>B</sub>).

LD (P0), 00001010B ; Sets initial data to P0 output latches

LD (P0CR), 00001111B ; Sets the port P0 input / output mode

## 2.2.2 Port P1 (P17 to P10)

Port P1 is an 8-bit input / output port which can be configured as an input or an output in one-bit unit under software control. Input / output mode is specified by the corresponding bit in the port P1 input / output control register (P1CR). Port P1 is configured as an input if its corresponding P1CR bit is cleared to "0", and as an output if its corresponding P1CR bit is set to "1". During reset, P1CR is initialized to "0", which configures port P1 as an input. The P1 output latches are also initialized to "0".

Data is written into the output latch regardless of the P1CR contents. Therefore initial output data should be written into the output latch before setting P1CR. Port P1 is also used as an external interrupt input, a timer/counter input, and a divider output. When used as a secondary function pin, the input pins should be set to the input mode, and the output pins should be set to the output mode and beforehand the output latch should be set to "1".

It is recommended that pins P11 and P12 should be used as external interrupt inputs, timer / counter input, or input ports. The interrupt latch is set on the rising or falling edge of the output when used as output ports.

Pin P10 ( $\overline{\text{INT0}}$ ) can be configured as either an I/O port or an external interrupt input with INTOEN (bit 6 in EINTCR). During reset, pin P10 ( $\overline{\text{INT0}}$ ) is configured as an input port P10.

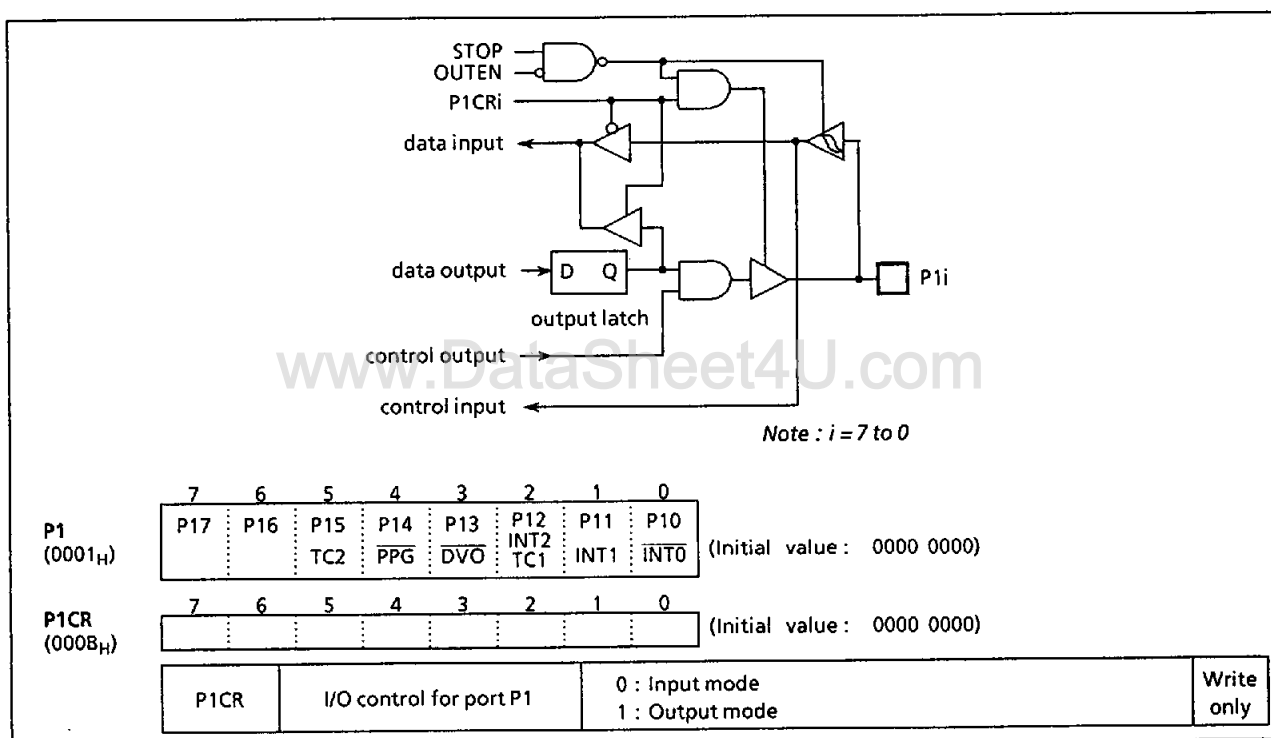


Figure 2-4. Port P1 and P1CR

**Example :** Sets P17, P16 and P14 as output ports, P13 and P11 as input ports, and the others as function pins. Internal output data is "1" for the P17 and P14 pins, and "0" for the P16 pin.

```
LD (EINTCR), 01000000B ; INTOEN←1
LD (P1), 10111111B ; P17←1, P14←1, P16←0
LD (P1CR), 11010000B
```

**Note:** Input mode port is read the state of input pin.  
When input / output mode is used to mixed, the contents of input mode port may be changed by executing bit manipulation instructions.



### 2.2.3 Port P2 (P22 to P20)

Port P2 is a 3-bit input / output port. It is also used as an external interrupt input, a STOP mode release signal input, and as low-frequency crystal connection pins. When used as an input port, or a secondary function pin, the output latch should be set to "1". During reset, the output latches are initialized to "1".

A low-frequency crystal (32.768 kHz) is connected to pins P21 (XTIN) and P22 (XTOUT) in the dual-clock mode. In the single-clock mode, pins P21 and P22 can be used as normal input/output ports.

It is recommended that pin P20 should be used as an external interrupt input, a STOP mode release signal input, or an input port. If used as an output port, the interrupt latch is set on the falling edge of the P20 output pulse. When a read instruction for port P2 is executed, bits 7 to 3 in P2 are read in as undefined data.

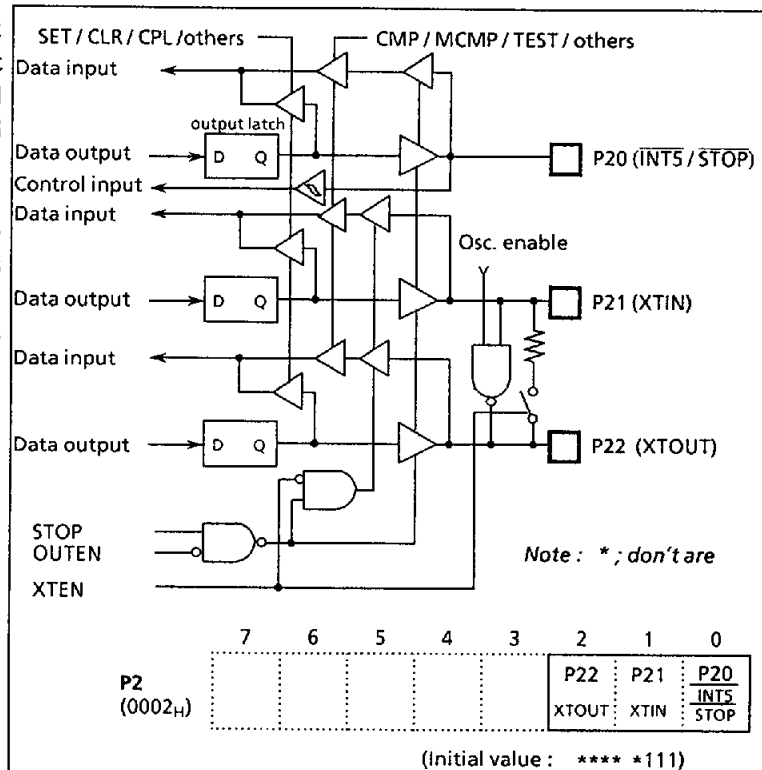


Figure 2-5. Port P2

### 2.2.4 Port P3 (P37 to P30)

Port P3 is an 8-bit input / output port, and is also used as serial bus interface input / output, an external interrupt input a timer / counter input, and Remote-control signal input. When used as an input port or a secondary function pin, the output latch should be set to "1". The output latches are initialized to "1" during reset.

Example 1: Outputs an immediate data 5A<sub>H</sub> to port P3.

```
LD (P3), 5AH ; P3 ← 5AH
```

Example 2: Inverts the output of the lower 4bits (P33 to P30) in port P3.

```
XOR (P3), 00001111B ;  
P33 to P30 ← P33 to P30
```

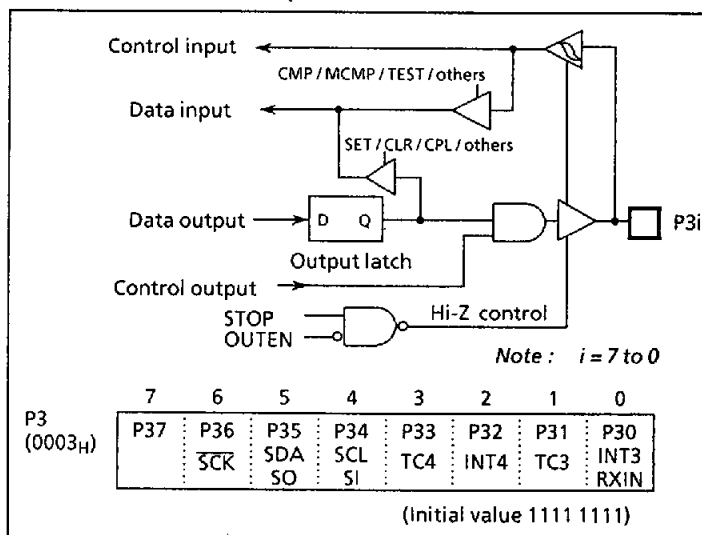


Figure 2-6. Port P3

2.2.5 Port P4 (P47 to P40)

Port P4 is an 8-bit input / output port which can be configured as an input or an output in one-bit unit under software control. Input / output mode is specified by the corresponding bit in the port P4 input/output control register (P4CR). Port P4 is configured as an input if its corresponding P4CR bit is cleared to "0", and as an output if its corresponding P4CR bit is set to "1". During reset, P4CR is initialized to "0", which configures port P4 as an input. The P4 output latches are also initialized to "1".

Data is written into the output latch regardless of the P4CR contents. Therefore initial output data should be written into the output latch before setting P4CR. Port P4 is also used as a pulse width modulation (PWM) output. When used as a PWM output pin, the output pins should be set to the output mode and beforehand the output latch should be set to "1".

*Note: Input mode port is read the state of input pin.  
When input / output mode is used to mixed, the contents of input mode port may be changed by executing bit manipulation instructions.*

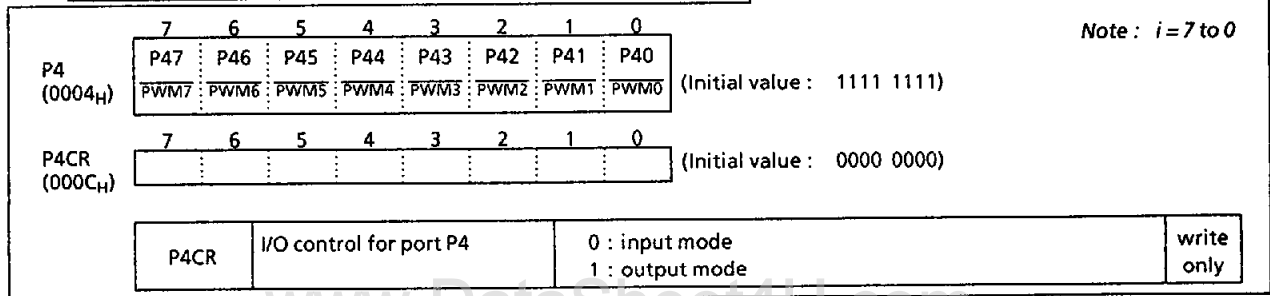
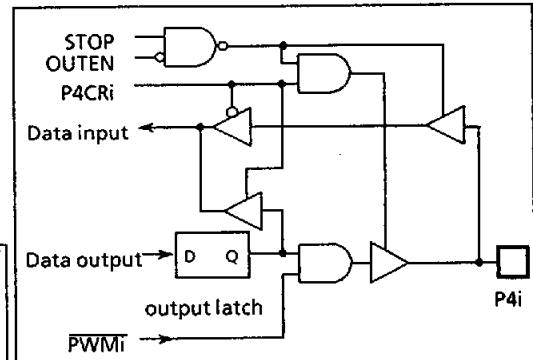


Figure 2-7. Port P4 and P4CR

2.2.6 Port P5 (P57 to P50)

Port P5 is an 8-bit input / output port, and is also used as comparator input, a pulse output, and a pulse width modulation (PWM) output. When used as an input port or a secondary function pin, the output latch should be set to "1". The output latches are initialized to "1" during reset.

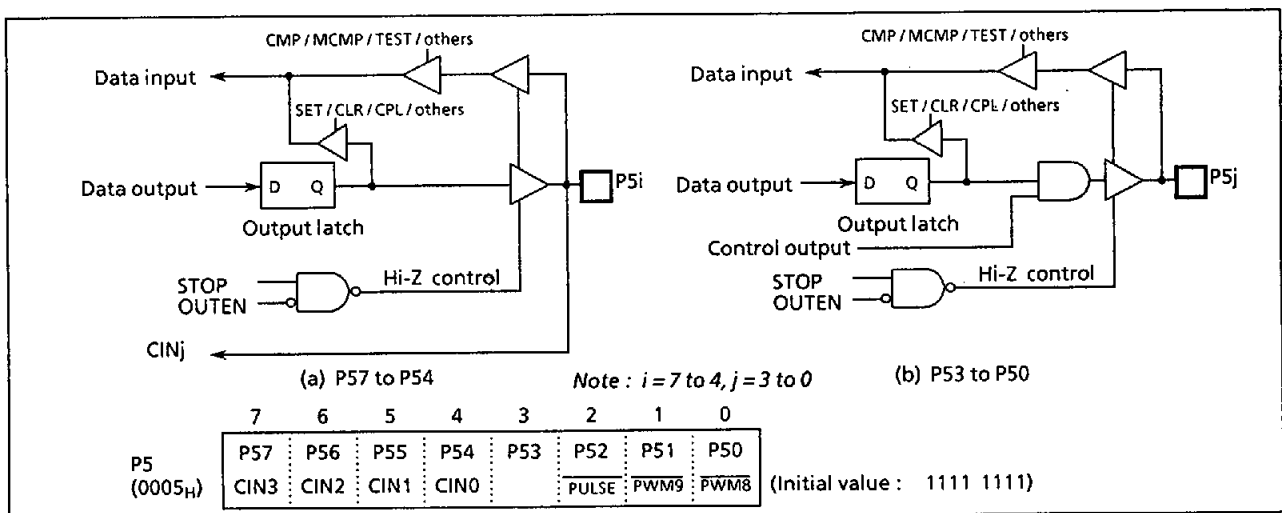


Figure 2-8. Port P5

### 2.2.7 Port P6 (P67 to P60)

Port P6 is an 8-bit input / output port which can be configured as an input or an output in one-bit unit under software control. Input or output mode is selected by the corresponding bit in the input/output control register (P6CR). For example, port P6 is configured as an input if its corresponding P6CR bit is cleared to "0", and as an output if its corresponding bit is set to "1". During reset, P6CR is initialized to "0", which configures port P6 as an input. The P6 output latches are also initialized to "1".

Data is written into the output latch regardless of the P6CR contents. Therefore initial output data should be written into the output latch before setting P6CR. Pins P63 to P60 are available high current output, so LEDs can be driven directly.

Port P6 is also used as an on screen display (OSD) output (R, G, B, and Y/BL signal). When used as an OSD output pin, the OSD output pins should be set to the output mode and beforehand the port P6 data selection register (P67DS to P64DS) should be set to "1".

**Note:** Input mode port is read the state of input pin.  
When input / output mode is used to mixed, the contents of input mode port may be changed by executing bit manipulation instructions.

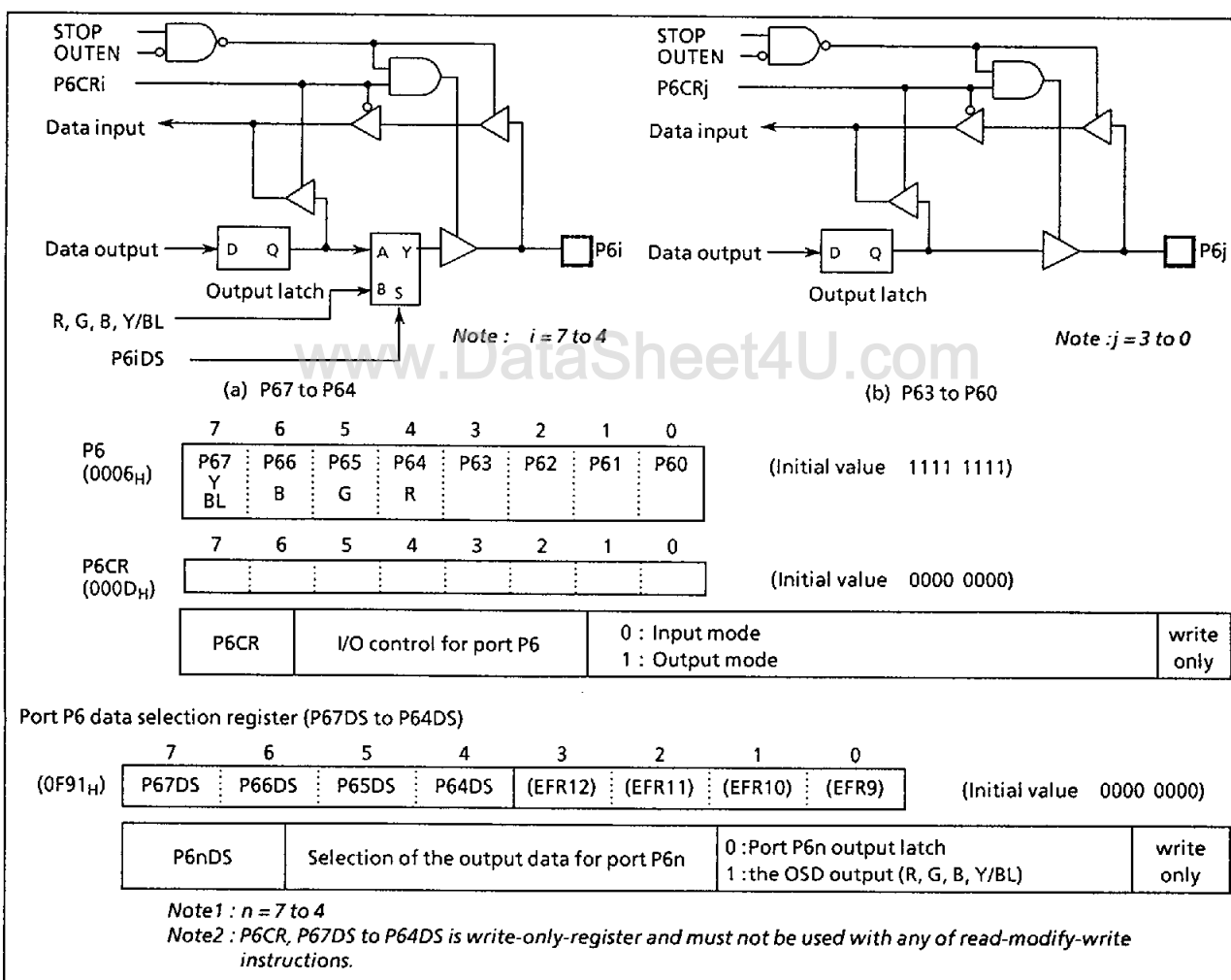


Figure 2-9. Port P6, P6CR, and P67DS to P64DS

**Note:** Input mode port is read the state of input pin. When input / output mode is used to mixed, the contents of output latch setting input mode may be changed by executing bit manipulation instructions.

Example : Set the lower 4 bit in port P6 (P63 to P60) to the output port and set the other to the input port.

```
LD      (P6CR), 0FH      ; P6CR ← 0000 1111B
```

### 2.2.8 Port P7 (P74 to P70)

Port P7 is a 5-bit input / output port, and is also used as a vertical synchronous signal ( $\overline{VD}$ ) input and a horizontal synchronous signal ( $\overline{HD}$ ) input for the on screen display (OSD) circuitry.

The output latches are initialized to "1" during reset. When used as an input port or a secondary function pin, the output latch should be set to "1".

When a read instruction for port P7 is executed, bits 7 to 5 in P7 are read in as undefined data.

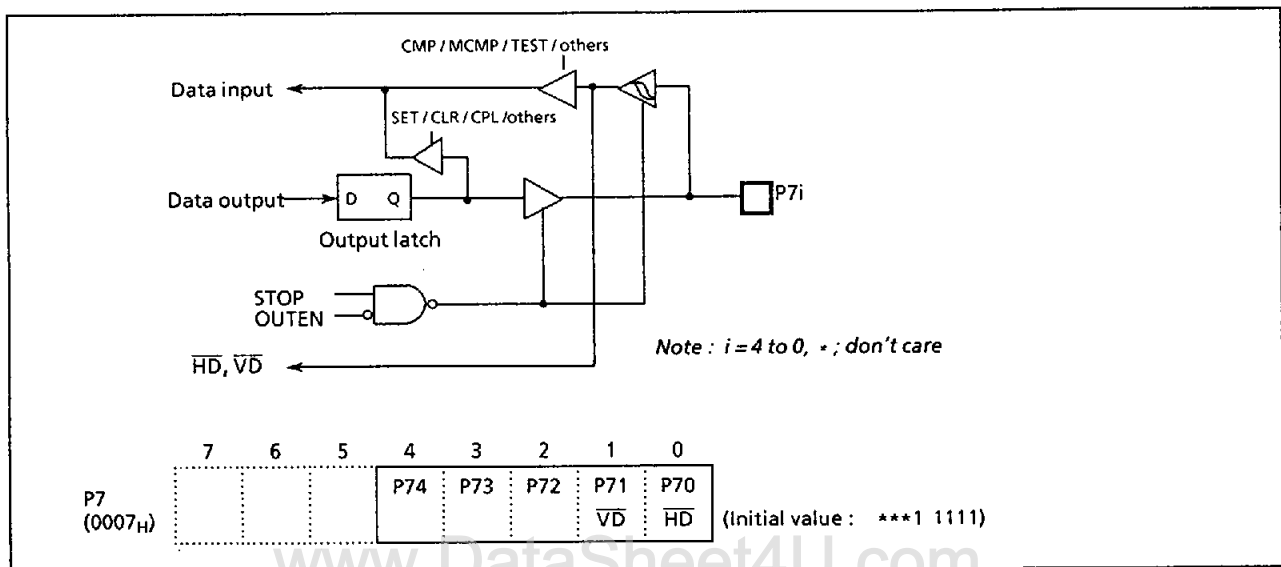


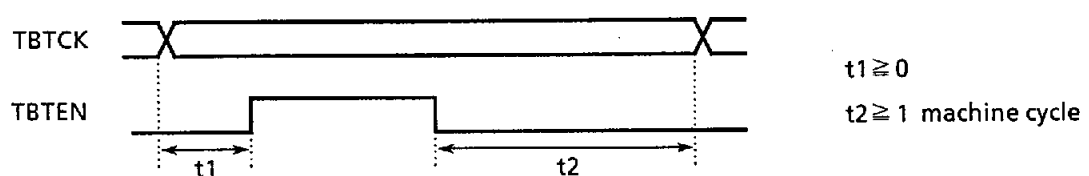
Figure 2-10. Port P7

### 2.3 Time Base Timer (TBT)

The time base timer generates time base for key scanning, dynamic displaying, etc. It also provides a time base timer interrupt (INTTBT). The time base timer is controlled by a control register (TBTCR) shown in Figure 2-12.

An INTTBT is generated on the first rising edge of source clock (the divider output of the timing generator) after the time base timer has been enabled. The divider is not cleared by the program; therefore, only the first interrupt may be generated ahead of the set interrupt period.

*The interrupt frequency (TBTK) must be selected with the time base timer disabled (When the time base timer is changed from enabling to disabling, the interrupt frequency can't be changed.) (both frequency selection and enabling can be performed simultaneously).*



Example : Sets the time base timer frequency to  $fc/2^{16}$  [Hz] and enables an INTTBT interrupt.

```
LD      (TBTCR), 00001010B
SET     (EIRL). 6
```

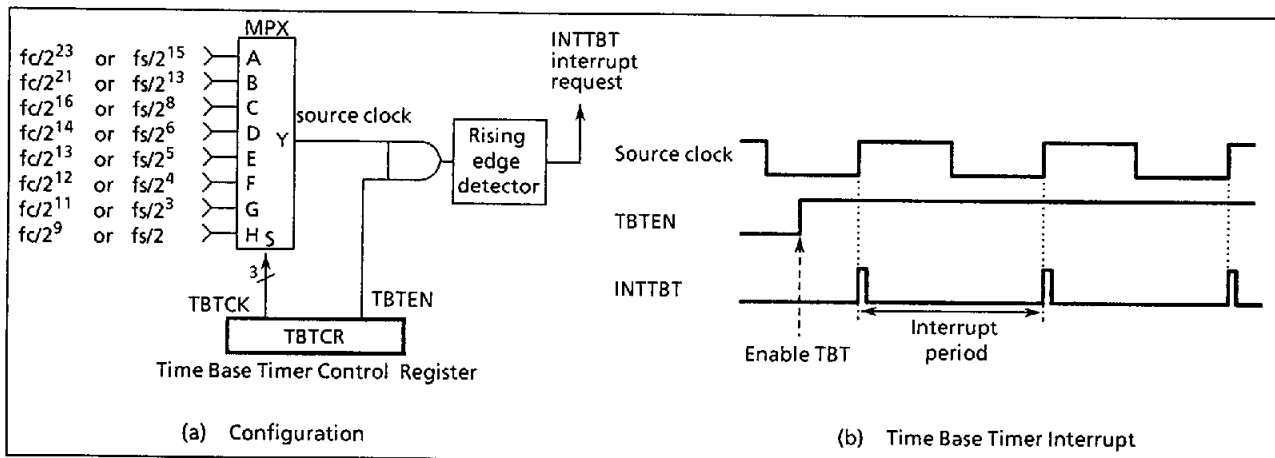


Figure 2-11. Time Base Timer

TBTCR (0036 <sub>H</sub> )		7	6	5	4	3	2	1	0	(Initial value : 0**0 0***)
		(DV0EN)	(DV0CK)	(DV7CK)	TBTEN	TBTCR				
TBTEN	Time base timer enable/disable	0 : Disable 1 : Enable								
TBCK	Time base timer interrupt frequency select	000 : $fc/2^{23}$ or $fs/2^{15}$ [Hz] 001 : $fc/2^{21}$ or $fs/2^{13}$ 010 : $fc/2^{16}$ or $fs/2^8$ 011 : $fc/2^{14}$ or $fs/2^6$ 100 : $fc/2^{13}$ or $fs/2^5$ 101 : $fc/2^{12}$ or $fs/2^4$ 110 : $fc/2^{11}$ or $fs/2^3$ 111 : $fc/2^9$ or $fs/2$								Write only

Note1 :  $fc$  ; High-frequency clock [Hz],  $fs$  ; Low-frequency clock [Hz], \* ; don't care  
 Note2 : TBTCR is a write-only register and must not be used with any of read-modify-write instructions.

Figure 2-12. Time Base Timer and Divider Output Control Register

Table 2-1. Time Base Timer Interrupt Frequency

TBCK	NORMAL1/2, IDLE1/2 mode		SLOW, SLEEP mode	Interrupt Frequency	
	DV7CK = 0	DV7CK = 1		At $fc = 8$ MHz	At $fs = 32.768$ kHz
000	$fc/2^{23}$	$fs/2^{15}$	$fs/2^{15}$	0.95 Hz	1 Hz
001	$fc/2^{21}$	$fs/2^{13}$	$fs/2^{13}$	3.81	4
010	$fc/2^{16}$	$fs/2^8$	-	122.07	128
011	$fc/2^{14}$	$fs/2^6$	-	488.28	512
100	$fc/2^{13}$	$fs/2^5$	-	976.56	1024
101	$fc/2^{12}$	$fs/2^4$	-	1953.12	2048
110	$fc/2^{11}$	$fs/2^3$	-	3906.25	4096
111	$fc/2^9$	$fs/2$	-	15625	16384

**2.4 Divider Output (DVO)**

A 50 % duty cycle can be output using the divider output circuit, which is useful for a piezo-electric buzzer drive. Divider output is from pin P13 (DVO). The P13 output latch should be set to "1" and then the P13 should be configured as an output.

The divider output circuit is controlled by the control register (TBTCR) shown in Figure 2-13.

Note that TBTCR is a write-only register.

TBTCR (0036 <sub>H</sub> )	7	6	5	4	3	2	1	0	(Initial value : 0**0 0***)
	DVOEN	DVOCK	(DV7CK)	(TBTEN)	(TBTCR)				
DVOEN	Divider output enable/disable		0 : Disable 1 : Enable						Write only
DVOCK	Divider output (DVO) frequency selection		00 : $fc/2^{13}$ or $fs/2^5$ [Hz] 01 : $fc/2^{12}$ or $fs/2^4$ 10 : $fc/2^{11}$ or $fs/2^3$ 11 : $fc/2^{10}$ or $fs/2^2$						

Note 1 :  $fc$  ; High-frequency clock [Hz],  $fs$  ; Low-frequency clock [Hz], \* ; don't care  
 Note 2 : TBTCR is write-only register and must not be used with any of the read-modify-write instructions such as SET, CLR, etc.

Figure 2-13. Divider Output Control Register

Example : 1 kHz pulse output (at  $fc = 8$  MHz)

- SET (P1).3 ; P13 output latch ← 1
- LD (P1CR), 00001000B ; Configures P13 as an output
- LD (TBTCR), 10000000B ; DVOEN ← 1, DVOCK ← 00

Table 2-2. Frequency of Divider Output

DVOCK	Frequency of Divider Output	At $fc = 8$ MHz	At $fs = 32.768$ kHz
00	$fc/2^{13}$ or $fs/2^5$	0.976 [kHz]	1.024 [kHz]
01	$fc/2^{12}$ or $fs/2^4$	1.953	2.048
10	$fc/2^{11}$ or $fs/2^3$	3.906	4.096
11	$fc/2^{10}$ or $fs/2^2$	7.812	8.192

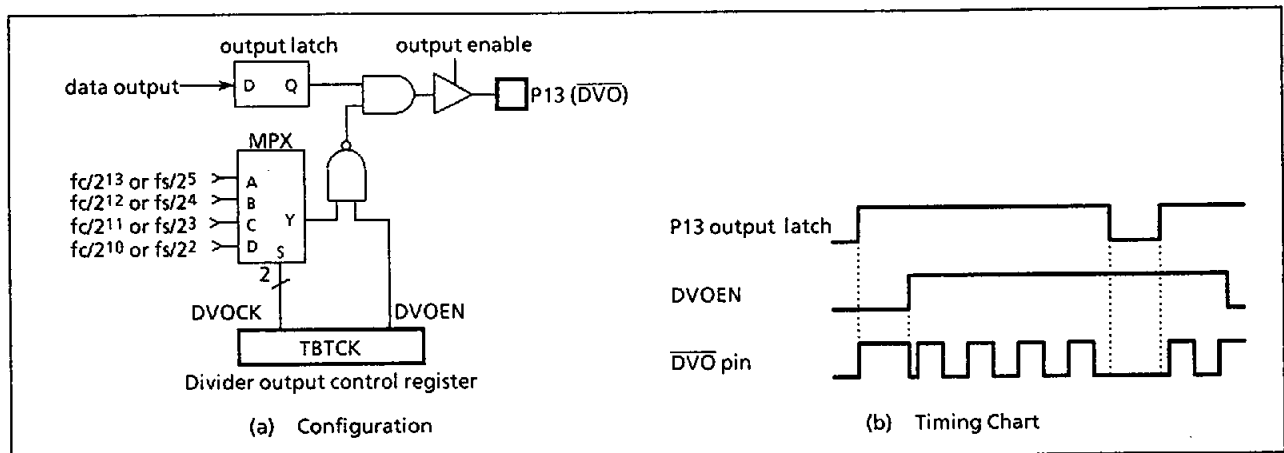


Figure 2-14. Divider Output

9097249 0036585 T60

2.5 16-bit Timer / Counter 1 (TC1)

2.5.1 Configuration

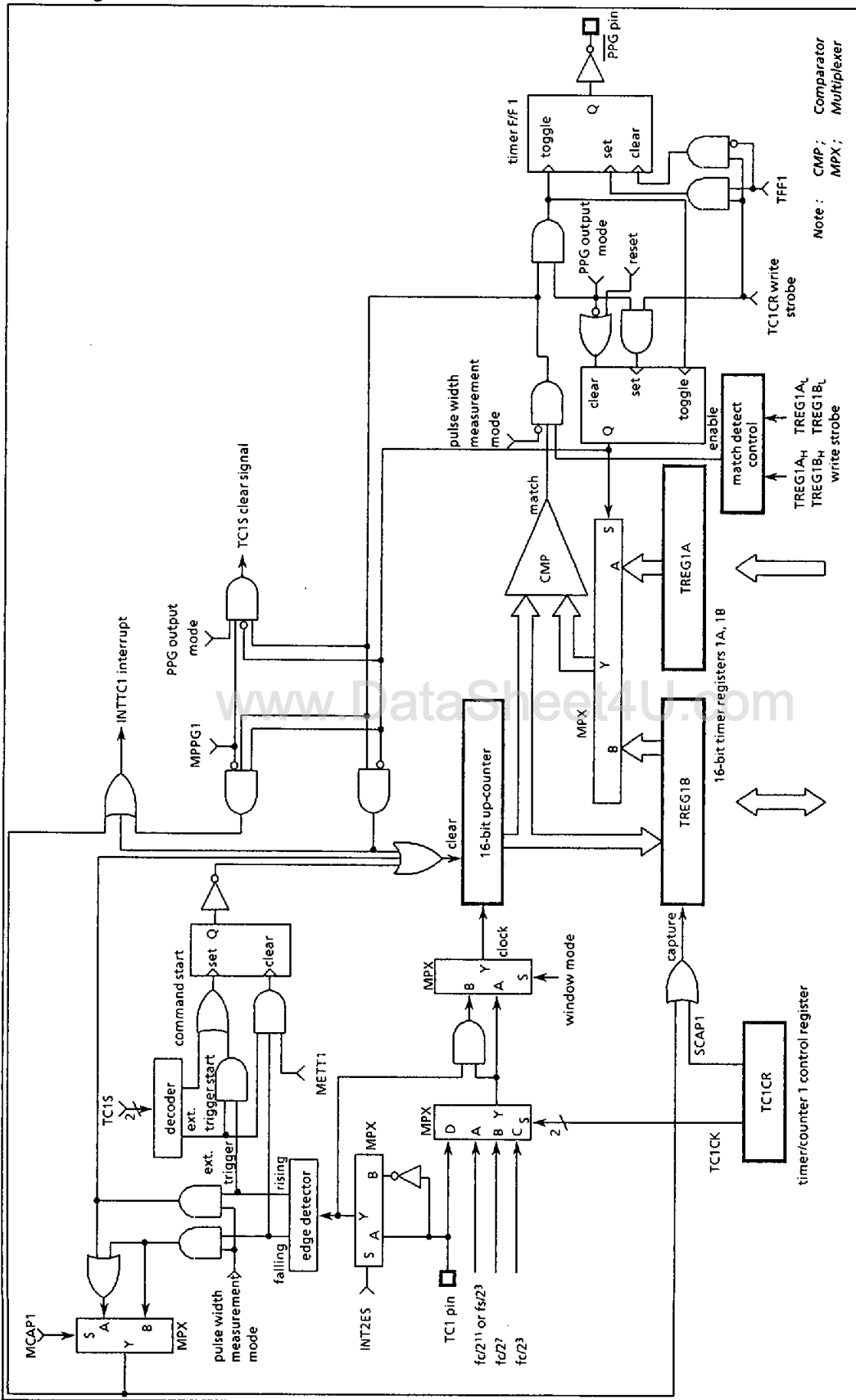


Figure 2-15. Timer / Counter 1

## 2.5.2 Control

The timer / counter 1 is controlled by a timer / counter 1 control register (TC1CR) and two 16-bit timer registers (TREG1A and TREG1B). Reset does not affect TREG1A and TREG1B.

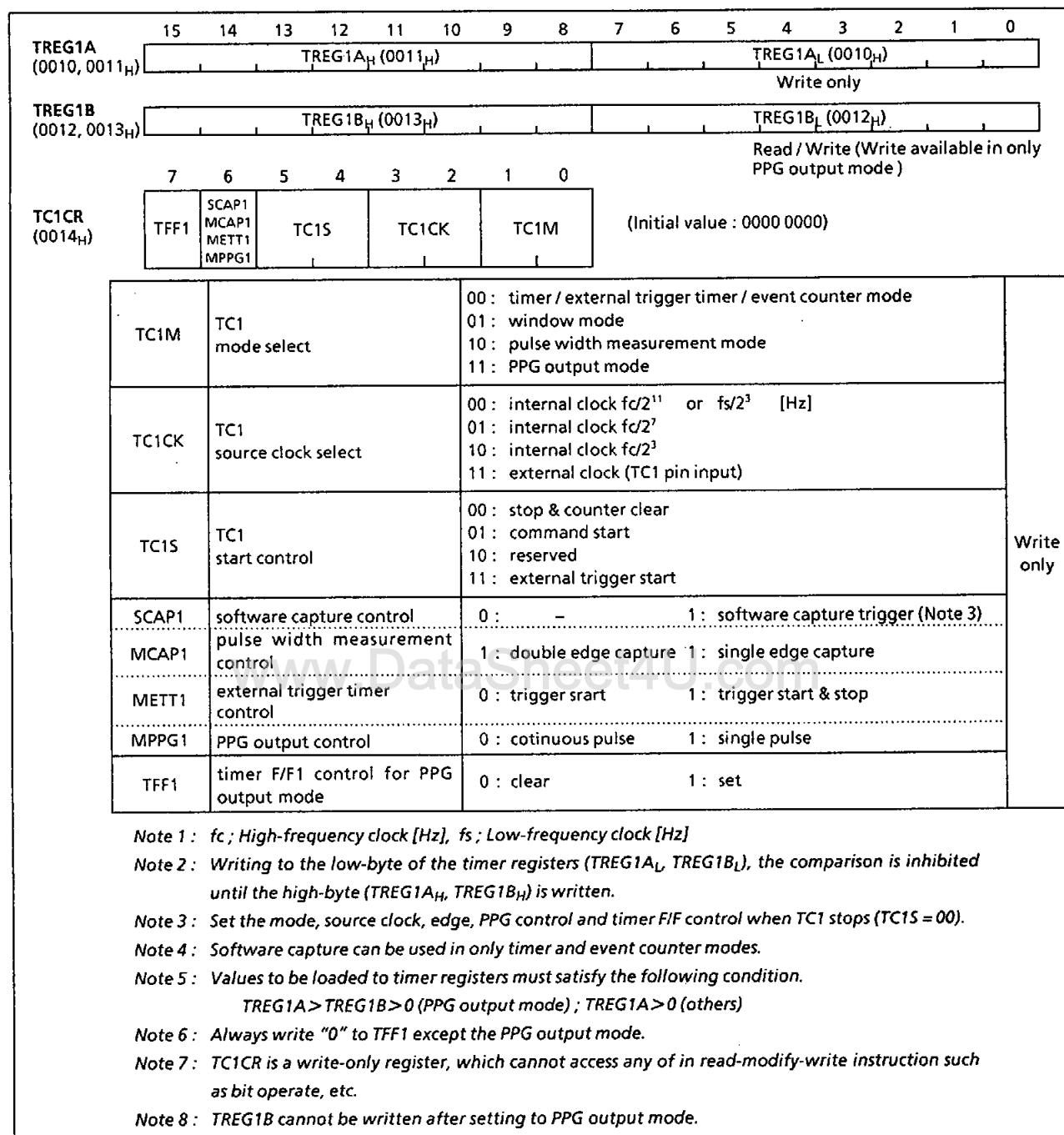


Figure 2-16. Timer Registers and TC1 Control Register



### 2.5.3 Function

Timer/counter 1 has six operating modes: timer, external trigger timer, event counter, window, pulse width measurement, programmable pulse generator output mode.

#### (1) Timer Mode

In this mode, counting up is performed using the internal clock. The contents of TREG1A are compared with the contents of up-counter. If a match is found, an INTTC1 interrupt is generated, and the counter is cleared to "0". Counting up resumes after the counter is cleared. The current contents of up-counter can be transferred to TREG1B by setting SCAP1 (bit 6 in TC1CR) to "1" (software capture function). SCAP1 is automatically cleared after capturing.

Table 2-3. Timer / Counter 1 Source Clock (Internal Clock)

Source clock		SLOW, SLEEP modes	Resolution		Maximum time setting	
NORMAL1/2, IDLE1/2 modes			At $f_c = 8 \text{ MHz}$	At $f_s = 32.768 \text{ kHz}$	At $f_c = 8 \text{ MHz}$	At $f_s = 32.768 \text{ kHz}$
DV7CK = 0	DV7CK = 1					
$f_c/2^3$ [Hz]	$f_c/2^3$ [Hz]	-	1 $\mu\text{s}$	-	65.5 ms	-
$f_c/2^7$	$f_c/2^7$	-	16 $\mu\text{s}$	-	1.0 s	-
$f_c/2^{11}$	$f_s/2^3$	$f_s/2^3$ [Hz]	256 $\mu\text{s}$	244.14 $\mu\text{s}$	16.7 s	16.0 s

Example 1 : Sets the timer mode with source clock  $f_s/2^3$ [Hz] and generates an interrupt 1 [s] later (at  $f_s = 32.768 \text{ kHz}$ ).

```
LD (TC1CR), 00000000B ; Sets the TC1 mode and source clock
LDW (TREG1A), 1000H ; Sets the timer register ( $1 \text{ s} \div 2^3 / f_s = 1000_H$ )
SET (EIRL), EF4 ; Enable INTTC1 interrupt
EI
LD (TC1CR), 00010000B ; Starts TC1
```

Example 2 : Software capture

```
LD (TC1CR), 01010000B ; SCAP1 ← 1 (Captures)
LD WA, (TREG1B) ; Reads captured value
```

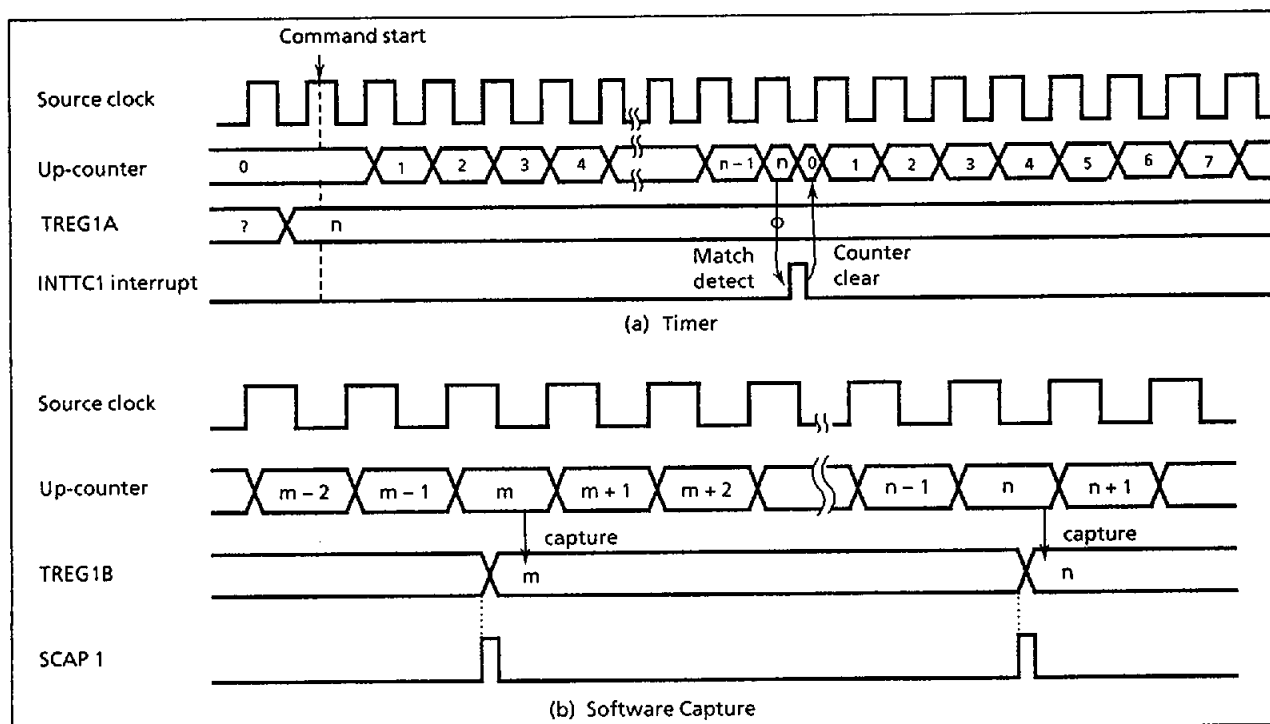


Figure 2-17. Timer Mode Timing Chart

**(2) External Trigger Timer mode**

In this mode, counting up is started by an external trigger. This trigger is the edge of the TC1 pin input. Either the rising or falling edge can be selected with INT2ES. Edge selection is the same as for the external interrupt input INT2 pin. Source clock is used an internal clock selected with TC1CK. The contents of TREG1A is compared with the contents of up-counter. If a match is found, an INTTC1 interrupt is generated, and the counter is cleared to "0" and halted. The counter is restarted by the selected edge of the TC1 pin input.

The TC1 pin input has the same noise rejection as the INT2 pin; therefore, pulses of  $7/f_c$  [s] or less are rejected as noise. A pulse width of  $24/f_c$  [s] or more is required for edge detection in NORMAL1/2 or IDLE1/2 mode. The noise rejection circuit is turned off in SLOW and SLEEP modes. But, a pulse width of  $4/f_s$  [s] or more is required.

**Example 1 :** Detects rising edge (in TC1 pin input) and generates an interrupt  $100 \mu\text{s}$  later.  
(at  $f_c = 8 \text{ MHz}$ )

```
LD   (EINTCR), 00000000B ; INT2ES←0 (rising edge)
LDW  (TREG1A), 0064H     ;  $100 \mu\text{s} \div 2^3/f_c = 64\text{H}$ 
SET  (EIRL). EF4        ; Enables INTTC1
EI
LD   (TC1CR), 00111000B ; Starts TC1 with an external trigger, METT = 0
```

**Example 2 :** Generates an interrupt, inputting "L" level pulse (pulse width: 4 [ms] or more) to the TC1 pin. (at  $f_c = 8 \text{ MHz}$ )

```
LD   (EINTCR), 00000100B ; INT2ES←1 ("L" level)
LDW  (TREG1A), 00FAH     ;  $4 \text{ ms} \div 2^7/f_c = \text{FAH}$ 
SET  (EIRL). EF4        ; Enables INTTC1
EI
LD   (TC1CR), 01110100B ; Starts TC1 with an external trigger, METT = 1
```

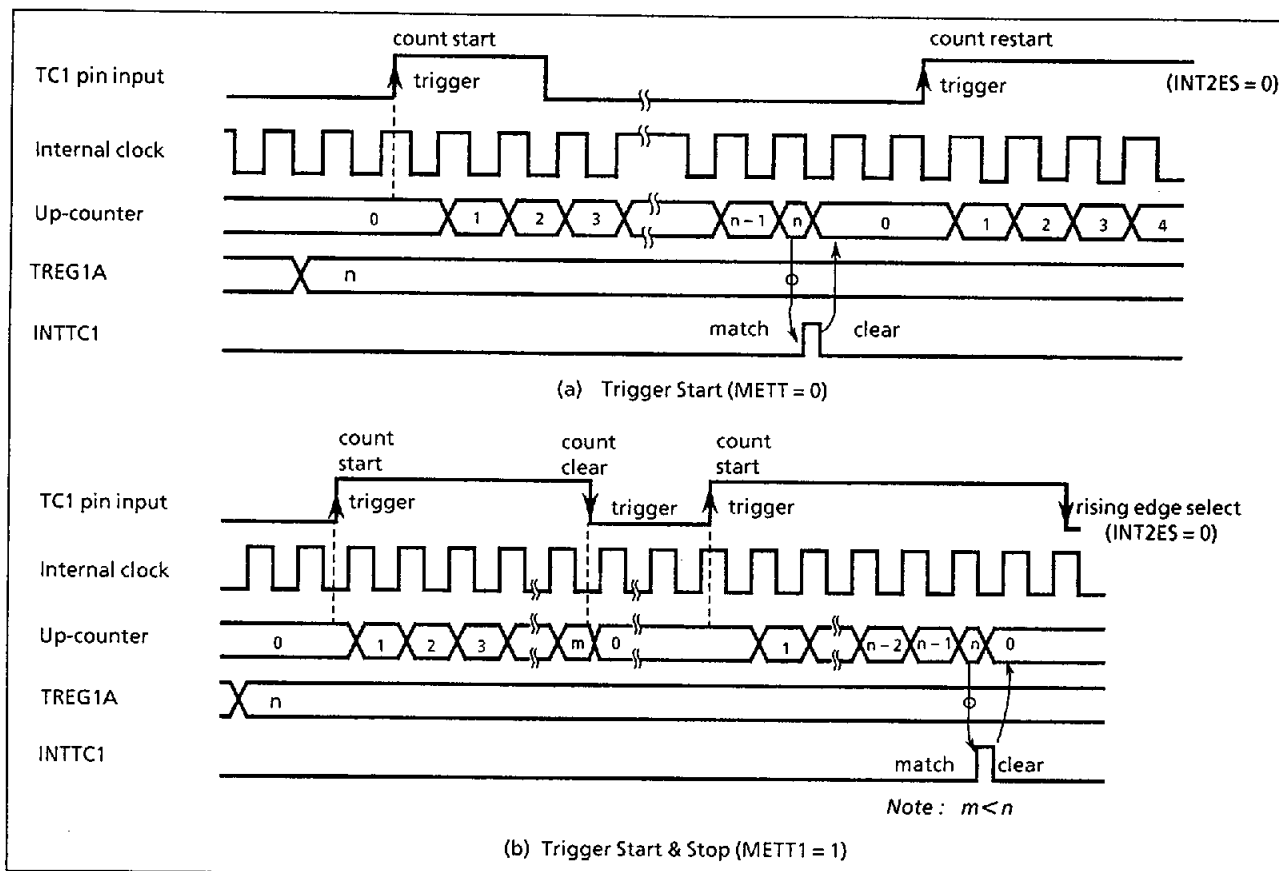


Figure 2-18. External Trigger Timer Mode Timing Chart

### (3) Event Counter Mode

In this mode, events are counted at the edge of the TC1 pin input. Either the rising or falling edge can be selected with INT2ES in EINTCR. The contents of TREG1A are compared with the contents of up-counter. If a match is found, an INTTC1 interrupt is generated, and the counter is cleared. The maximum applied frequency is  $f_c/24$  [Hz] in NORMAL1/2 or IDLE1/2 mode and  $f_s/24$  [Hz] in SLOW or SLEEP mode.

Setting SCAP1 to "1" transfers the current contents of up-counter to TREG1B (software capture function). SCAP1 is automatically cleared after capturing.

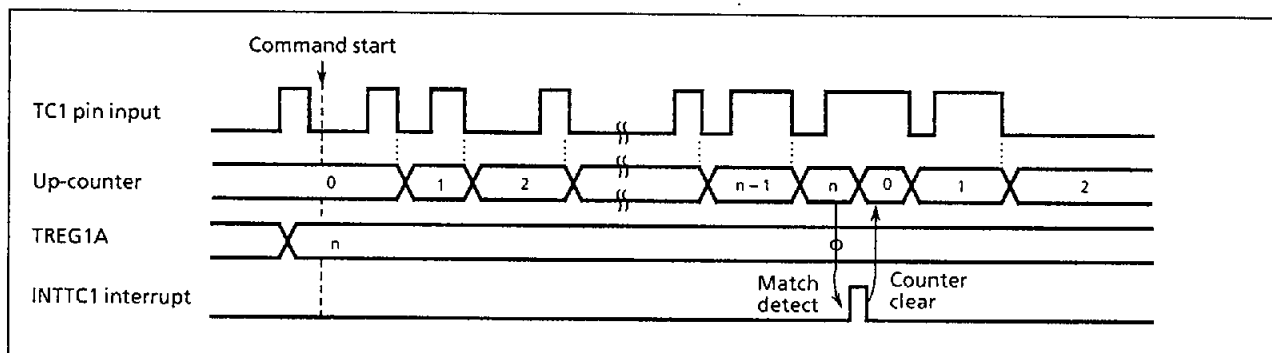


Figure 2-19. Event Counter Mode Timing Chart (INT2ES = 1)

**(4) Window mode**

Counting up is performed on the rising edge of the pulse that is the logical AND-ed product of the TC1 pin input (window pulse) and an internal clock. The contents of TREG1A are compared with the contents of up-counter. If a match is found, an INTTC1 interrupt is generated, and the counter is cleared. Positive or negative logic for the TC1 pin input can be selected with INT2ES. Setting SCAP1 to "1" transfers the current contents of up-counter to TREG1B. It is necessary that the maximum applied frequency (TC1 input) be such that the counter value can be analyzed by the program. That is, the frequency must be considerably slower than the selected internal clock.

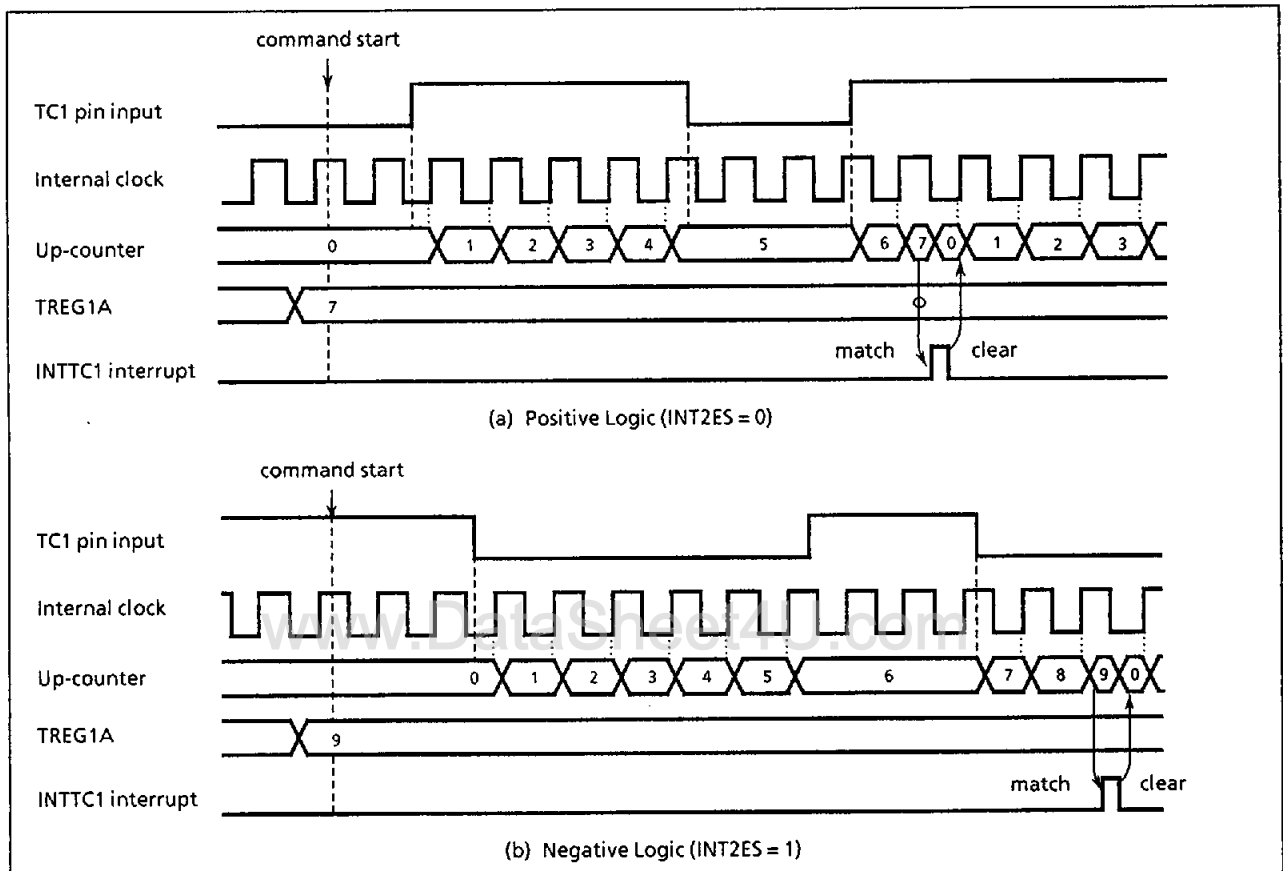


Figure 2-20. Window Mode Timing Chart

**(5) Pulse width measurement mode**

Counting is started by the external trigger (set to external trigger start by TC1S). The trigger can be selected either the rising or falling edge of the TC1 pin input. The source clock is used an internal clock. On the next falling (rising) edge, the counter contents are transferred to TREG1B and an INTTC1 interrupt is generated. The counter is cleared when the single edge capture mode is set. When double edge capture is set, the counter continues and, at the next rising (falling) edge, the counter contents are again transferred to TREG1B. If a falling (rising) edge capture value is required, it is necessary to read out TREG1B contents until a rising (falling) edge is detected. Falling or rising edge is selected with INT2ES, and single edge or double edge is selected with MCAP1 ( bit 6 in TC1CR).

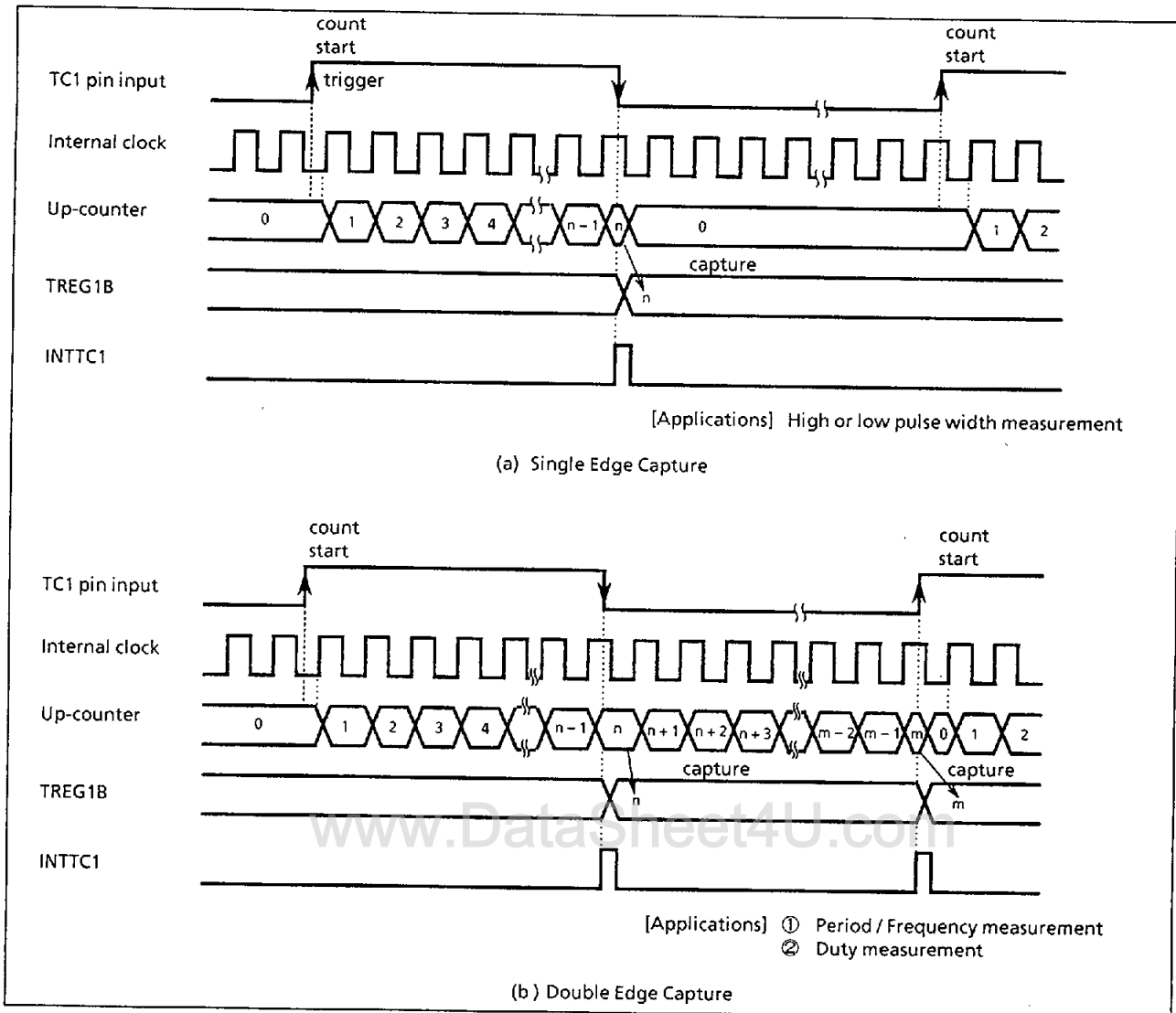


Figure 2-21. Pulse Width Measurement Mode Timing Chart

Example : Duty measurement (Resolution  $fc/2^7$  [Hz])

```

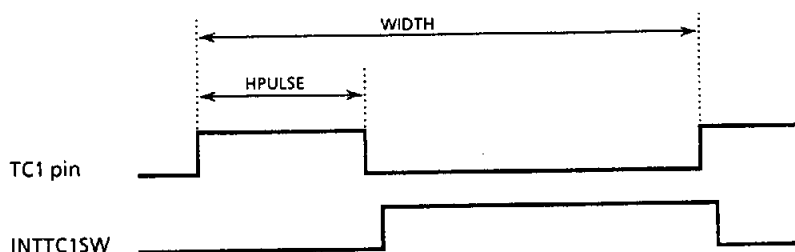
CLR  (INTTC1SW). 0           ; INTTC1 service switch initial setting
LD   (EINTCR), 00000000B    ; Sets the rise edge at the INT2 edge
LD   (TC1CR), 00000110B     ; Sets the TC1 mode and source clock
SET  (EIRL). EF4           ; Enables INTTC1
EI
LD   (TC1CR), 00110110B     ; Starts TC1 with an external trigger
:
PINTTC1 : CPL (INTTC1SW). 0   ; Complements INTTC1 service switch
        JRS  F, SINTTC1
        LD  (HPULSE), (TREG1BL) ; Reads TREG1B
        LD  (HPULSE + 1), (TREG1BH)
        RETI

```

```

SINTTC1: LD (WIDTH), (TREG1BL) ; Reads TREG1B (Period)
          LD (WIDTH + 1), (TREG1BH)
          ⋮
          RETI
          ⋮
VINTTC1: DW PINTTC1

```



#### (6) Programmable Pulse Generate (PPG) output mode

Counting is started by an edge of the TC1 pin input (either the rising or falling edge can be selected) or by a command. The source clock is used an internal clock. First, the contents of TREG1B are compared with the contents of the up-counter. If a match is found, timer F/F1 output is toggled. Next, timer F/F1 is again toggled and the counter is cleared by matching with TREG1A. An INTTC1 interrupt is generated at this time. Timer F/F output is connected to the P14 ( $\overline{\text{PPG}}$ ) pin. In the case of PPG output, set the P14 output latch to "1" and configure as an output with P1CR<sub>4</sub>. Timer F/F1 is cleared to "0" during reset. The timer F/F1 value can also be set by program and either a positive or negative logic pulse output is available. Also, writing to the TREG1B is not possible unless the timer / counter 1 is set to the PPG output mode with TC1M.

www.DataSheet4U.com

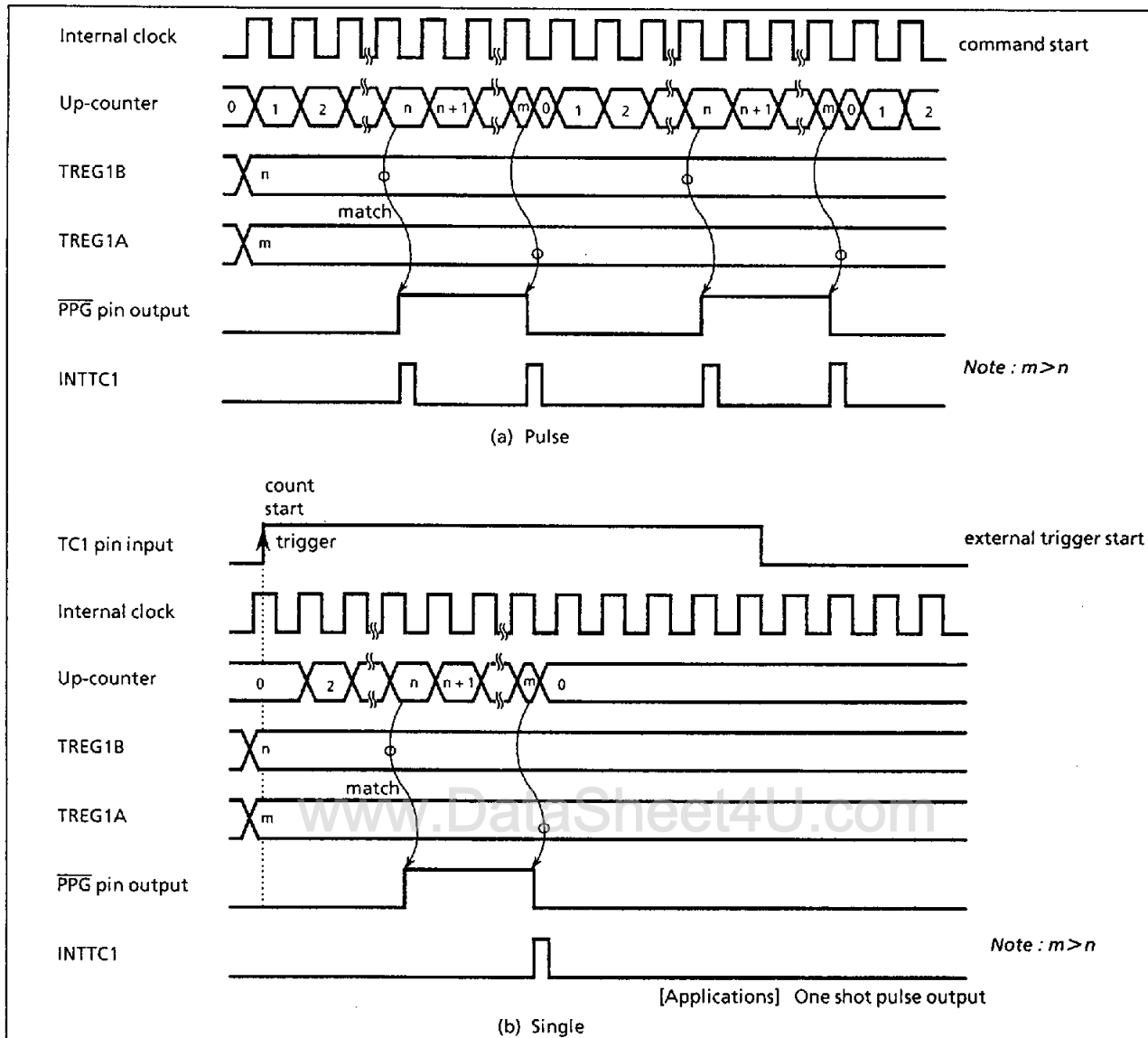


Figure 2-22. PPG Output Mode Timing Chart

Example : Pulse output ("H" level  $\leftarrow 800\mu\text{s}$ , "L" level  $\leftarrow 200\mu\text{s}$ ) (at  $f_c = 8\text{ MHz}$ )

```

SET (P1). 4 ; P14 output latch  $\leftarrow 1$ 
LD (P1CR), 0001000B ; Sets the P14 output mode
LD (TC1CR), 10000011B ; Sets the PPG output mode TFF = 1
LDW (TREG1A), 03E8H ; Sets the period ( $1\text{ ms} \div 1\mu\text{s} = 03E8_H$ )
LDW (TREG1B), 00C8H ; Sets the "L" level pulse width ( $200\mu\text{s} \div 1\mu\text{s} = 00C8_H$ )
LD (TC1CR), 10010011B ; Command start

```

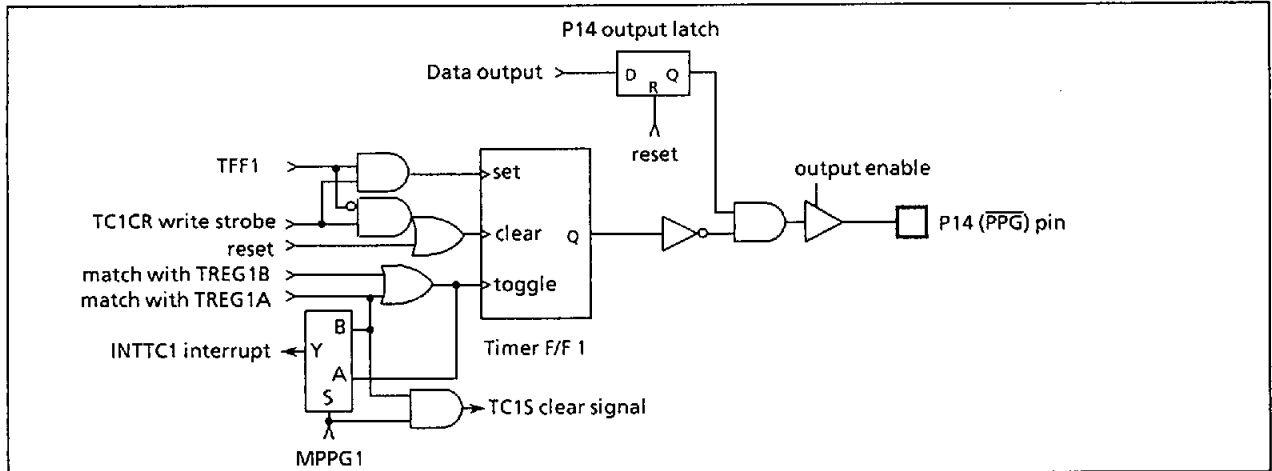


Figure 2-23. PPG Output

## 2.6 16-bit Timer / Counter 2 (TC2)

### 2.6.1 Configuration

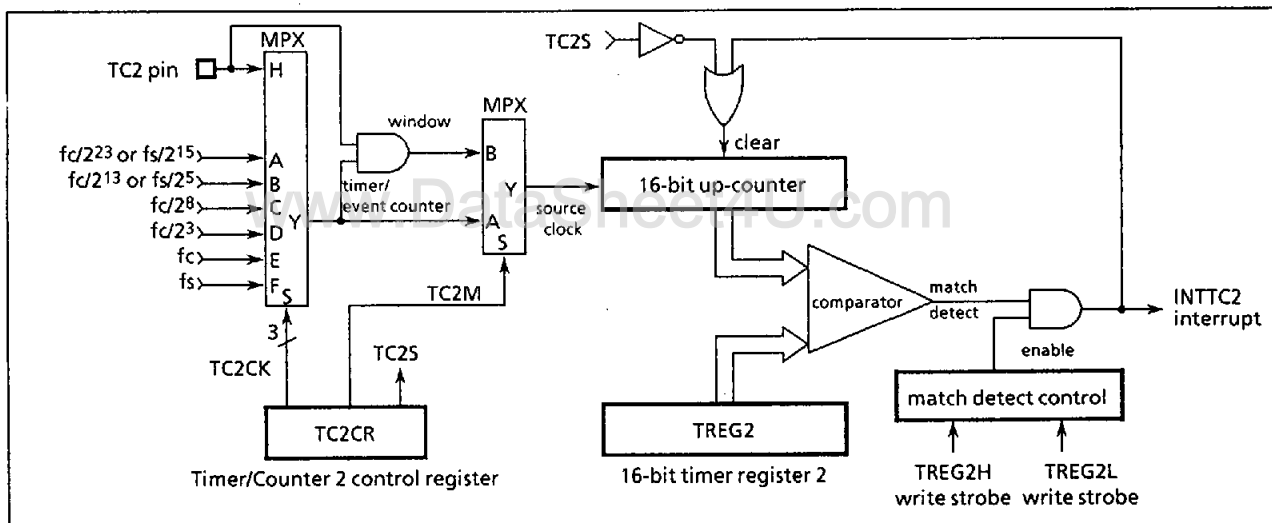


Figure 2-24. Timer / Counter 2 (TC2)



## 2.6.2 Control

The timer / counter 2 is controlled by a timer / counter 2 control register (TC2CR) and a 16-bit timer register 2 (TREG2). Reset does not affect the TREG2.

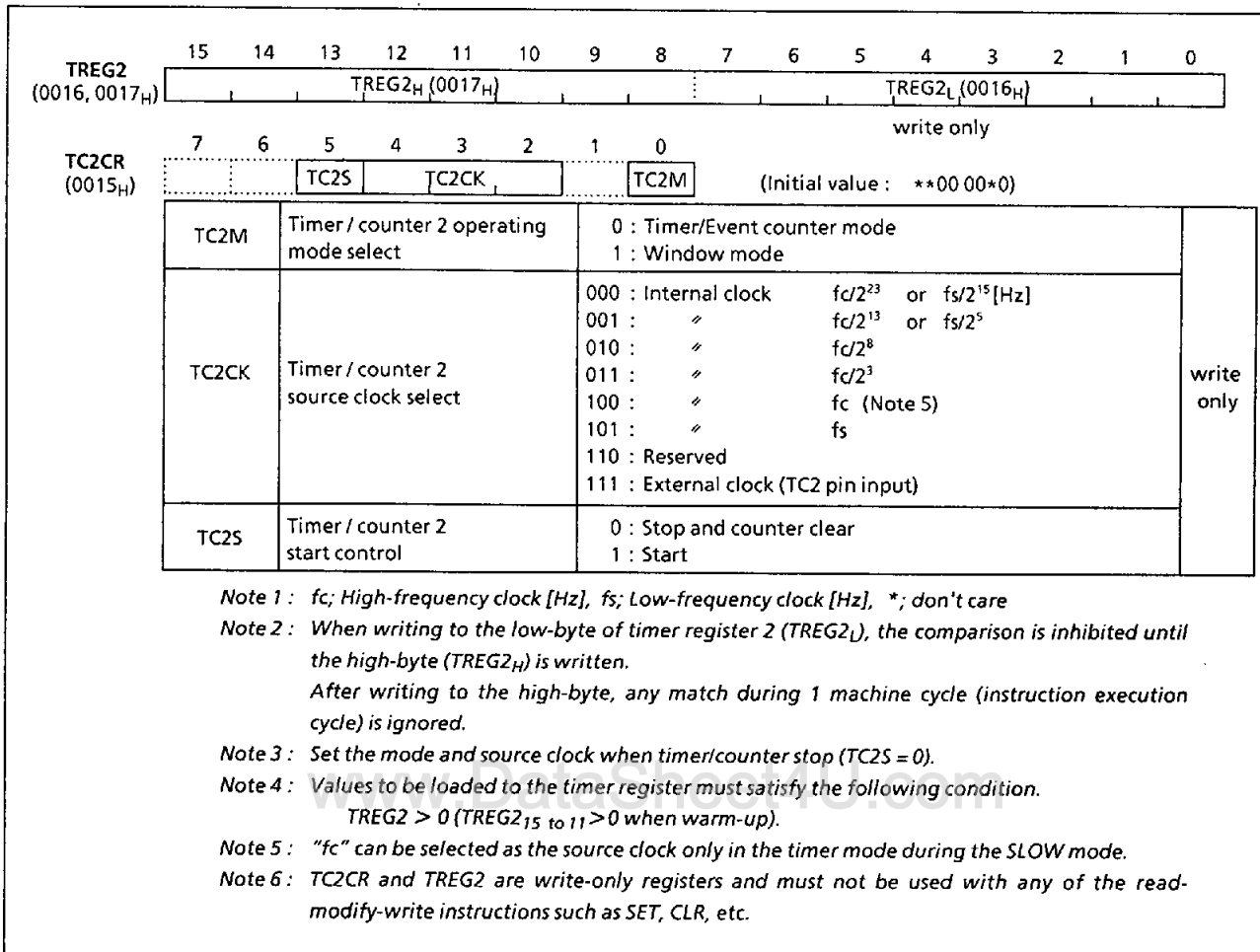


Figure 2-25. Timer Register 2 and TC2 Control Register

## 2.6.3 Function

The timer / counter 2 has three operating modes: timer, event counter and window modes. Also timer / counter 2 is used for warm-up when switching from SLOW mode to NORMAL2 mode.

### (1) Timer Mode

In this mode, the internal clock is used for counting up. The contents of TREG2 are compared with the contents of up-counter. If a match is found, a timer/counter 2 interrupt (INTTC2) is generated, and the counter is cleared. Counting up is resumed after the counter is cleared.

Also, when "fc" is selected as the source clock during SLOW mode, the lower 11 bits of TREG2 are ignored and an INTTC2 interrupt is generated by matching the upper 5 bits. Thus, in this case, only the TREG2<sub>H</sub> setting is necessary.

Table 2-4. Source Clock (Internal Clock) for Timer / Counter 2

Source clock				Resolution		Maximum time setting	
NORMAL1/2, IDLE1/2 mode		SLOW mode	SLEEP mode	At $f_c = 8$ MHz	At $f_s = 32.768$ kHz	At $f_c = 8$ MHz	At $f_s = 32.768$ kHz
DV7CK = 0	DV7CK = 1						
$f_c/2^{23}$ [Hz]	$f_s/2^{15}$ [Hz]	$f_s/2^{15}$ [Hz]	$f_s/2^{15}$ [Hz]	1.05 s	1 s	19.1 hour	18.2 hour
$f_c/2^{13}$	$f_s/2^5$	$f_s/2^5$	$f_s/2^5$	1.02 ms	1 ms	1.1 min	1 min
$f_c/2^8$	$f_c/2^8$	-	-	32 $\mu$ s		2.1 s	
$f_c/2^3$	$f_c/2^3$	-	-	1 $\mu$ s		65.5 ms	
-	-	$f_c$ (Note)	-	125 ns		7.9 ms	
$f_s$	$f_s$	-	-	-	30.5 $\mu$ s	-	2 s

Note : "fc" can be used only in the timer mode.

Example : Sets the timer mode with source clock  $f_c/2^3$  [Hz] and generates an interrupt every 25 ms (at  $f_c = 8$  MHz).

```
LD    (TC2CR), 00001100B ; Sets the TC2 mode and source clock
LDW   (TREG2), 61A8H    ; Sets TREG2 (25 ms  $\div$   $2^3/f_c = 61A8H$ )
SET   (EIRH), EF14     ; Enables INTTC2 interrupt
EI
LD    (TC2CR), 00101100B ; Starts TC2
```

### (2) Event Counter Mode

In this mode, events are counted on the rising edge of the TC2 pin input. The contents of TREG2 are compared with the contents of the up-counter. If a match is found, an INTTC2 interrupt is generated, and the counter is cleared. The maximum frequency applied to the TC2 pin is  $f_c/2^4$  [Hz] in NORMAL1/2 or IDLE1/2 mode, and  $f_s/2^4$  [Hz] in SLOW or SLEEP mode. Two or more machine cycles are required for both the "H" and "L" levels of the pulse width.

Example : Sets the event counter mode and generates an INTTC2 interrupt 640 counts later.

```
LD    (TC2CR), 00011100B ; Sets the TC2 mode
LDW   (TREG2), 640        ; Sets TREG2
SET   (EIRH), EF14       ; Enables INTTC2
EI
LD    (TC2CR), 00111100B ; Starts TC2
```

### (3) Window Mode

In this mode, counting up is performed on the rising edge of the pulse that is the logical AND-ed product of the TC2 pin input (window pulse) and an internal clock. The internal clock is selected with TC2CK. The contents of TREG2 are compared with the contents of up-counter. If a match is found, an INTTC2 interrupt is generated, and the up-counter is cleared to "0". It is necessary that the maximum applied frequency (TC2 input) be such that the counter value can be analyzed by the program. That is, the frequency must be considerably slower than the selected internal clock.

Example : Generates an interrupt, inputting "H" level pulse width of 120 [ms] or more.

```
(at  $f_c = 8$  MHz)
LDW   (TREG2), 0078H     ; Sets the TREG2 (120 ms  $\div$   $2^{13}/f_c = 0078H$ )
SET   (EIRH), EF14     ; Enables INTTC2
EI
LD    (TC2CR), 00100101B ; Starts TC2
```

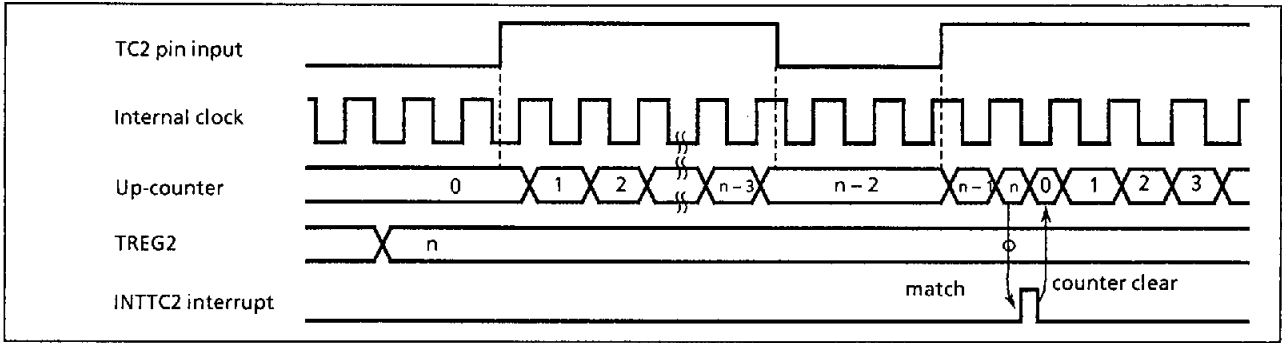


Figure 2-26. Window Mode Timing Chart

## 2.7 8-Bit Timer / Counter 3 (TC3)

### 2.7.1 Configuration

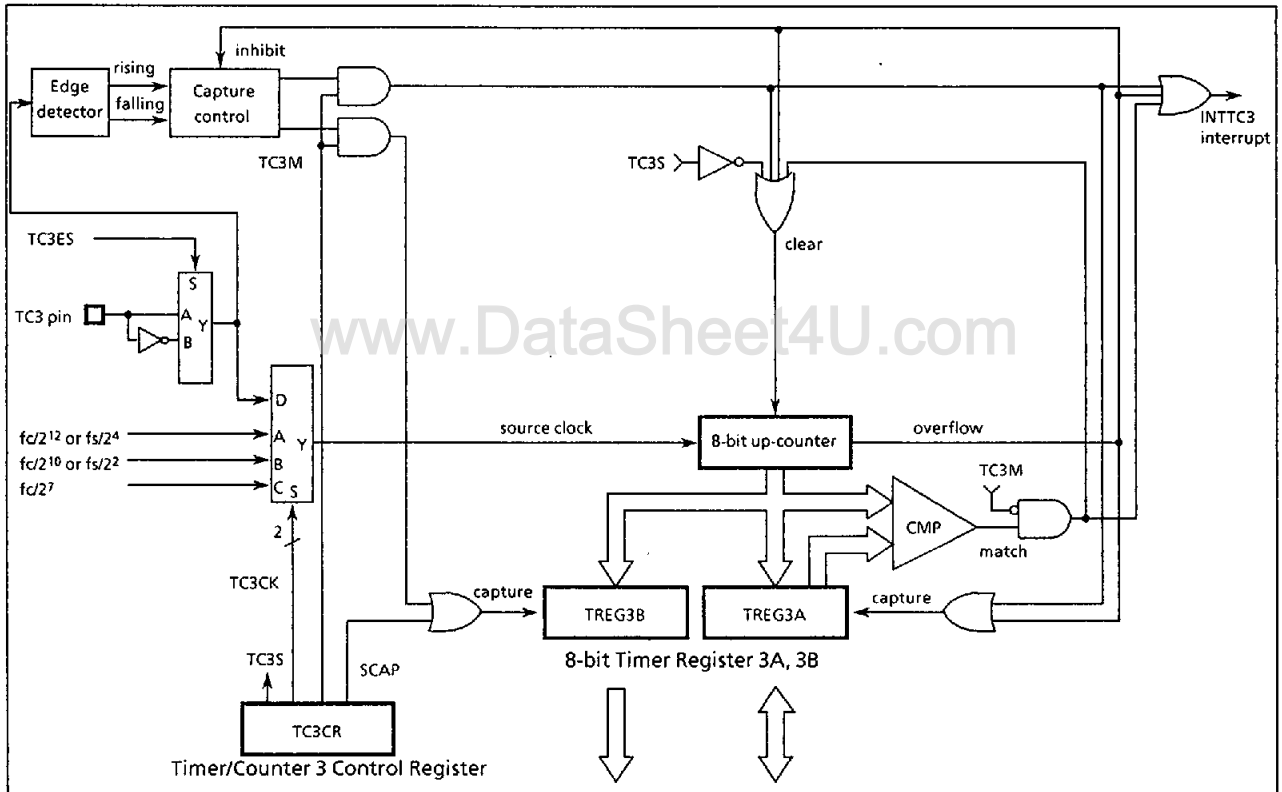


Figure 2-27. Timer / Counter 3

## 2.7.2 Control

The timer / counter 3 is controlled by a timer / counter 3 control register (TC3CR) and two 8-bit timer registers (TREG3A and TREG3B). Reset does not affect these timer registers.

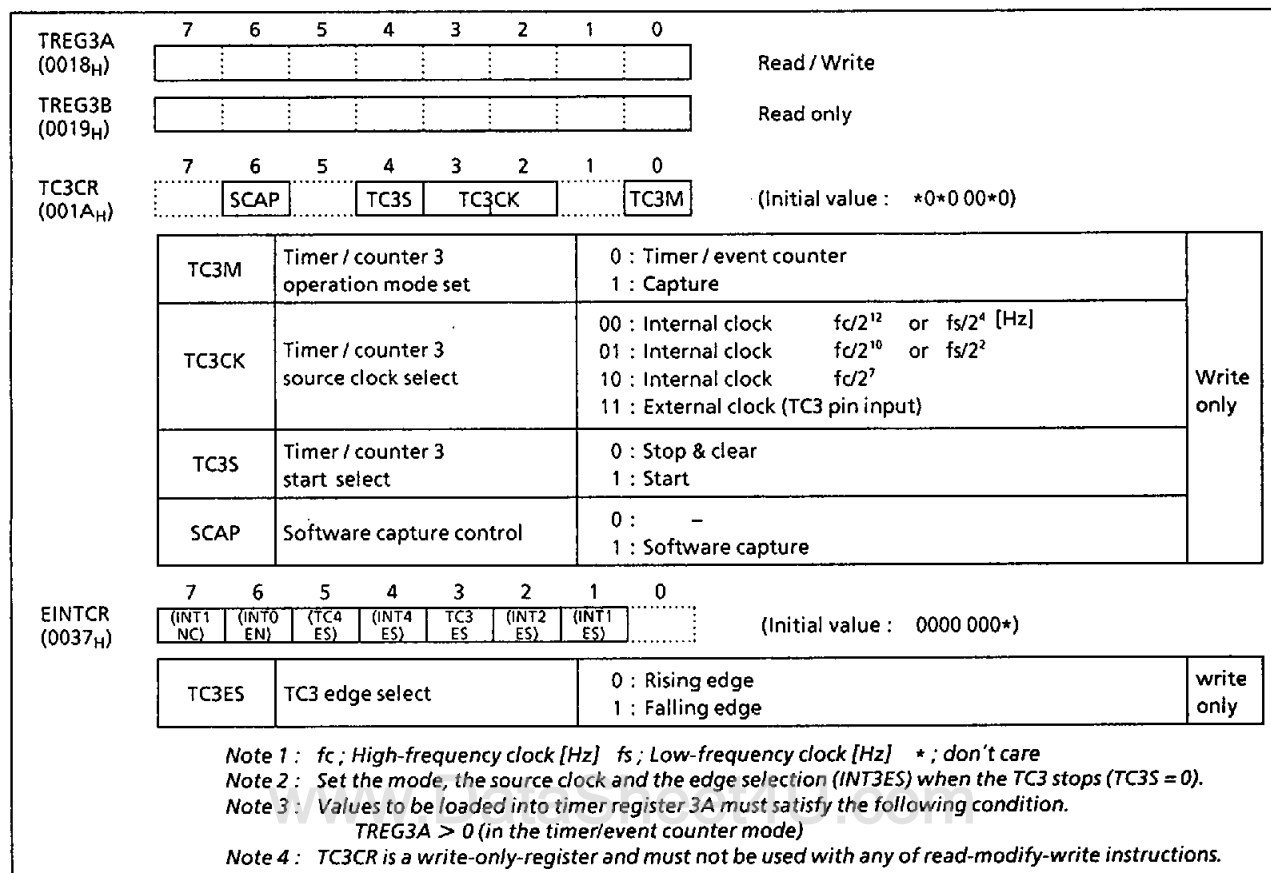


Figure 2-28. Timer Register 3 and TC3 Control Registers

## 2.7.3 Function

The timer / counter 3 has three operating modes : timer, event counter, and capture mode.

### (1) Timer Mode

In this mode, the internal clock shown in Table 2-5 is used for counting up. The contents of TREG3A are compared with the contents of up-counter. If a match is found, a timer / counter 3 interrupt (INTTC3) is generated, and the up-counter is cleared. Counting up resumes after the up-counter is cleared. The current contents of up-counter are loaded into TREG3B by setting SCAP (bit 6 in TC3CR) to "1". SCAP is automatically cleared after capturing.

Table 2-5. Source Clock (Internal Clock) for Timer Counter 3

Source clock		Resolution		Maximum setting time	
NORMAL1/2, IDLE1/2 mode	SLOW, SLEEP mode	$f_c = 8$ MHz	$f_s = 32.768$ kHz	$f_c = 8$ MHz	$f_s = 32.768$ kHz
$f_c/2^{12}$ or $f_s/2^4$ [Hz]	$f_s/2^4$ [Hz]	512 $\mu$ s	488.28 $\mu$ s	131.1 ms	124.5 ms
$f_c/2^{10}$ or $f_s/2^2$	-	128 $\mu$ s	122.07 $\mu$ s	32.6 ms	31.12 ms
$f_c/2^7$	-	16 $\mu$ s	-	4.1 ms	-

**(2) Event Counter Mode**

In this mode, the TC3 pin input pulses are used for counting up. Either the rising or falling edge can be selected with TC3ES (bit 3 in EINTCR). The contents of TREG3A are compared with the contents of the up-counter. If a match is found, an INTTC3 interrupt is generated and the counter is cleared. The maximum applied frequency is  $fc/2^4$  [Hz] in NORMAL1/2 or IDLE1/2 mode, and  $fs/2^4$  [Hz] in SLOW or SLEEP mode. Two or more machine cycles are required for both the high and low levels of the pulse width.

The current contents of up-counter are loaded into TREG3B by setting SCAP (bit 6 in TC3CR) to "1". SCAP is automatically cleared after capturing.

Example : Generates an interrupt every 0.5 [s], inputting 50Hz pulses to the TC3 pin.

```
LD (TC3CR), 00001100B ; Sets TC3 mode and source clock
LD (TREG3A), 19H ; 0.5 [s] ÷ 1/50 = 25 = 19H
SET (EIRH).EF8 ; Enables INTTC3 interrupt
EI
LD (TC3CR), 00011100B ; Start TC3
```

**(3) Capture Mode**

The pulse width, period and duty of the TC3 pin input are measured in this mode, which can be used in decoding the remote control signals, etc. The counter is free running by the internal clock. On the rising (falling) edge of the TC3 pin input, the current contents of counter is loaded into TREG3A, then the up-counter is cleared to "0" and an INTTC3 interrupt is generated. On the falling (rising) edge of the TC3 pin input, the current contents of the counter is loaded into TREG3B. In this case, counting continues. On the next rising (falling) edge of the TC3 pin input, the current contents of counter are loaded into TREG3A, then the counter is cleared again and an interrupt is generated. If the counter overflows before the edge is detected, FF<sub>H</sub> is set into TREG3A, and the counter is cleared and an overflow interrupt (INTTC3) is generated. During interrupt processing, it can be determined whether or not there is an overflow by checking whether or not the TREG3A value is FF<sub>H</sub>. Also, after an interrupt (capture to TREG3A, or overflow detection) is generated, capture and overflow detection are halted until TREG3A has been read out; however, the counter continues.

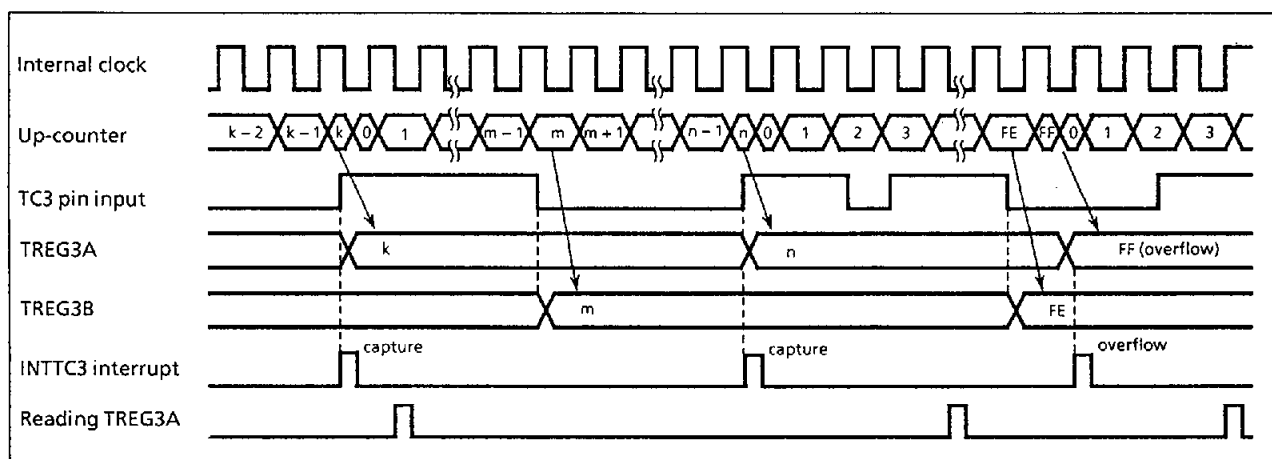


Figure 2-29. Timing Chart for Capture Mode (TC3ES = 0)

## 2.8 8-bit Timer / Counter (TC4)

### 2.8.1 Configuration

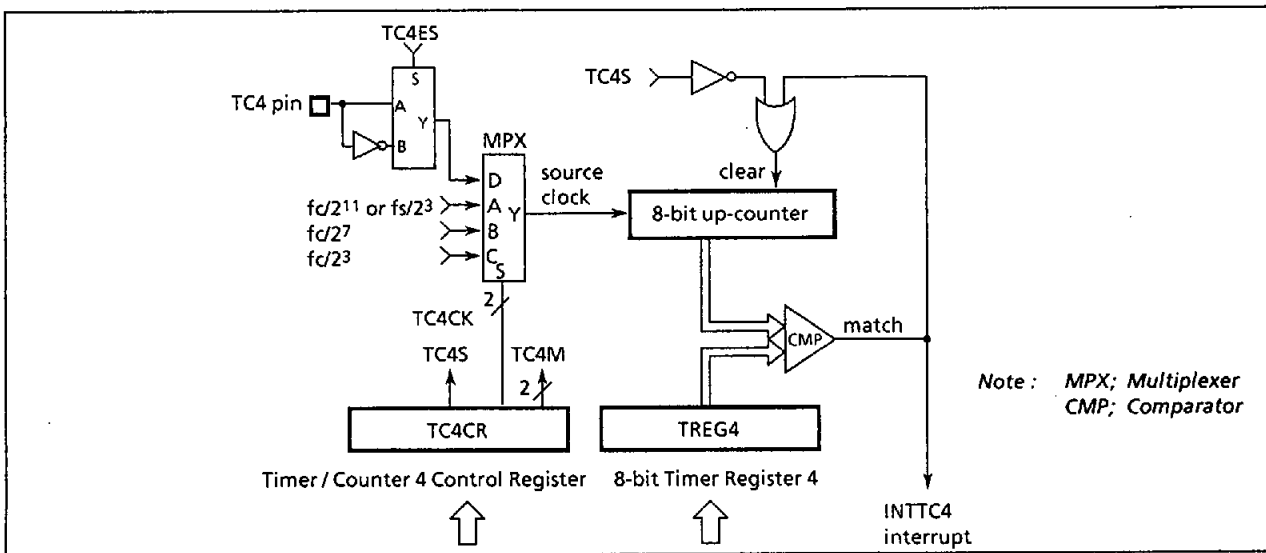


Figure 2-30. Timer / Counter 4

### 2.8.2 Control

The timer / counter 4 is controlled by a timer / counter 4 control register (TC4CR) and an 8-bit timer register 4 (TREG4). Reset does not affect TREG4.

www.DataSheet4U.com

TREG4 (0018 <sub>H</sub> )	7	6	5	4	3	2	1	0	Write only
	[ 7-bit field ]								
TC4CR (001C <sub>H</sub> )	7	6	5	4	3	2	1	0	(Initial value : 00*0 0000)
	"1"	"1"		TC4S	TC4CK		TC4M		
TC4M	TC4 operating mode select		00 : Timer/event counter mode 01 : Reserved 1* : Reserved		write only				
TC4CK	TC4 source clock select		00 : Internal clock $fc/2^{11}$ or $fs/2^3$ [Hz] 01 : Internal clock $fc/2^7$ 10 : Internal clock $fc/2^3$ 11 : External clock (TC4 pin input)						
TC4S	TC4 start control		0 : Stop and counter clear 1 : Start						
EINTCR (0037 <sub>H</sub> )	7	6	5	4	3	2	1	0	(Initial value : 0000 000*)
	(INT1 NC)	(INT0 EN)	TC4 ES	(INT4 ES)	(TC3 ES)	(INT2 ES)	(INT1 ES)		
TC4ES	TC4 edge select		0 : Rising edge 1 : Falling edge		write only				
<p>Note 1 : <math>fc</math>; High-frequency clock [Hz], <math>fs</math>; Low-frequency clock [Hz], *; don't care</p> <p>Note 2 : Set the operating mode, the source clock selection and the edge selection (TC4ES) when the TC4 stops (TC4S = 0).</p> <p>Note 3 : Always write "1" to bit 7 and bit 6 in TC4CR.</p> <p>Note 4 : Values to be loaded to the timer register must satisfy the following condition. TREG4 &gt; 0</p> <p>Note 5 : TC4CR, EINTCR and the TREG4 are write-only registers and must not be used with any of the read-modify-write instructions such as SET, CLR, etc.</p>									

Figure 2-31. Timer Register 4 and TC4 Control Registers

### 2.8.3 Function

The timer / counter 4 has two operating modes : timer and event counter mode.

#### (1) Timer Mode

In this mode, the internal clock is used for counting up. The contents of TREG4 are compared with the contents of up-counter. If a match is found, a timer/counter 4 interrupt (INTTC4) is generated and the counter is cleared. Counting up resumes after the counter is cleared.

Table 2-6. Source Clock (Internal Clock) for Timer/Counter 4

Source clock		Resolution		Maximum setting time	
NORMAL1/2, IDLE1/2 mode	SLOW, SLEEP mode	At $fc = 8$ MHz	At $fs = 32.768$ kHz	At $fc = 8$ MHz	At $fs = 32.768$ kHz
$fc/2^{11}$ or $fs/2^3$ [Hz]	$fs/2^3$ [Hz]	256 $\mu$ s	244.14 $\mu$ s	65.28 ms	62.25 ms
$fc/2^7$	—	16 $\mu$ s	—	4.08 ms	—
$fc/2^3$	—	1 $\mu$ s	—	255 $\mu$ s	—

## (2) Event Counter Mode

In this mode, the TC4 pin input (external clock) pulse is used for counting up. Either the rising or falling edge can be selected with TC4ES (bit 5 in EINTCR). The contents of TREG4 are compared with the contents of the up-counter. If a match is found, an INTTC4 interrupt is generated and the counter is cleared. The maximum applied frequency is  $f_c/2^4$  [Hz] in NORMAL1/2 or IDLE1/2 mode, and  $f_s/2^4$  [Hz] in SLOW or SLEEP mode. Two or more machine cycles are required for both the high and low levels of the pulse width.

## 2.9 Serial Bus Interface (SBI)

The 87CH37/K37/M37 has a 1-channel serial bus interface which employs a clocked-synchronous 8-bit serial bus interface and an I<sup>2</sup>C bus (a bus system by Philips).

The serial bus interface is connected to an external device through P35 (SDA) and P34 (SCL) in the I<sup>2</sup>C bus mode; and through P36 ( $\overline{SCK}$ ), P35 (SO), and P34 (SI) in the clocked-synchronous 8-bit SIO mode.

The serial bus interface pins are also used for the P3 port. When used for serial bus interface pins, set the P3 output latches of these pins to "1". When not used for serial bus interface pins, the P3 port is used as a normal I/O port.

### 2.9.1 Configuration

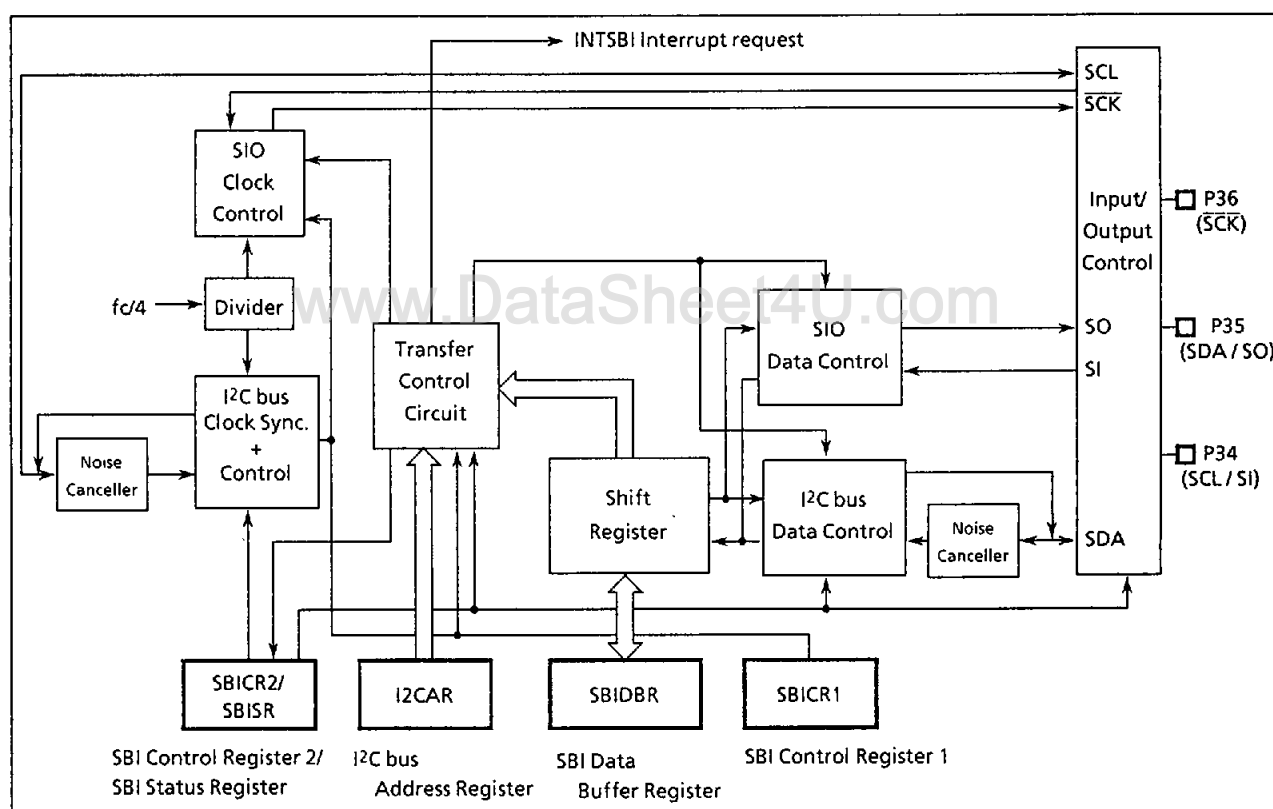


Figure 2-32. Serial Bus Interface (SBI)



### 2.9.2 Serial Bus Interface (SBI) Control

The following registers are used for control and operation status monitoring when using the serial bus interface (SBI).

- Serial bus interface control register 1 (SBICR1)
- Serial bus interface control register 2 (SBICR2)
- Serial bus interface data buffer register (SBIDBR)
- I<sup>2</sup>C bus address register (I2CAR)
- Serial bus interface status register (SBISR)

The above registers differ depending on a mode to be used.

Refer to Section "2.9.4 I<sup>2</sup>C bus Mode Control" and "2.9.6 Clocked-synchronous 8-bit SIO Mode Control".

### 2.9.3 The Data Formats in the I<sup>2</sup>C bus Mode

The data formats when using the 87CH37/K37/M37 in the I<sup>2</sup>C bus mode are shown below.

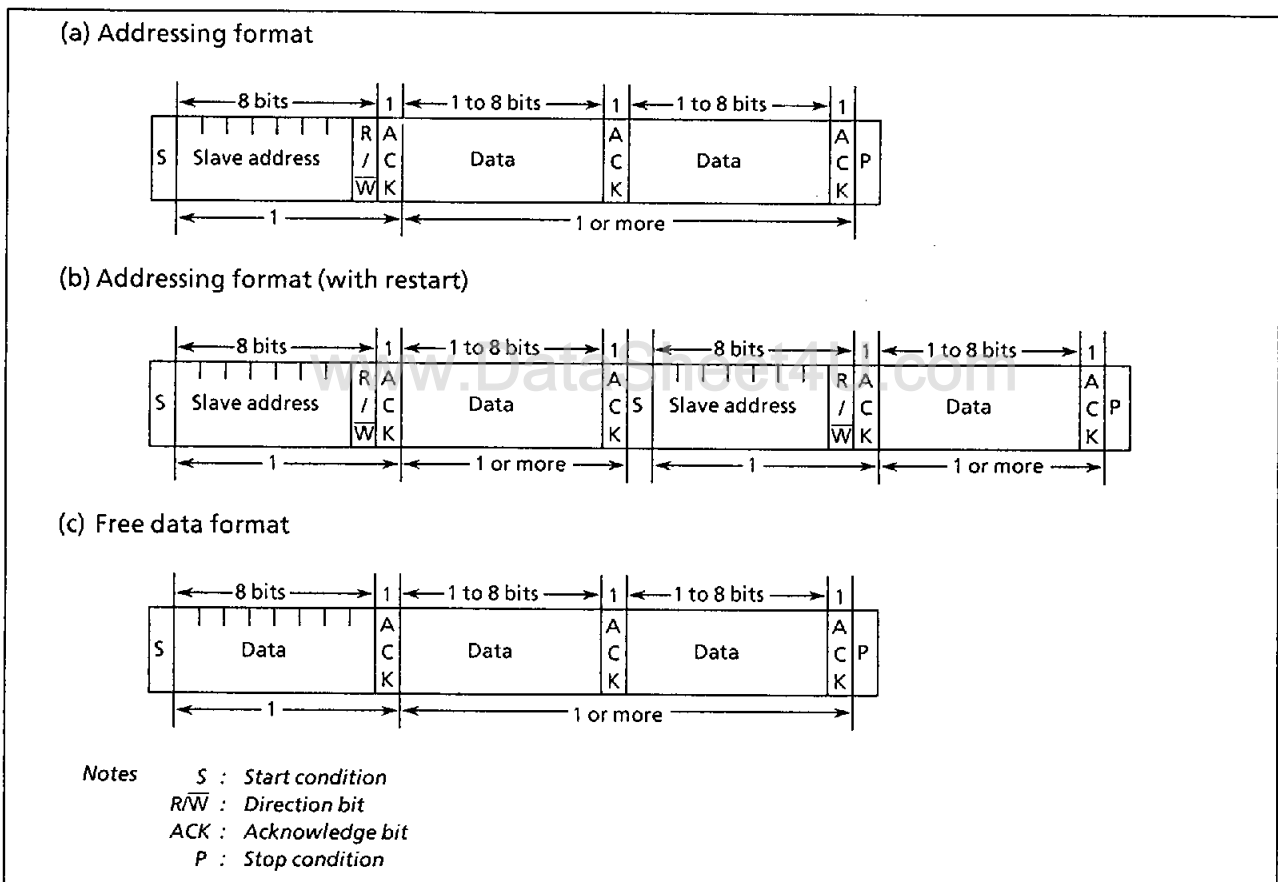


Figure 2-33. Data Format

### 2.9.4 I<sup>2</sup>C Bus Mode Control

The following registers are used for control and operation status monitoring when using the serial bus interface (SBI) in the I<sup>2</sup>C bus mode.

Serial Bus Interface Control Register 1								
SBICR1 (0020 <sub>H</sub> )								
7	6	5	4	3	2	1 0		
BC		ACK		SCK				
(Initial value 0000 *000)								
BC	Number of transferred bits	BC	ACK = 0		ACK = 1		Write only	
			Number of Clock	Bits	Number of Clock	Bits		
			000	8	8	9		8
			001	1	1	2		1
			010	2	2	3		2
			011	3	3	4		3
			100	4	4	5		4
			101	5	5	6		5
110	6	6	7	6				
111	7	7	8	7				
ACK	Acknowledge mode specification	0 : Not generate clock pulse for acknowledge signal (in master mode) / Not count clock pulse for acknowledge signal (in slave mode) 1 : Generate clock pulse for acknowledge signal (in master mode) / Count clock pulse for acknowledge signal (in slave mode)				Read/Write		
SCK	Serial clock selection	000 : 181.8 kHz 001 : 105.3 kHz 010 : 57.1 kHz 011 : 29.9 kHz 100 : 15.3 kHz 101 : 7.72 kHz 110 : 3.88 kHz 111 : reserved				Write only		
Note 1 : <i>fc</i> ; high-frequency clock [Hz], * ; don't care Note 2 : Set the BC to "000" before switching to a clock-synchronous 8-bit SIO mode. Note 3 : SBICR1 has write-only register bits, which cannot access any of in read-modify-write instructions such as bit operate, etc.								
Serial Bus Interface Data Buffer Register								
SBIDBR (0021 <sub>H</sub> )								
7	6	5	4	3	2	1 0		
(Initial value **** *) Read / Write								
Note 1 : When writing transmitted data, start from the MSB. Note 2 : Cannot read the data which was written into SBIDBR, since a write data buffer and a read data buffer are independent in SBIDBR. Therefore, cannot access it any of in read-modify-write instructions such as bit operate, etc. Note 3 : * ; don't care								
I <sup>2</sup> C bus Address Register								
I <sup>2</sup> CAR (0022 <sub>H</sub> )								
7	6	5	4	3	2	1 0		
Slave address						ALS		
SA6	SA5	SA4	SA3	SA2	SA1	SA0		
(Initial value 0000 0000)								
SA	87CH37/K37/M37 slave address selection					Write only		
ALS	Address recognition mode specification							
						0 : Slave address recognition		
						1 : Non slave address recognition		
Note : I <sup>2</sup> CAR is a write-only register, which cannot access any of in read-modify-write instructions such as bit operate, etc.								

Figure 2-34. Serial Bus Interface Control Register 1 / Serial Bus Interface Data Buffer Register / I<sup>2</sup>C bus Address Register in the I<sup>2</sup>C bus Mode

Serial Bus Interface Control Register 2										
SBICR2 (0023 <sub>H</sub> )										
7	6	5	4	3	2	1	0			
MST	TRX	BB	PIN	SBIM		"0"	"0"	(Initial value 0001 00**)		
MST	Master / slave selection (Write), Status monitor (Read)		0 : Slave 1 : Master				Read/ Write			
TRX	Transmitter / receiver selection (Write), Status monitor (Read)		0 : Receiver 1 : Transmitter							
BB	Start / stop generation (Write), I <sup>2</sup> C bus status monitor (Read)		0 : Generate the stop condition when the MST, TRX, and PIN are "1". (Write), Bus free (Read) 1 : Generate the start condition when the MST, TRX, and PIN are "1". (Write), Bus busy (Read)							
PIN	Cancel interrupt service request(Write), Interrupt service request status monitor (Read)		0 : - (Write), Interrupt service requested (Read) 1 : Cancel interrupt service request (Write), Canceled (Read)							
SBIM	Serial bus interface operating mode selection		00 : Port mode (serial bus interface output disable) 01 : SIO mode 10 : I <sup>2</sup> C bus mode 11 : Reserved				Write only			
<p>Note 1 : * : don't care</p> <p>Note 2 : Switch a mode to port mode after confirming that the bus is free.</p> <p>Note 3 : Switch a mode to I<sup>2</sup>Cbus mode after confirming that input signals via port are high level.</p> <p>Note 4 : SBICR2 has write-only register bits, which can not access any of in read-modify-write instructions such as bit operate, etc.</p> <p>Note 5 : Write "0" to bit 1, 0 in the SBICR2.</p>										
Serial Bus Interface Status Register										
SBISR (0023 <sub>H</sub> )										
7	6	5	4	3	2	1	0			
MST	TRX	BB	PIN	AL	AAS	AD0	LRB	(Initial value 0001 0000)		
AL	Arbitration lost detection monitor		0 : - 1 : Arbitration lost detected				Read only			
AAS	Slave address match detection monitor		0 : - 1 : Slave address match or "GENERAL CALL" detected							
AD0	"GENERAL CALL" detection monitor		0 : - 1 : "GENERAL CALL" detected							
LRB	Last received bit monitor		0 : Last received bit "0" 1 : Last received bit "1"							

Figure 2-35. Serial Bus Interface Control Register 2 / Serial Bus Interface Status Register in the I<sup>2</sup>Cbus Mode

#### (1) Acknowledge mode specification

Set the ACK (bit 4 in the SBICR1) to "1" for operation in the acknowledge mode. The 87CH37/K37/M37 generates an additional clock pulse for an acknowledge signal when operating in the master mode, and it counts a clock pulse for an acknowledge signal when operating in the slave mode. In the transmitter mode during this clock pulse cycle, the SDA pin is released in order to receive the acknowledge signal from the receiver. In the receiver mode during this clock pulse cycle, the SDA pin is set to the low level in order to generate the acknowledge signal.

Clear the ACK to "0" for operation in the non-acknowledge mode. The 87CH37/K37/M37 does not generate a clock pulse for the acknowledge signal when operating in the master mode, and it does not count a clock pulse for the acknowledge signal when operating in the slave mode.

## (2) Number of transfer bits

The BC (bits 7 to 5 in the SBICR1) is used to select a number of bits for next transmitting and receiving data.

Since the BC is cleared to "000" by a start condition, a slave address and direction bit transmissions are executed in 8 bits. Other than these, the BC retains a specified value.

## (3) Serial clock

## a. Clock source

The SCK (bits 2 to 0 in the SBICR1) is used to select a maximum transfer frequency outputted on the SCL pin in the master mode.

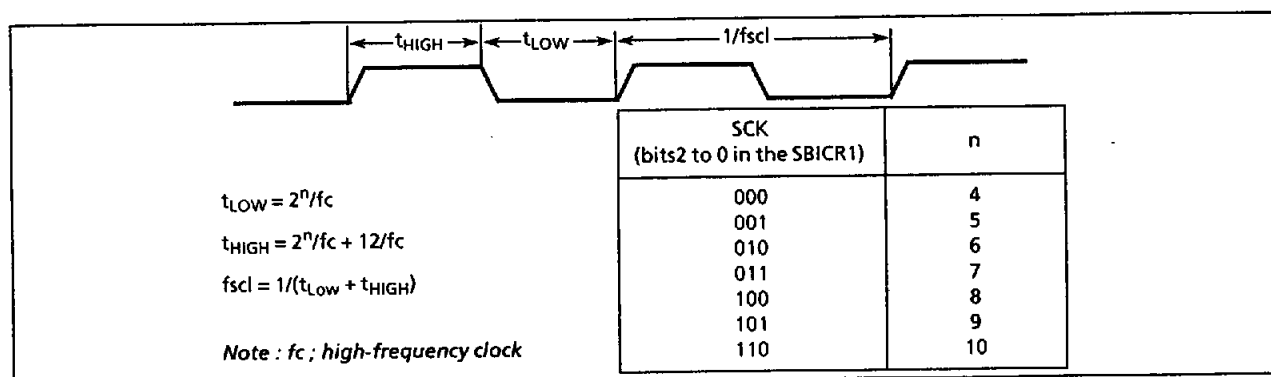


Figure 2-36. Clock Source

## b. Clock synchronization

In the I<sup>2</sup>C bus mode, in order to wired-AND a bus, a master device which pulls down a clock line to low-level, in the first place, invalidate a clock pulse of another master device which generates a high-level clock pulse. The master device with a high-level clock pulse needs to detect the situation and implement the following procedure.

The 87CH37/K37/M37 have a clock synchronization function for normal data transfer even when more than one master exists on a bus.

The example explains clock synchronization procedures when two masters simultaneously exist on a bus.

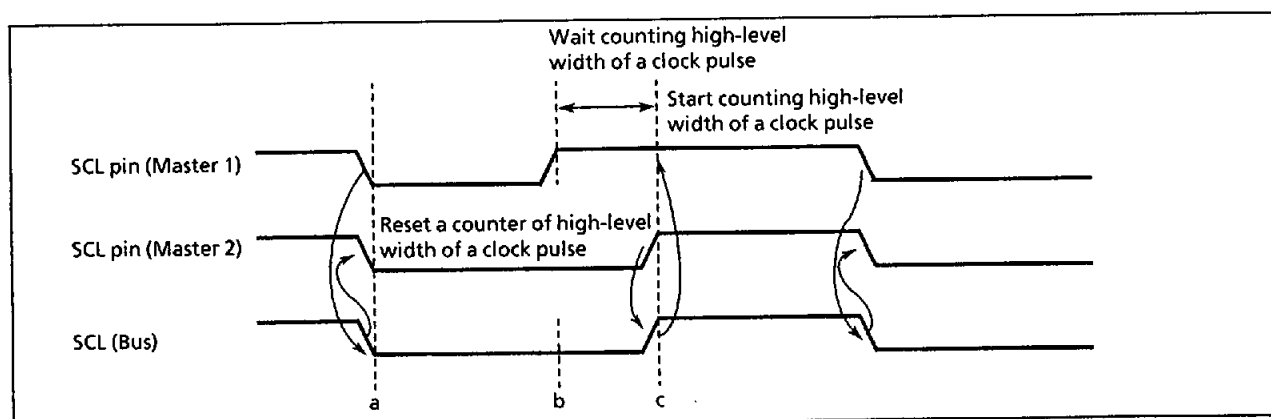


Figure 2-37. Clock Synchronization

As Master 1 pulls down the SCL pin to the low-level at point "a", the SCL line of the bus becomes the low-level. After detecting this situation, Master 2 resets a counter of high-level width of an own clock pulse and sets the SCL pin to the low-level.

Master 1 finishes counting low-level width of an own clock pulse at point "b" and sets the SCL pin to the high-level. Since Master 2 holds the SCL line of the bus at the low-level, Master 1 waits for counting high-level width of an own clock pulse. After Master 2 finishes counting low-level width of an own clock pulse at point "c" and Master 1 detects the SCL line of the bus at the high-level and starts counting high-level of an own clock pulse.

The clock pulse on the bus is determined by the master device with the shortest high-level width and the master device with the longest low-level width from among those master devices connected to the bus.

(4) **Slave address and address recognition mode specification**

When the 87CH37/K37/M37 is used as a slave device, set the slave address and ALS to the I2CAR. Clear the ALS to "0" for the address recognition mode.

(5) **Master/slave selection**

Set the MST (bit 7 in the SBICR2) to "1" for operating the 87CH37/K37/M37 as a master device. Clear the MST to "0" for operation as a slave device. The MST is cleared to "0" by the hardware after a stop condition on a bus is detected or arbitration is lost.

(6) **Transmitter/receiver selection**

Set the TRX (bit 6 in the SBICR2) to "1" for operating the 87CH37/K37/M37 as a transmitter. Clear the TRX to "0" for operation as a receiver. When data with an addressing format is transferred in the slave mode, when a slave address with the same value that an I2CAR or a GENERAL CALL is received (all 8-bit data are "0" after a start condition), the TRX is set to "1" by the hardware if the direction bit (R/W) sent from the master device is "1", and is cleared to "0" by the hardware if the bit is "0". In the master mode, after an acknowledge signal is returned from the slave device, the TRX is cleared to "0" by the hardware if a transmitted direction bit is "1", and is set to "1" by the hardware if it is "0". When an acknowledge signal is not returned, the current condition is maintained.

The TRX is cleared to "0" by the hardware after a stop condition on the I<sup>2</sup>C bus is detected or arbitration is lost.

(7) **Start/stop condition generation**

When the BB (bit 5 in the SBICR2) is "0", the slave address and the direction bit which are set to the SBIDBR are output on a bus after generating a start condition by writing "1" to the MST, TRX, BB, and PIN. It is necessary to set transmitted data to the data buffer register (SBIDBR) and set "1" to ACK beforehand.

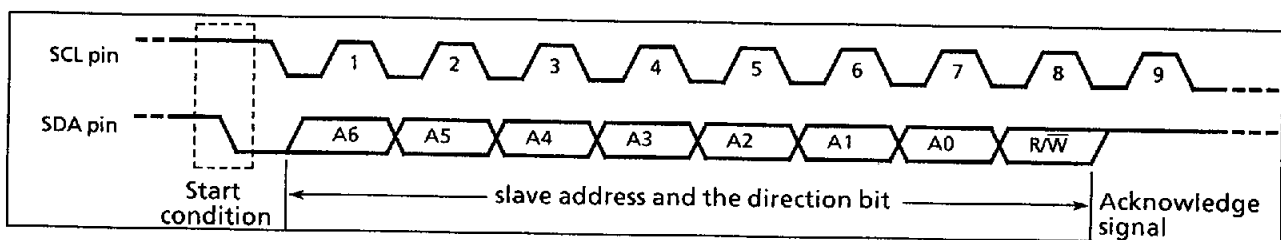


Figure 2-38. Start Condition Generation and Slave Address Generation

When the BB is "1", a sequence of generating a stop condition is started by writing "1" to the MST, TRX, and PIN, and "0" to the BB. Do not modify the contents of MST, TRX, BB and PIN until a stop condition is generated on a bus.

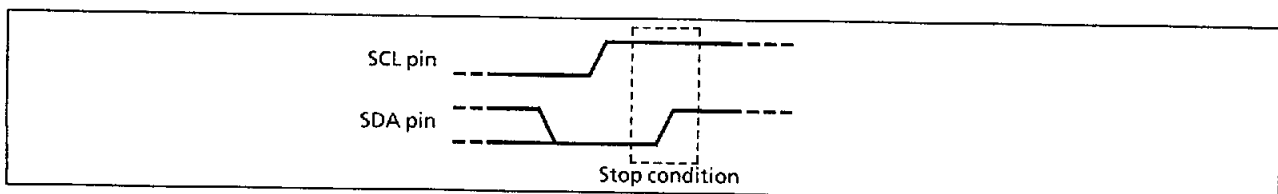


Figure 2-39. Stop Condition Generation

The bus condition can be indicated by reading the contents of the BB (bit 5 in the SBISR). The BB is set to "1" when a start condition on a bus is detected, and is cleared to "0" when a stop condition is detected on a bus.

**(8) Interrupt service request and cancel**

When a serial bus interface interrupt request (INTSBI) occurs, the PIN (bit 4 in the SBISR) is cleared to "0". During the time that the PIN is "0", the SCL pin is pulled down to the low level.

The PIN is cleared to "0" when 1-word of data is transmitted or received. Either writing/reading data to/from the SBIDBR sets the PIN to "1".

The time from the PIN being set to "1" until the SCL pin is released takes  $t_{LOW}$ .

In the address recognition mode ( $ALS = 0$ ), the PIN is cleared to "0" when the received slave address is the same as the value set to the I2CAR or when a GENERAL CALL is received (all 8-bit data are "0" after a start condition). Although the PIN (bit 4 in the SBICR2) can be set to "1" by the program, the PIN is not cleared to "0" when it is written "0".

**(9) Serial bus interface operation mode selection**

The SBIM (bit 3, 2 in the SBICR2) is used to specify the serial bus interface operation mode. Set the SBIM to "10" when used in the I<sup>2</sup>C bus mode after confirming that input signal via port is high-level. Switch a mode to port after confirming that the bus is free.

**(10) Arbitration lost detection monitor**

Since more than one master device can exist simultaneously on a bus in the I<sup>2</sup>C bus mode, a bus arbitration procedure is implemented in order to guarantee the contents of transferred data.

A data on the SDA line is used for bus arbitration of the I<sup>2</sup>C bus.

The following shows an example of a bus arbitration procedure when two master devices exist simultaneously on a bus. Master 1 and Master 2 output the same data until point "a". After Master 1 outputs "1" and Master 2, "0", the SDA line of the bus is wire-AND and the SDA line is pulled down to the low level by Master 2. When the SCL line of the bus is pulled up at point "b", the slave device reads a data on the SDA line, that is, data in Master 2. A data transmitted from Master 1 becomes invalid. The state in Master 1 is called ARBITRATION LOST. A master device which loses arbitration releases the SDA pin in order not to effect data transmitted from other masters with arbitration. When more than one master sends the same data at the first word, arbitration occurs continuously after the second word.

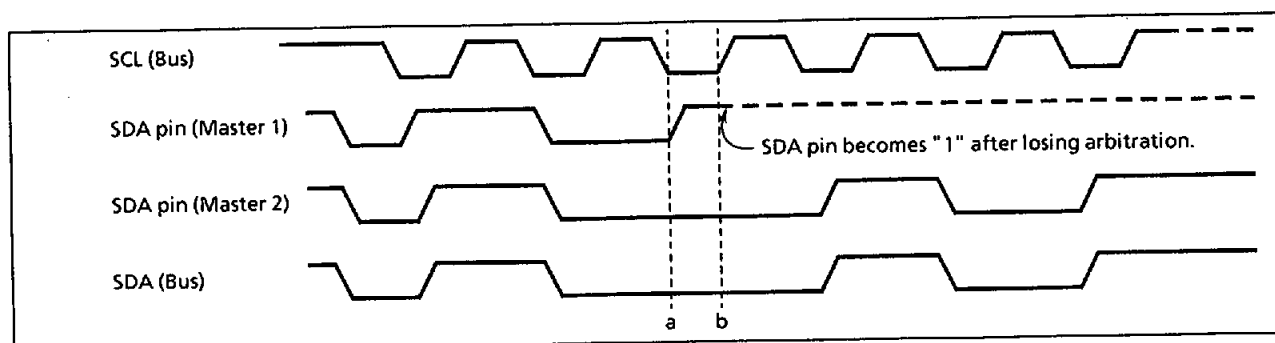


Figure 2-40. Arbitration Lost

The 87CH37/K37/M37 compares levels of the SDA line on a bus with those of the 87CH37/K37/M37 SDA pin at the rising edge of the SCL line. If the levels are unmatched, arbitration is lost and the AL (bit 3 in the SBISR) is set to "1".

When the AL is set to "1", the MST and TRX are cleared to "0" and the mode is switched to a slave receiver mode. The 87CH37/K37/M37 generates the clock pulse until data is transmitted when the AL is "1".

The AL is cleared to "0" by writing/reading data to/from the SBIDBR or writing data to the SBICR2.

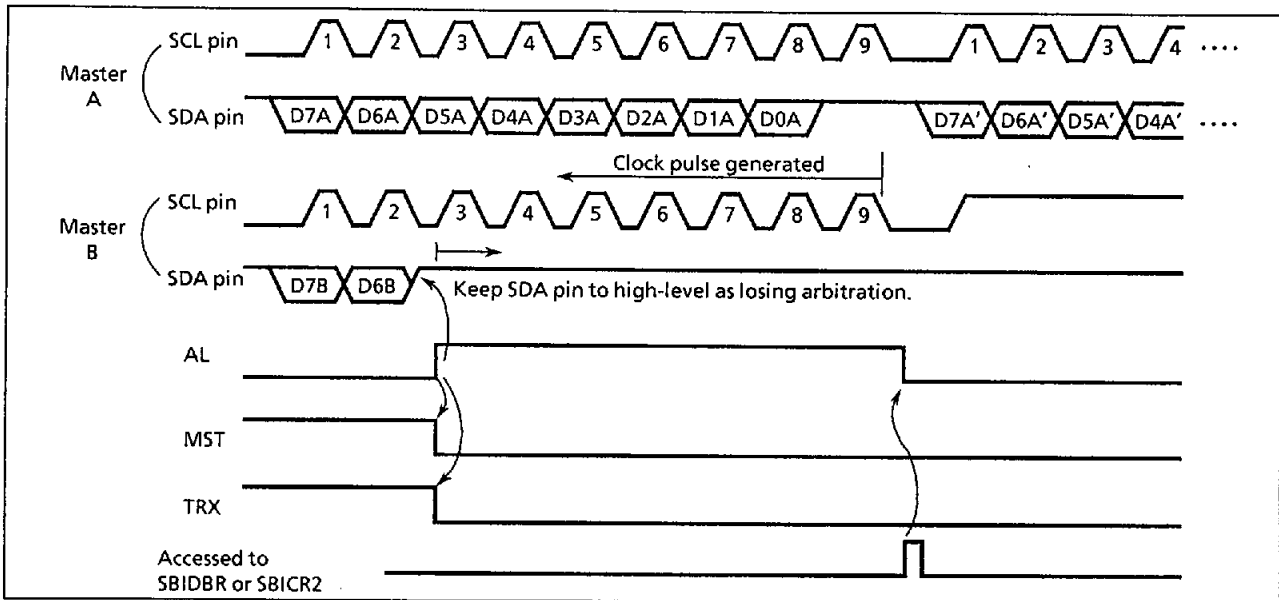


Figure 2-41. Example when 87CH37/K37/M37 is a Master Device B

(11) **Slave address match detection monitor**

The AAS (bit 2 in the SBISR) is set to "1" in the slave mode, in the address recognition mode (ALS = 0), when receiving GENERAL CALL or a slave address with the same value that is set to the I2CAR. When the ALS is "1", the AAS is set to "1" after receiving the first 1-word of data. The AAS is cleared to "0" by writing / reading data to / from a data buffer register.

(12) **GENERAL CALL detection monitor**

The AD0 (bit 1 in the SBISR) is set to "1" in the slave mode, when all 8-bit received data is "0", after a start condition (GENERAL CALL). The AD0 is cleared to "0" when a start or stop condition is detected on a bus.

(13) **Last received bit monitor**

The SDA value stored at the rising edge of the SCL is set to the LRB (bit 0 in the SBISR). In the acknowledge mode, immediately after an INTSBI interrupt request is generated, an acknowledge signal is read by reading the contents of the LSB.

## 2.9.5 Data Transfer in I<sup>2</sup>C bus Mode

(1) **Device Initialization**

Set the ACK, and SCK in the SBICR1. Clear "0" to bit 7 to 5 and 3.

Set a slave address and the ALS (ALS = 0 when an addressing format) to the I2CAR.

After confirming that input signals via port are high-level, for specifying the default setting to a slave receiver mode, clear "0" to the MST, TRX, BB and set "1" to the PIN, "10" to the SBIM, and "0" to bit 0 and 1 in the SBICR2.

**(2) Start Condition and Slave Address Generation**

Confirm a bus free status (when  $BB = 0$ ).

Set the ACK to "1" and specify a slave address and a direction bit to be transmitted to the SBIDBR.

When the BB is "0", the start condition are generated and the slave address and the direction bit which are set to the SBIDBR are output on a bus by writing "1" to the MST, TRX, BB and PIN. A slave device receives these data and pulls down the SDA line on a bus to the low-level at the acknowledge signal timing. An INTSBI interrupt request occurs at the 9th falling edge of the SCL clock cycle, and the PIN is cleared to "0". The SCL pin is pulled down to the low-level while the PIN is "0". When an interrupt request occurs, the TRX changes by the hardware according to the direction bit only when an acknowledge signal is returned from the slave device.

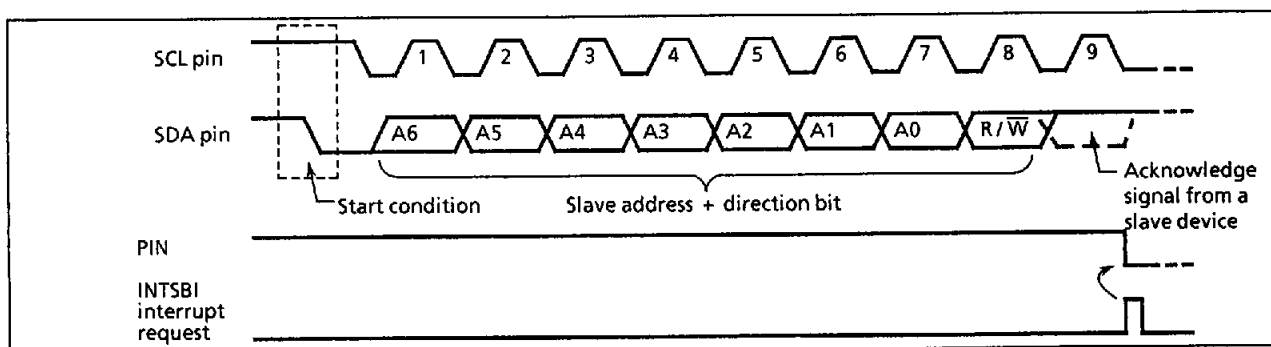


Figure 2-42. Start Condition Generation and Slave Address Transfer

**(3) 1-word Data Transfer**

Check the MST by the INTSBI interrupt process after a 1-word data transfer is completed, and determine whether the mode is a master or slave.

**a. When the MST is "1" (Master mode)**

Check the TRX and determine whether the mode is a transmitter or receiver.

**① When the TRX is "1" (Transmitter mode)**

Check the LRB. When the LRB is "1", a receiver does not request data. Implement the process to generate a stop condition (Refer to 2.9.5. (4)) and terminate data transfer.

When the LRB is "0", the receiver requests new data. When the next transmitted data is other than 8 bits, set the BC and write the transmitted data to the SBIDBR. After writing the data, the PIN becomes "1", a serial clock pulse is generated for transferring a new 1-word of data from the SCL pin, and then the 1-word data is transmitted. After the data is transmitted, an INTSBI interrupt request occurs. The PIN becomes "0" and the SCL pin is pulled down to the low-level. If the data to be transferred is more than one word in length, repeat the procedure from the LRB checking above.

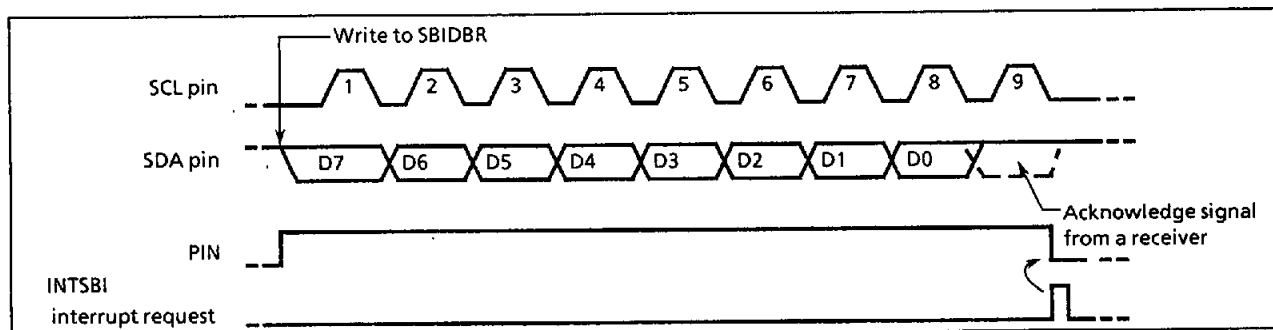


Figure 2-43. Example when  $BC = "000"$ ,  $ACK = "1"$  in Transmitter Mode



② When the TRX is "0" (Receiver mode)

When the next transmitted data is other than 8 bits, set the BC again. Set the ACK to "1" and read the received data from the SBIDBR (data which is read immediately after a slave address is sent is undefined). After the data is read, the PIN becomes "1". The 87CH37/K37/M37 outputs a serial clock pulse to the SCL to transfer new 1-word of data and sets the SDA pin to "0" at the acknowledge signal timing.

An INTSBI interrupt request occurs and the PIN becomes "0". Then the 87CH37/K37/M37 pulls down the SCL pin to the low-level. The 87CH37/K37/M37 outputs a clock pulse for 1-word of data transfer and the acknowledge signal each time that received data is read from the SBIDBR.

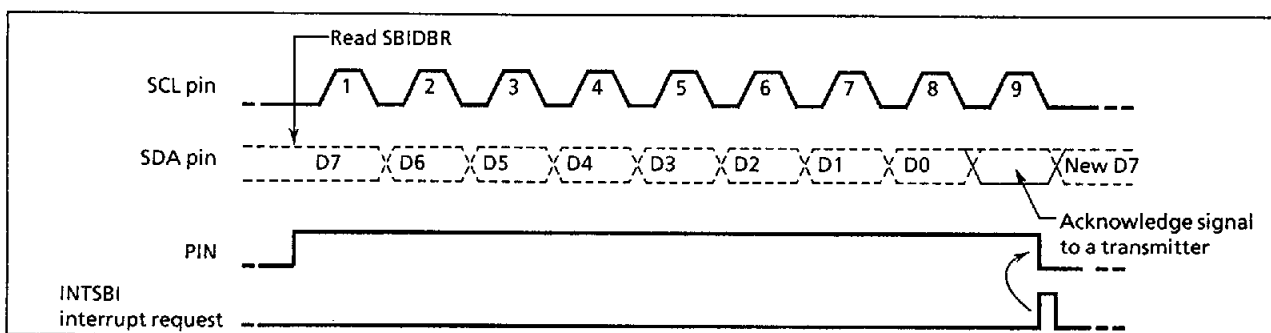


Figure 2-44. Example when BC = "000", ACK = "1" in Receiver Mode

In order to terminate transmitting data to a transmitter, clear the ACK to "0" before reading data which is 1-word before the last data to be received. The last data does not generate a clock pulse for the acknowledge signal. After the data is transmitted and an interrupt request has occurred, set the BC to "001" and read the data. The 87CH37/K37/M37 generates a clock pulse for a 1-bit data transfer. Since the master device is a receiver, the SDA line on a bus keeps the high-level. The transmitter receives the high-level signal as an ACK signal. The receiver indicates to the transmitter that data transfer is complete.

After 1-bit data is received and an interrupt request has occurred, the 87CH37/K37/M37 generates a stop condition (Refer to 2.9.5. (4) ) and terminates data transfer.

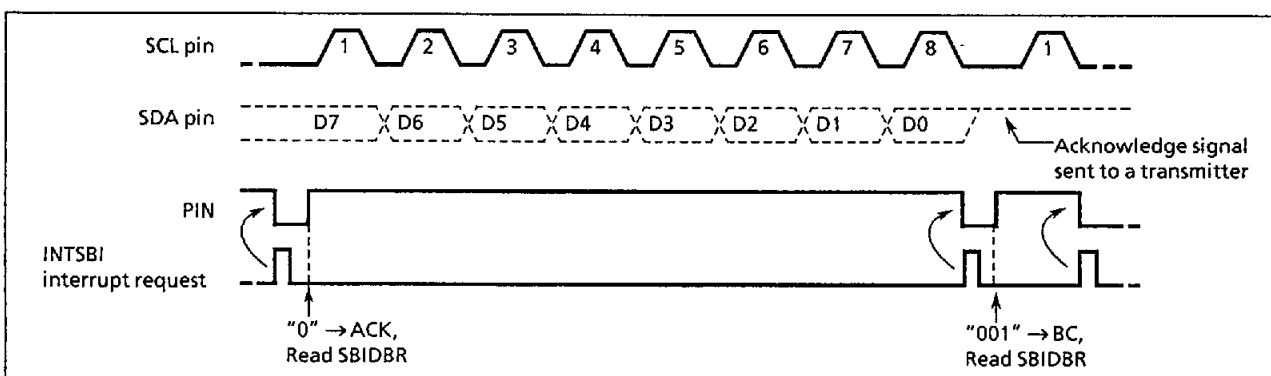


Figure 2-45. Termination of Data Transfer in Master Receiver Mode

**b. When the MST is "0" (Slave mode)**

In the slave mode, an INTSBI interrupt request occurs when the 87CH37/K37/M37 receives a slave address or a GENERAL CALL from the master device, or when a GENERAL CALL is received and data transfer is complete after matching a received slave address. In the master mode, the 87CH37/K37/M37 operates in a slave mode if it is losing arbitration. An INTSBI interrupt request occurs when word data transfer terminates after losing arbitration. When an INTSBI interrupt request occurs, the PIN (bit 4 in the SBICR2) is cleared, and the SCL pin is pulled down to the low-level. Either reading/writing from/to the SBIDBR or setting the PIN to "1" releases the SCL pin after taking  $t_{LOW}$  time.

In the slave mode, the 87CH37/K37/M37 operates either in normal slave mode or in slave mode after losing arbitration.

Check the AL (bit 3 in the SBISR), the TRX (bit 6 in the SBISR), the AAS (bit 2 in the SBISR), and the ADO (bit 1 in the SBISR) and implements processes according to conditions listed in the next table.

Table 2-7. Operation in the Slave Mode

TRX	AL	AAS	ADO	Conditions	Process
1	1	1	0	The 87CH37/K37/M37 loses arbitration when transmitting a slave address and receives a slave address of which the value of the direction bit sent from another master is "1".	Set the number of bits in 1-word to the BC and write transmitted data to the SBIDBR.
		0	0	In the slave receiver mode, the 87CH37/K37/M37 receives a slave address of which the value of the direction bit sent from the master is "1".	
		0	0	In the slave transmitter mode, 1-word data is transmitted.	Check the LRB. If the LRB is set to "1", set the PIN to "1" since the receiver does not request next data. Then, clear the TRX to "0" release the bus. If the LRB is cleared to "0", set the number of bits in a word to the BC and write transmitted data to the SBIDBR since the receiver requests next data.
0	1	1	1/0	The 87CH37/K37/M37 loses arbitration when transmitting a slave address and receives a slave address or GENERAL CALL of which the value of the direction bit sent from another master is "0".	Read the SBIDBR for setting the PIN to "1" (reading dummy data) or set the PIN to "1".
		0	0	The 87CH37/K37/M37 loses arbitration when transmitting a slave address or data and terminates transferring word data.	
	0	1	1/0	In the slave receiver mode, the 87CH37/K37/M37 receives a slave address or GENERAL CALL of which the value of the direction bit sent from the master is "0".	Set the number of bits in a word to the BC and read received data from the SBIDBR.
		0	1/0	In the slave receiver mode, the 87CH37/K37/M37 terminates receiving of 1-word data.	

**(4) Stop Condition Generation**

When the BB is "1", a sequence of generating a stop condition is started by setting "1" to the MST, TRX and PIN, and "0" to the BB. Do not modify the contents of the MST, TRX, BB, PIN until a stop condition is generated on a bus. When a SCL line of bus is pulled down by other devices, the 87CH37/K37/M37 generates a stop condition after they release a SCL line.

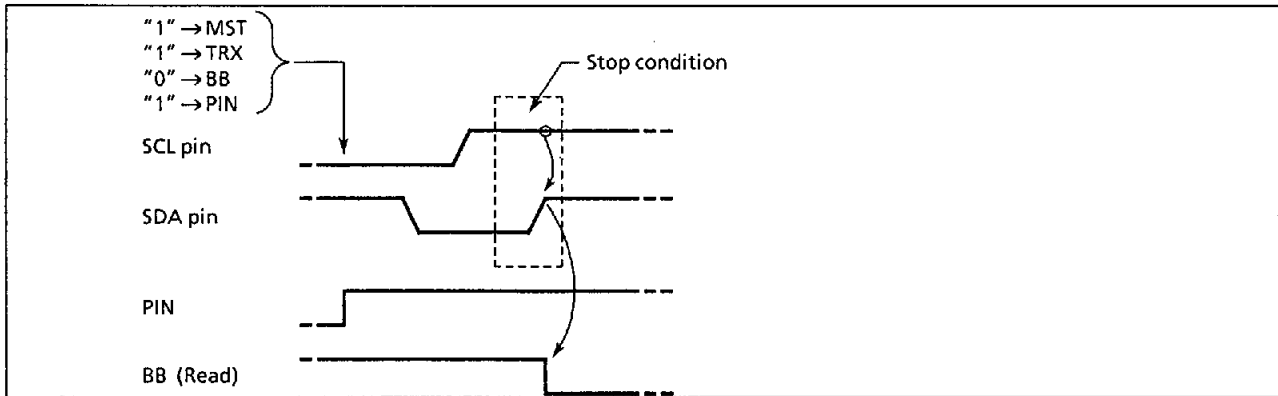


Figure 2-46. Stop Condition Generation

**(5) Restart**

Restart is used to change the direction of data transfer between a master device and a slave device during transferring data. The following explains how to restart when the 87CH37/K37/M37 is in the master mode.

Clear "0" to the MST, TRX and BB, and set "1" to the PIN and release the bus. The SDA pin retains the high-level and the SCL pin is released. Since a stop condition is not generated on a bus, a bus is assumed to be in a busy state from other devices. Check the BB until it becomes "0" to check that the SCL pin of the 87CH37/K37/M37 is released. Check the LRB until it becomes "1" to check that the SCL line on a bus is not pulled down to the low-level by other devices. After confirming that a bus stays in a free state, generate a start condition with procedure 2.9.5. (2).

In order to meet setup time when restarting, take at least 4.7 [ $\mu$ s] of waiting time by software from the time of restarting to confirm that the bus is free until the time to generate the start condition.

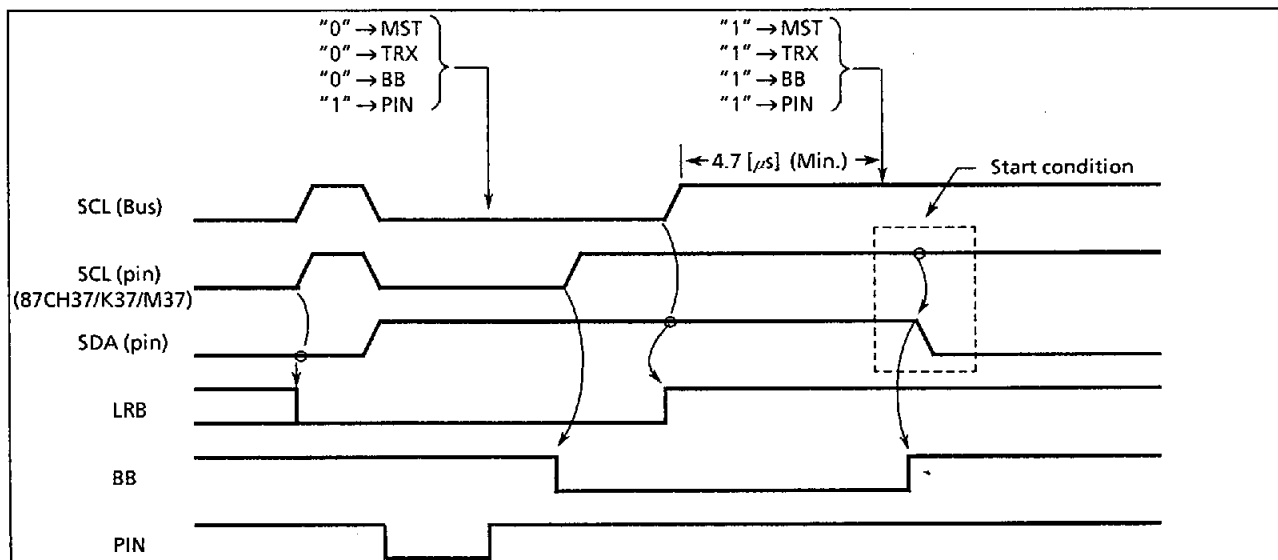


Figure 2-47. Timing Diagram when Restarting the 87CH37/K37/M37

### 2.9.6 Clocked-synchronous 8-bit SIO Mode Control

The following registers are used for control and operation status monitoring when using the serial bus interface (SBI) in the clocked-synchronous 8-bit SIO mode.

Serial Bus Interface Control Register 1																	
SBICR1 (0020 <sub>H</sub> )	<table border="1"> <tr> <td>7</td><td>6</td><td>5</td><td>4</td><td>3</td><td>2</td><td>1</td><td>0</td> </tr> <tr> <td>SIOS</td><td>SIO INH</td><td>SIOM</td><td>"0"</td><td colspan="4">SCK</td> </tr> </table> (Initial value 0000 *00)	7	6	5	4	3	2	1	0	SIOS	SIO INH	SIOM	"0"	SCK			
7	6	5	4	3	2	1	0										
SIOS	SIO INH	SIOM	"0"	SCK													
SIOS	<table border="1"> <tr> <td>Indicate transfer start/stop</td> <td>0: Stop 1: Start</td> <td rowspan="4">Write only</td> </tr> <tr> <td>SIOINH</td> <td>Continue/abort transfer</td> <td>0: Continue transfer 1: Abort transfer (automatically cleared after abort)</td> </tr> <tr> <td>SIOM</td> <td>Transfer mode select</td> <td>00: 8-bit transmit mode 01: reserved 10: 8-bit transmit/receive mode 11: 8-bit receive mode</td> </tr> <tr> <td>SCK</td> <td>Serial clock select</td> <td>           000 : <math>f_c/2^5</math> ( 250 kHz)            001 : <math>f_c/2^6</math> ( 125 kHz)            010 : <math>f_c/2^7</math> (62.5 kHz)            011 : <math>f_c/2^8</math> (31.25 kHz)            100 : <math>f_c/2^9</math> (15.62 kHz)            101 : <math>f_c/2^{10}</math> (7.81 kHz)            110 : <math>f_c/2^{11}</math> (3.90 kHz)            111 : External clock (input from <math>\overline{\text{SCK}}</math> pin)         </td> </tr> </table>	Indicate transfer start/stop	0: Stop 1: Start	Write only	SIOINH	Continue/abort transfer	0: Continue transfer 1: Abort transfer (automatically cleared after abort)	SIOM	Transfer mode select	00: 8-bit transmit mode 01: reserved 10: 8-bit transmit/receive mode 11: 8-bit receive mode	SCK	Serial clock select	000 : $f_c/2^5$ ( 250 kHz) 001 : $f_c/2^6$ ( 125 kHz) 010 : $f_c/2^7$ (62.5 kHz) 011 : $f_c/2^8$ (31.25 kHz) 100 : $f_c/2^9$ (15.62 kHz) 101 : $f_c/2^{10}$ (7.81 kHz) 110 : $f_c/2^{11}$ (3.90 kHz) 111 : External clock (input from $\overline{\text{SCK}}$ pin)				
Indicate transfer start/stop	0: Stop 1: Start	Write only															
SIOINH	Continue/abort transfer		0: Continue transfer 1: Abort transfer (automatically cleared after abort)														
SIOM	Transfer mode select		00: 8-bit transmit mode 01: reserved 10: 8-bit transmit/receive mode 11: 8-bit receive mode														
SCK	Serial clock select		000 : $f_c/2^5$ ( 250 kHz) 001 : $f_c/2^6$ ( 125 kHz) 010 : $f_c/2^7$ (62.5 kHz) 011 : $f_c/2^8$ (31.25 kHz) 100 : $f_c/2^9$ (15.62 kHz) 101 : $f_c/2^{10}$ (7.81 kHz) 110 : $f_c/2^{11}$ (3.90 kHz) 111 : External clock (input from $\overline{\text{SCK}}$ pin)														
<p>Note 1 : <math>f_c</math> ; high-frequency clock [Hz], * ; don't care</p> <p>Note 2 : Clear the SIOS to "0" and set the SIOINH to "1" when setting the transfer mode and serial clock.</p> <p>Note 3 : SBICR1 is a write-only register, which cannot access any of in read-modify-write instructions such as bit operate, etc.</p> <p>Note 4 : Clear "0" to bit 3.</p>																	
Serial Bus Interface Data Buffer Register																	
SBIDBR (0021 <sub>H</sub> )	<table border="1"> <tr> <td>7</td><td>6</td><td>5</td><td>4</td><td>3</td><td>2</td><td>1</td><td>0</td> </tr> <tr> <td colspan="8"></td> </tr> </table> (Initial value **** ***) Read / Write	7	6	5	4	3	2	1	0								
7	6	5	4	3	2	1	0										
<p>Note 1 : Cannot read the data which was written into SBIDBR, since a write data buffer and a read data buffer are independent in SBIDBR. Therefore, cannot access it any of in read-modify-write instructions such as bit operate, etc.</p> <p>Note 2 : * ; don't care</p>																	
Serial Bus Interface Control Register 2																	
SBICR2 (0023 <sub>H</sub> )	<table border="1"> <tr> <td>7</td><td>6</td><td>5</td><td>4</td><td>3</td><td>2</td><td>1</td><td>0</td> </tr> <tr> <td>"0"</td><td>"0"</td><td>"0"</td><td>"1"</td><td>SBIM</td><td>"0"</td><td>"0"</td><td></td> </tr> </table> (Initial value **** 00**)	7	6	5	4	3	2	1	0	"0"	"0"	"0"	"1"	SBIM	"0"	"0"	
7	6	5	4	3	2	1	0										
"0"	"0"	"0"	"1"	SBIM	"0"	"0"											
SBIM	<table border="1"> <tr> <td>Serial bus interface operation mode selection</td> <td>00: Port mode (serial bus interface output disable) 01: SIO mode 10: I<sup>2</sup>C bus mode 11: reserved</td> <td>Write only</td> </tr> </table>	Serial bus interface operation mode selection	00: Port mode (serial bus interface output disable) 01: SIO mode 10: I <sup>2</sup> C bus mode 11: reserved	Write only													
Serial bus interface operation mode selection	00: Port mode (serial bus interface output disable) 01: SIO mode 10: I <sup>2</sup> C bus mode 11: reserved	Write only															
<p>Note 1 : * ; don't care</p> <p>Note 2 : Switch a mode to port after data transfer is complete.</p> <p>Note 3 : Switch a mode to SIO mode after confirming that input signals via port are high-level.</p> <p>Note 4 : SBICR2 is a write-only register, which cannot access any of in read-modify-write instructions such as bit operate, etc.</p> <p>Note 5 : Clear "0" to bit 7 to 5, 1 and 0, and set "1" to bit 4.</p>																	

Figure 2-48. Serial Bus Interface Control Register 1 / Serial Bus Interface Data Buffer Register / Serial Bus Interface Control Register 2 in SIO Mode

Serial Bus Interface Status Register									
SBISR (0023H)	7	6	5	4	3	2	1	0	
	"1"	"1"	"1"	"1"	SIOF	SEF	"1"	"1"	
SIOF	Serial transfer operating status monitor				0: Transfer terminated 1: Transfer in process				Read only
SEF	Shift operating status monitor				0: Shift operation terminated 1: Shift operation in process				

Figure 2-49. Serial Bus Interface Status Register in SIO Mode

## (1) Serial Clock

## a. Clock source

The SCK (bit 2 to 0 in the SBICR1) is used to select the following functions.

## ① Internal Clock

In an internal clock mode, any of seven frequencies can be selected. The serial clock is output to the outside on the  $\overline{SCK}$  pin. The  $\overline{SCK}$  pin becomes a high-level when data transfer starts. When writing (in the transmit mode) or reading (in the receive mode) data cannot follow the serial clock rate, an automatic-wait function is executed to stop the serial clock automatically and hold the next shift operation until reading or writing is complete.

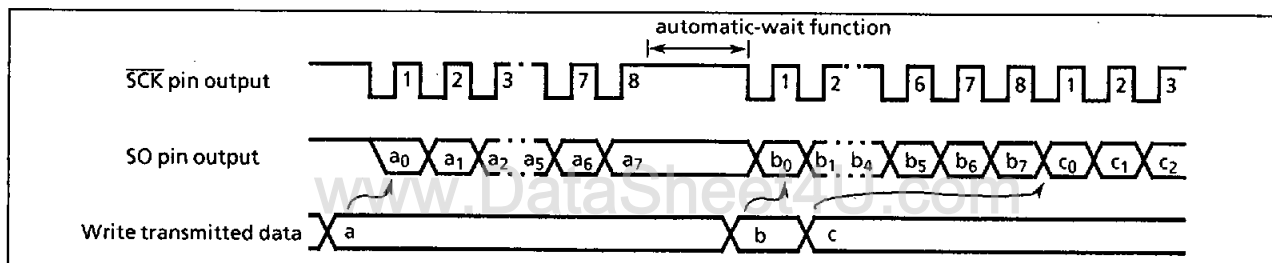


Figure 2-50. Automatic-wait Function

## ② External clock (SCK = "111")

An external clock supplied to the  $\overline{SCK}$  pin is used as the serial clock. In order to ensure shift operation, a pulse width of at least 4 machine cycles is required for both high-level and low-level in the serial clock. The maximum data transfer frequency is 250 kHz (when  $f_c = 8$  MHz).

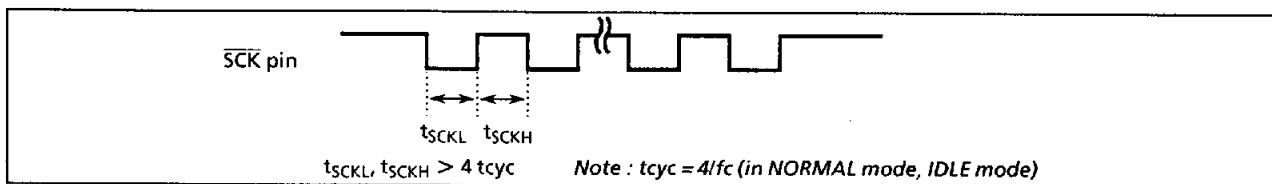


Figure 2-51. Maximum Data Transfer Frequency When External Clock Input

**b. Shift edge**

The leading edge is used to transmit data, and the trailing edge is used to receive data.

## ① Leading edge shift

Data is shifted on the leading edge of the serial clock (at a falling edge of the  $\overline{SCK}$  pin input / output).

## ② Trailing edge shift

Data is shifted on the trailing edge of the serial clock (at a rising edge of the  $\overline{SCK}$  pin input/output).

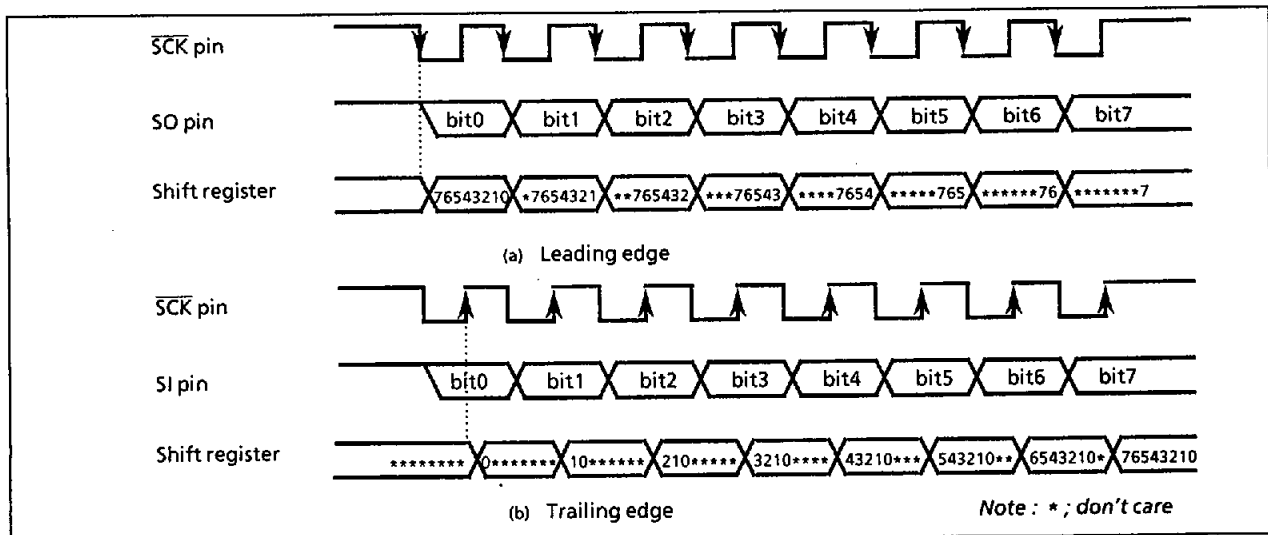


Figure 2-52. Shift Edge

## (2) Transfer mode

The SIOM (bit 5 and 4 in the SBICR1) is used to select a transmit, receive, or transmit/receive mode.

**a. 8-bit transmit mode**

Set a control register to a transmit mode and write transmit data to the SBIDBR.

After the transmit data is written, set the SIOS to "1" to start data transfer. The transmitted data is transferred from the SBIDBR to the shift register and output to the SO pin in synchronous with the serial clock, starting from the least significant bit (LSB). When the transmit data is transferred to the shift register, the SBIDBR becomes empty. The INTSBI (buffer empty) interrupt request is generated to request new data.

When the internal clock is used, the serial clock will stop and automatic-wait function will be initiated if new data is not loaded to the data buffer register after the specified 8-bit data is transmitted. When new transmit data is written, automatic-wait function is canceled.

When the external clock is used, data should be written to the SBIDBR before new data is shifted. The transfer speed is determined by the maximum delay time between the time when an interrupt request is generated and the time when data is written to the SBIDBR by the interrupt service program.

When the transmit is started, after the SIOF goes "1" output from the SO pin holds final bit of the last data until falling edge of the  $\overline{SCK}$ .

Transmitting data is ended by clearing the SIOS to "0" by the buffer empty interrupt service program or setting the SIOINH to "1". When the SIOS is cleared, the transmitted mode ends when all data is output. In order to confirm if data is surely transmitted by the program, set the SIOF (bit 3 in the SBISR) to be sensed. The SIOF is cleared to "0" when transmitting is complete. When the SIOINH is set, transmitting data stops. The SIOF turns "0".

When the external clock is used, it is also necessary to clear the SIOS to "0" before new data is shifted; otherwise, dummy data is transmitted and operation ends.

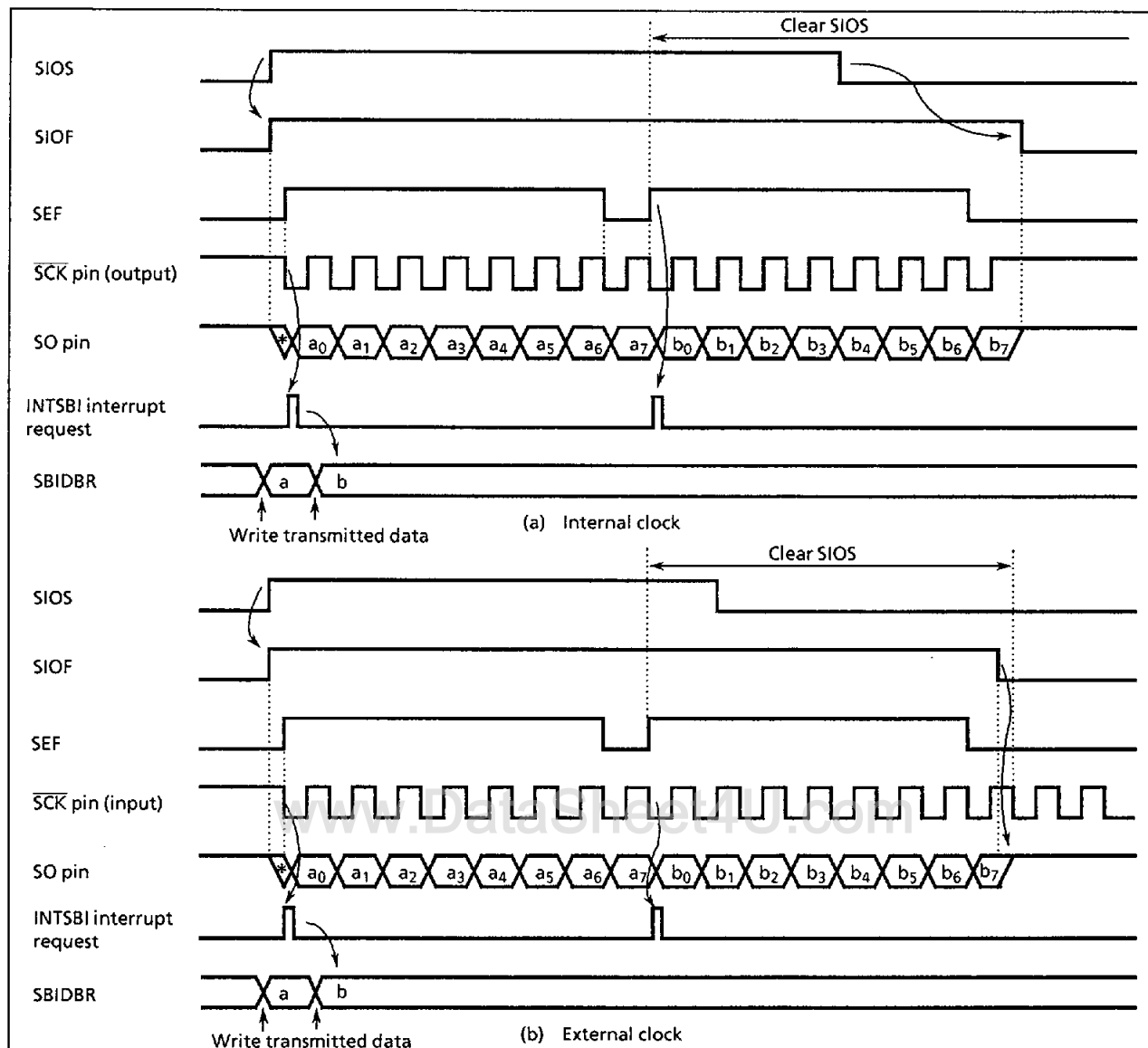


Figure 2-53. Transfer Mode

Example : Program to stop transmitting data (when external clock is used)

```

STEST1 : TEST (SBISR) . SEF          ; If SEF = 1 then loop
          JRS  F , STEST1
STEST2 : TEST (P3) . 6              ; If  $\overline{SCK}$  = 0 then loop
          JRS  T , STEST2
LD      (SBICR1) , 00000111B ; SIOS ← 0

```

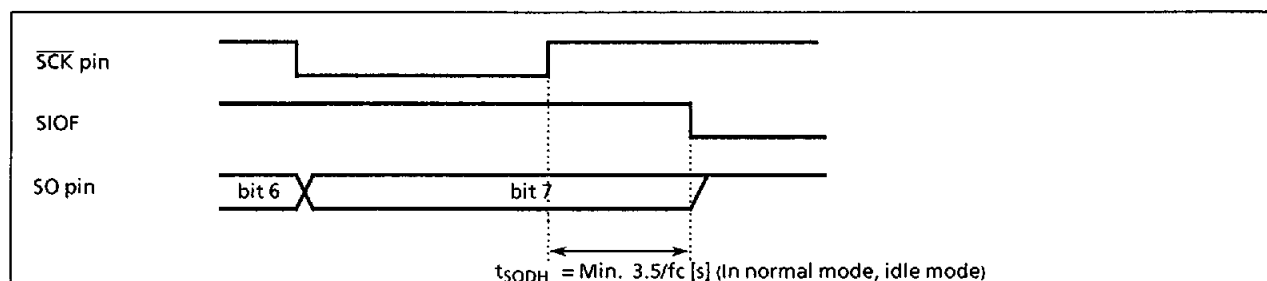


Figure 2-54. Transmitted Data Hold Time at End of Transmit

**b. 8-bit Receive Mode**

Set the control register to receive mode and the SIOS to "1" for switching to receive mode. Data is received from the SI pin to the shift register in synchronous with the serial clock, starting from the least significant bit (LSB). When the 8-bit data is received, the data is transferred from the shift register to the SBIDBR. The INTSBI (buffer full) interrupt request is generated to request of reading the received data. The data is then read from the SBIDBR by the interrupt service program.

When the internal clock is used, the serial clock will stop and automatic-wait function will be initiated until the received data is read from the SBIDBR.

When the external clock is used, since shift operation is synchronized with the clock pulse provided externally, the received data should be read from the SBIDBR before next serial clock is input. If the received data is not read, further data to be received is canceled. The maximum transfer speed when the external clock is used is determined by the delay time between the time when an interrupt request is generated and the time when received data is read.

Receiving data is ended by clearing the SIOS to "0" by the buffer full interrupt service program or setting the SIOINH to "1". When the SIOS is cleared, received data is transferred to the SBIDBR in complete blocks. The received mode ends when the transfer is complete. In order to confirm if data is surely received by the program, set the SIOF (bit 3 in the SBIDBR) to be sensed. The SIOF is cleared to "0" when receiving is complete. After confirming that receiving has ended, the last data is read. When the SIOINH is set, receiving data stops. The SIOF turns "0" (the received data becomes invalid, therefore no need to read it).

**Note :** When the transfer mode is switched, the SBIDBR contents are lost. In case that the mode needs to be switched, receiving data is concluded by clearing the SIOS to "0", read the last data, and then switch the mode.



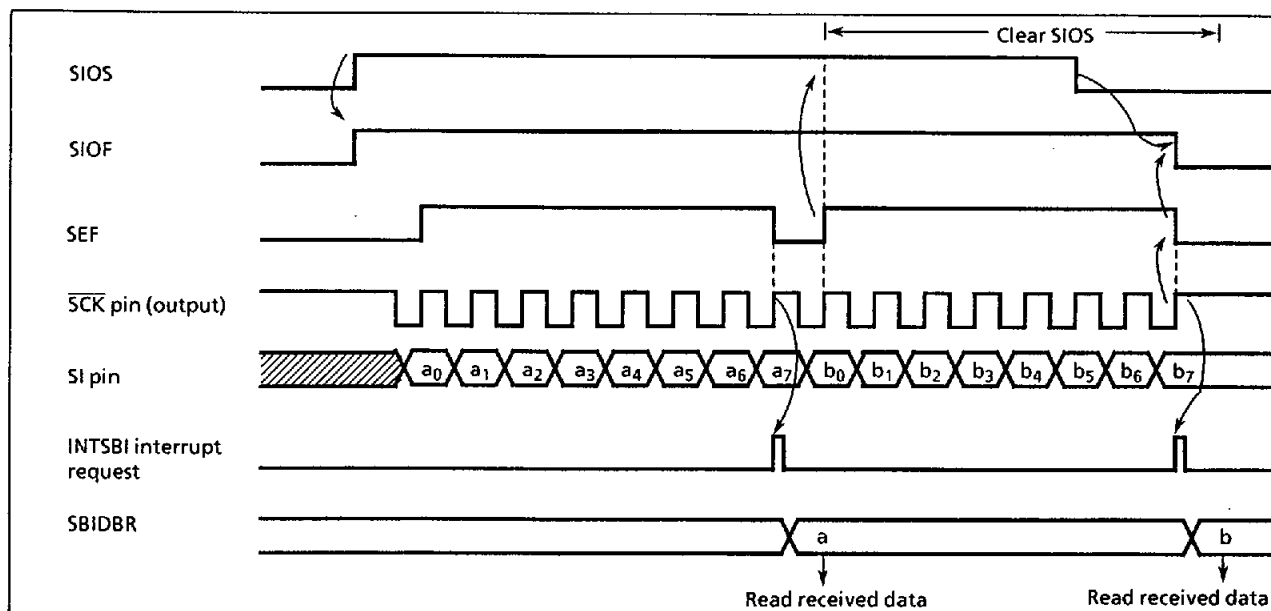


Figure 2-55. Receive Mode (Example : Internal clock)

### c. 8-bit Transmit / Receive Mode

Set a control register to a transmit / receive mode and write data to the SBIDBR. After the data is written, set the SIOS to "1" to start transmitting / receiving. When transmitting, the data is output from the SO pin on the leading edges in synchronous with the serial clock, starting from the least significant bit (LSB). When receiving, the data is input to the SI pin on the trailing edges of the serial clock. 8-bit data is transferred from the shift register to the SBIDBR, and the INTSBI interrupt request occurs. The interrupt service program reads the received data from the data buffer register and writes data to be transmitted. The SBIDBR is used for both transmitting and receiving. Transmitted data should always be written after received data is read.

When the internal clock is used, automatic-wait function is initiated until received data is read and next data is written.

When the external clock is used, since the shift operation is synchronized with the external clock, received data is read and transmitted data is written before new shift operation is executed. The maximum transfer speed when the external clock is used is determined by the delay time between the time when an interrupt request is generated and the time when received data is read and transmitted data is written.

When the transmit is started, after the SIOF goes "1" output from the SO pin holds final bit of the last data until falling edge of the SCK.

Transmitting / receiving data is ended by clearing the SIOS to "0" by the INTSBI interrupt service program or setting the SIOINH to "1". When the SIOS is cleared, received data is transferred to the SBIDBR in complete blocks. The transmit / receive mode ends when the transfer is complete. In order to confirm if data is surely transmitted / received by the program, set the SIOF (bit3 in the SBISR) to be sensed. The SIOF becomes "0" after transmitting / receiving is complete. When the SIOINH is set, transmitting / receiving data stops. The SIOF turns "0".

**Note :** When the transfer mode is switched, the SBIDBR contents are lost. In case that the mode needs to be switched, conclude transmitting / receiving data by clearing the SIOS to "0", read the last data, and then switch the transfer mode.

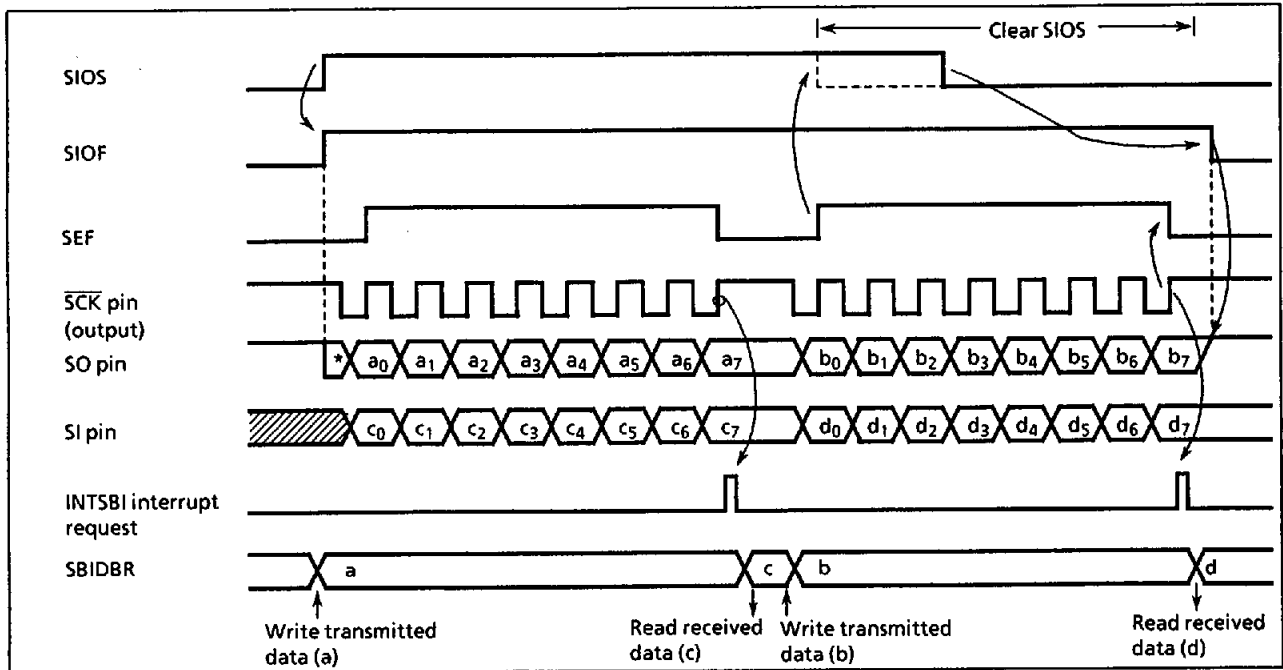


Figure 2-56. Transmit / Receive Mode (Example : Internal clock)

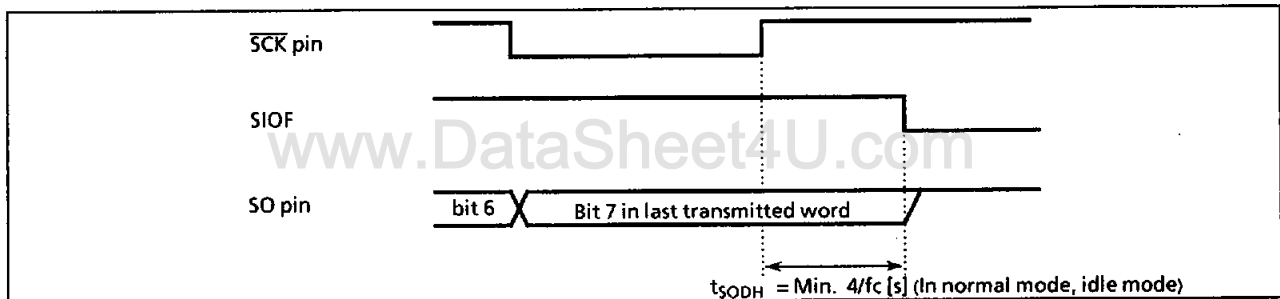


Figure 2-57. Transmitted Data Hold Time at End of Transmit / Receive

## 2.10 Remote Control Signal Preprocessor / External Interrupt 3 Input Pin

The remote control signal waveform can be determined by inputting the remote control signal waveform from which the carrier wave was eliminated by the receive circuit to P30 (INT3/RXIN) pin. When the remote control signal preprocessor / external interrupt 3 pin is also used as the P30 port, set the P30 port output latch to "1". When it is not used as the remote control signal preprocessor / external interrupt 3 input pin, it can be used for normal port.

### 2.10.1 Configuration

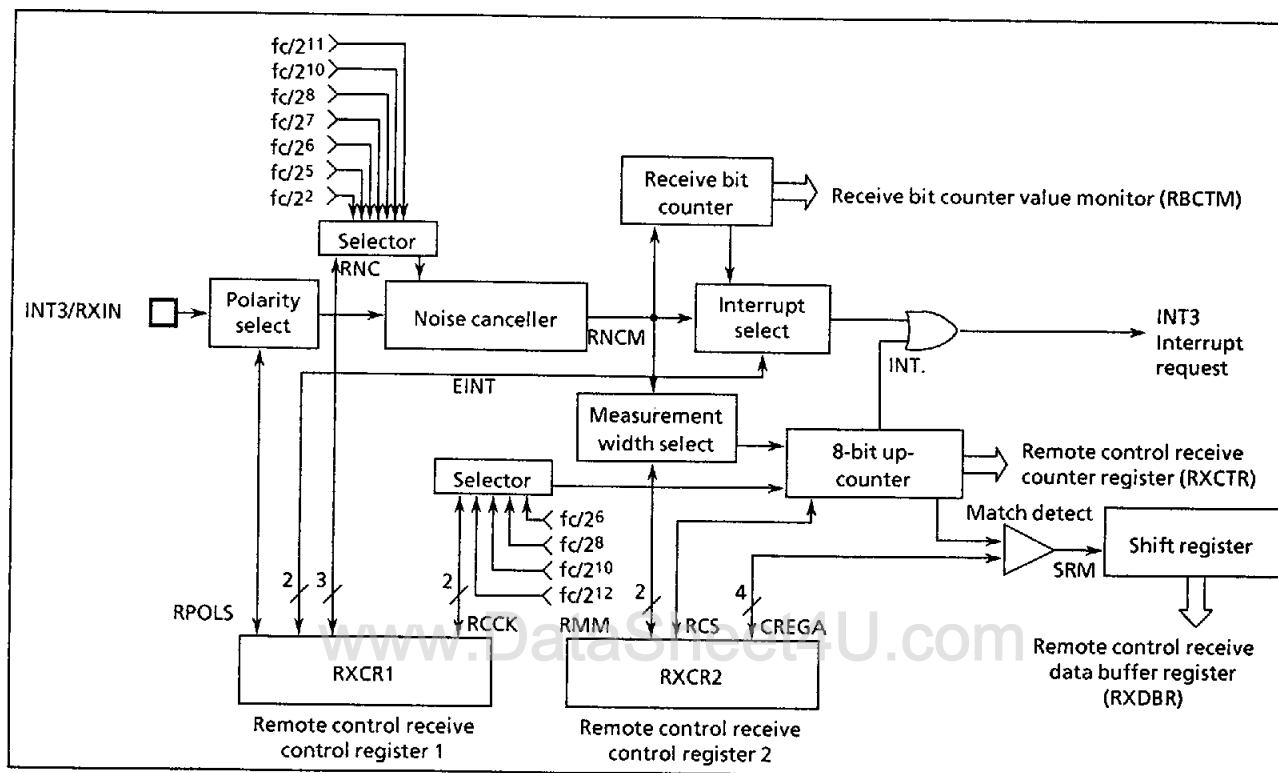


Figure 2-58. Remote Control Signal Preprocessor

### 2.10.2 Remote control signal preprocessor control

When the remote control signal preprocessor is used, operating states are controlled and monitored by the following registers. Interrupt requests also use the remote control signal preprocessor / external interrupt 3 input pin.

- Remote control receive control register 1 (RXCR1)
- Remote control receive control register 2 (RXCR2)
- Remote control receive counter register (RXCTR)
- Remote control receive data buffer register (RXDBR)
- Remote control receive status register (RXSR)

When this pin is used for the external interrupt 3 input, set EINT in RXCR1 to other than "11".

Remote control receive control register 1									
RXCR1 (0FD0 <sub>H</sub> )	7	6	5	4	3	2	1	0	
	RCK		RPOLS	EINT		RNC			(Initial value : 0000 0000)
RCK	8-bit up-counter source clock select		00: $fc/2^6$ [Hz] 01: $fc/2^8$ 10: $fc/2^{10}$ 11: $fc/2^{12}$		Read/ Write				
RPOLS	Remote control signal polarity select		0 : Positive 1 : Negative						
EINT	Interrupt source select		00: Rising edge 01: Falling edge (when RPOLS = 0) 10: Rising/Falling edge 11: 8-bit receive end						
RNC	Noise canceller noise eliminating time select		000 : Noise canceler disable 001 : $2^2/fc \times 7 - 1/fc$ [s] 010 : $2^5/fc \times 7 - 1/fc$ 011 : $2^6/fc \times 7 - 1/fc$ 100 : $2^7/fc \times 7 - 1/fc$ 101 : $2^8/fc \times 7 - 1/fc$ 110 : $2^{10}/fc \times 7 - 1/fc$ 111 : $2^{11}/fc \times 7 - 1/fc$						
<p>Note 1 : <math>fc</math> ; High-frequency clock [Hz]</p> <p>Note 2 : After reset, RPOLS does not change the set value in the receiving remote control signal. For setting interrupt edge and measurement data, use EINT and RMM.</p>									
Remote control receive control register 2									
RXCR2 (0FD1 <sub>H</sub> )	7	6	5	4	3	2	1	0	
	CREGA				RCS		RMM		(Initial value : 0000 0*00)
CREGA	Setting of detect time for match with 8-bit up-counter upper 4 bits		Match detect time ( $T_{th}$ ) = $16 \times CREGA / RCK$ [s] $CREGA = 0_H$ to $F_H$ Example : $CREGA = 2$ , $RCK = fc/2^6$ [Hz], at $fc = 8$ MHz $T_{th} = 256$ [ $\mu$ s]		Read/ Write				
RCS	8-bit up-counter start control		0 : Stop and counter clear 1 : Start						
RMM	Measurement mode select (invalid when EINT = "10")		00: 01: Refer to table 2-8. 10: 11:						
<p>Note 1 : <math>fc</math> ; High-frequency clock [Hz], * don't care</p> <p>Note 2 : When an interrupt source is set for rising / falling edge, low and high widths are forcibly measured separately.</p> <p>Note 3 : Set CREGA (<math>0_H</math> to <math>F_H</math>) before EINT sets to 8-bit receive end.</p>									

Figure 2-59. Remote Control Receive Control Register 1, 2

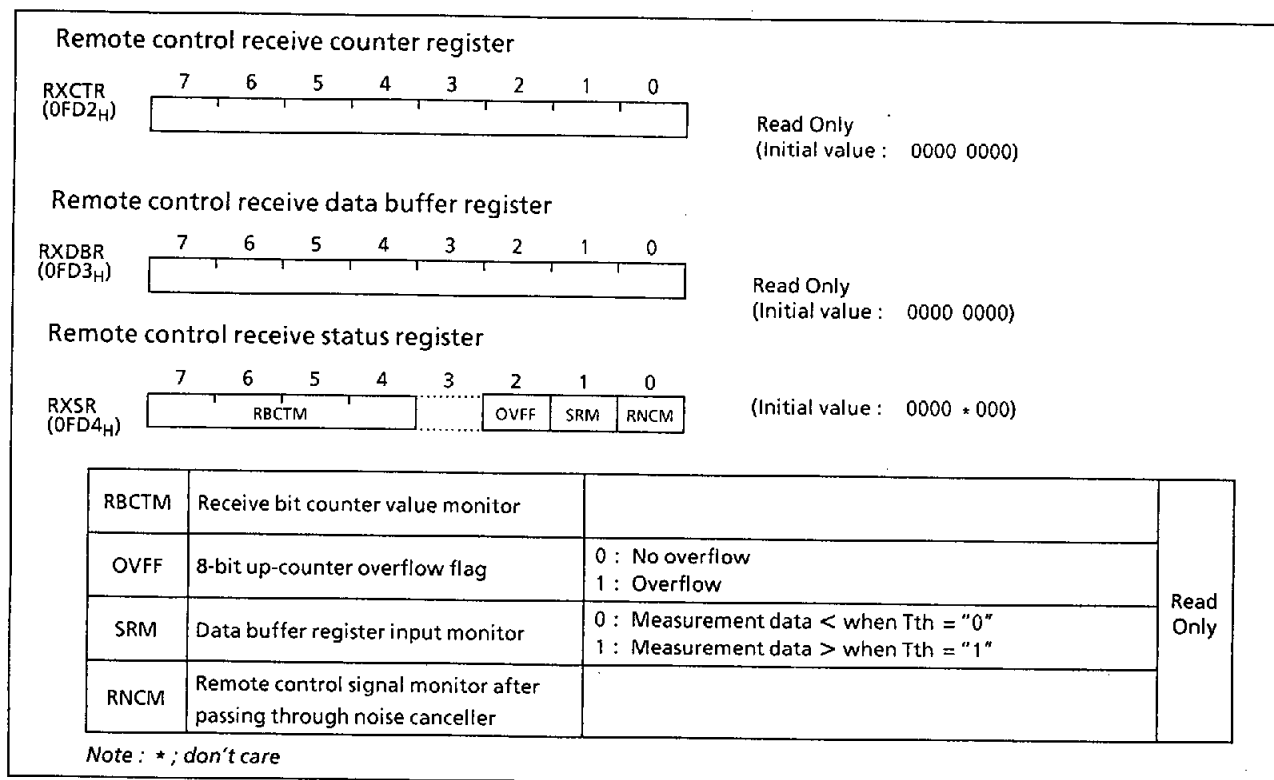


Figure 2-60. Remote Control Receive Counter Register, Data Buffer Register, Status Register

www.DataSheet4U.com

Table 2-8. Combination of Interrupt Source and Measurement Mode

RPOLS	EINT	RMM	Interrupt source	Measurement mode
0	00	00		
		10		
		11		
	01	01		
		10		
	11	11		
	10	—		
11	00	Receive end		
	10			
1	00	00		
		10		
		11		
	01	01		
		10		
11	11			
10	—			
11	00	Receive end		
	10			

### 2.10.3 Noise Elimination Time Setting

The remote control receive circuit has a noise canceller. By setting RNC in RXCR1, input signals shorter than the fixed time can be eliminated as noise.

Table 2-9. Noise Elimination Time Setting

RNC	Minimum signal pulse width	at fc = 8 MHz	Maximum noise width to be eliminated	at fc = 8 MHz
000	—	—	—	—
001	$(2^5 + 5) / f_c$ [s]	4.63 [ $\mu$ s]	$(2^2 \times 7 - 1) / f_c$ [s]	3.38 [ $\mu$ s]
010	$(2^8 + 5) / f_c$	32.63	$(2^5 \times 7 - 1) / f_c$	27.88
011	$(2^9 + 5) / f_c$	64.63	$(2^6 \times 7 - 1) / f_c$	55.88
100	$(2^{10} + 5) / f_c$	128.63	$(2^7 \times 7 - 1) / f_c$	111.88
101	$(2^{11} + 5) / f_c$	256.63	$(2^8 \times 7 - 1) / f_c$	223.88
110	$(2^{13} + 5) / f_c$	1.025 [ms]	$(2^{10} \times 7 - 1) / f_c$	895.88
111	$(2^{14} + 5) / f_c$	2.049	$(2^{11} \times 7 - 1) / f_c$	1.792 [ms]

### 2.10.4 Operation

- (1) interrupts at rising, falling, or rising / falling edge, and measurement modes

First set EINT and RMM. Next, set RCS to "1"; the 8-bit up-counter is counted up by the internal clock. After measurement, the 8-bit up-counter value is saved in RXCTR. Then, the 8-bit up-counter is cleared, an INT3 request is generated, and the 8-bit up-counter resumes counting.

If the 8-bit up-counter overflows (FF<sub>H</sub>) before measurement is completed, an INT3 request is generated and the overflow flag (OVFF) is set to "1". Then, the 8-bit up-counter is cleared. An overflow can be detected by reading OVFF by the interrupt processing. To restart the 8-bit up-counter, set RCS to "1".

Setting RCS to "1" zero-clears OVFF.

www.DataSheet4U.com

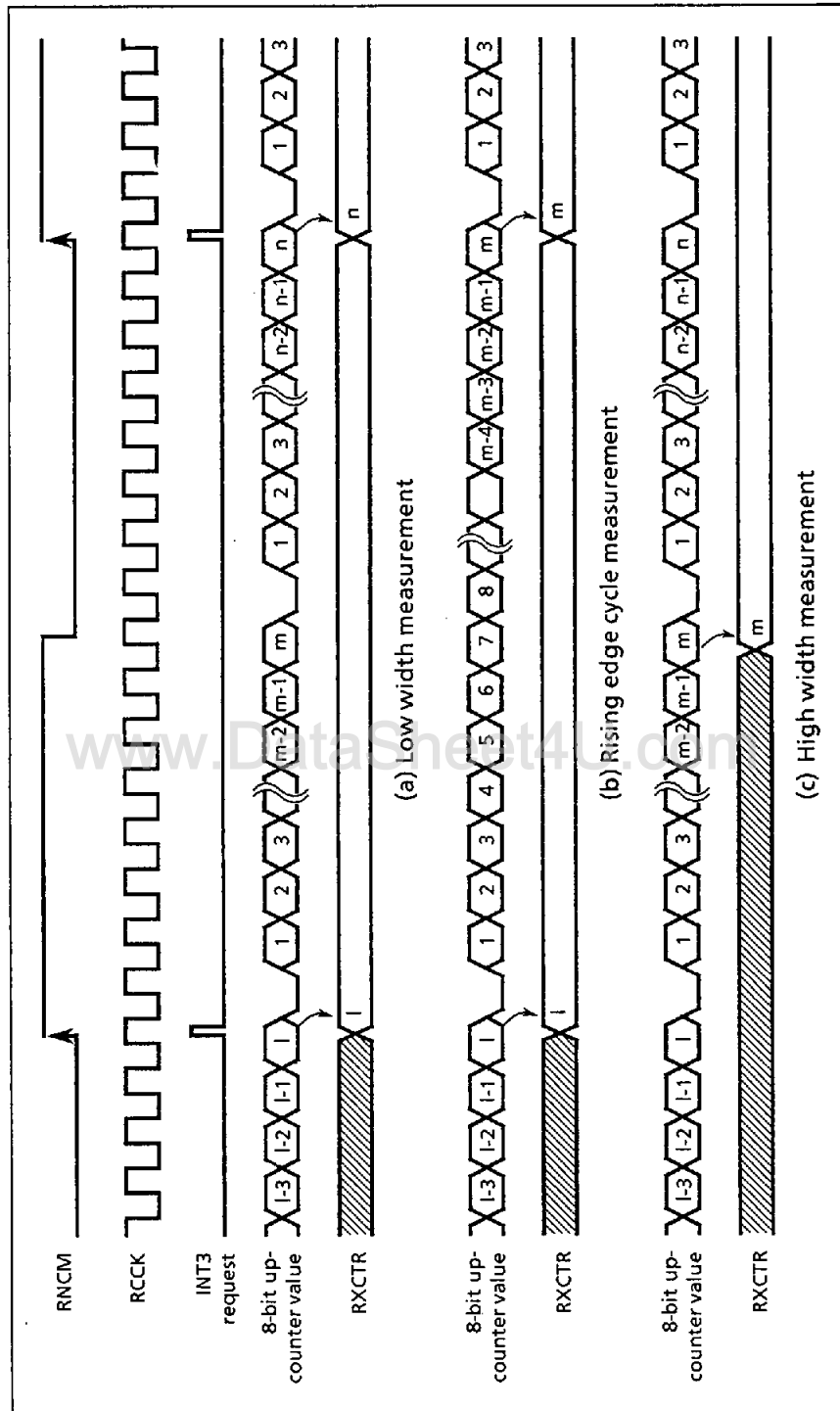


Figure 2-61. Rising Edge Interrupt Timing Chart (RPOLS = 0)



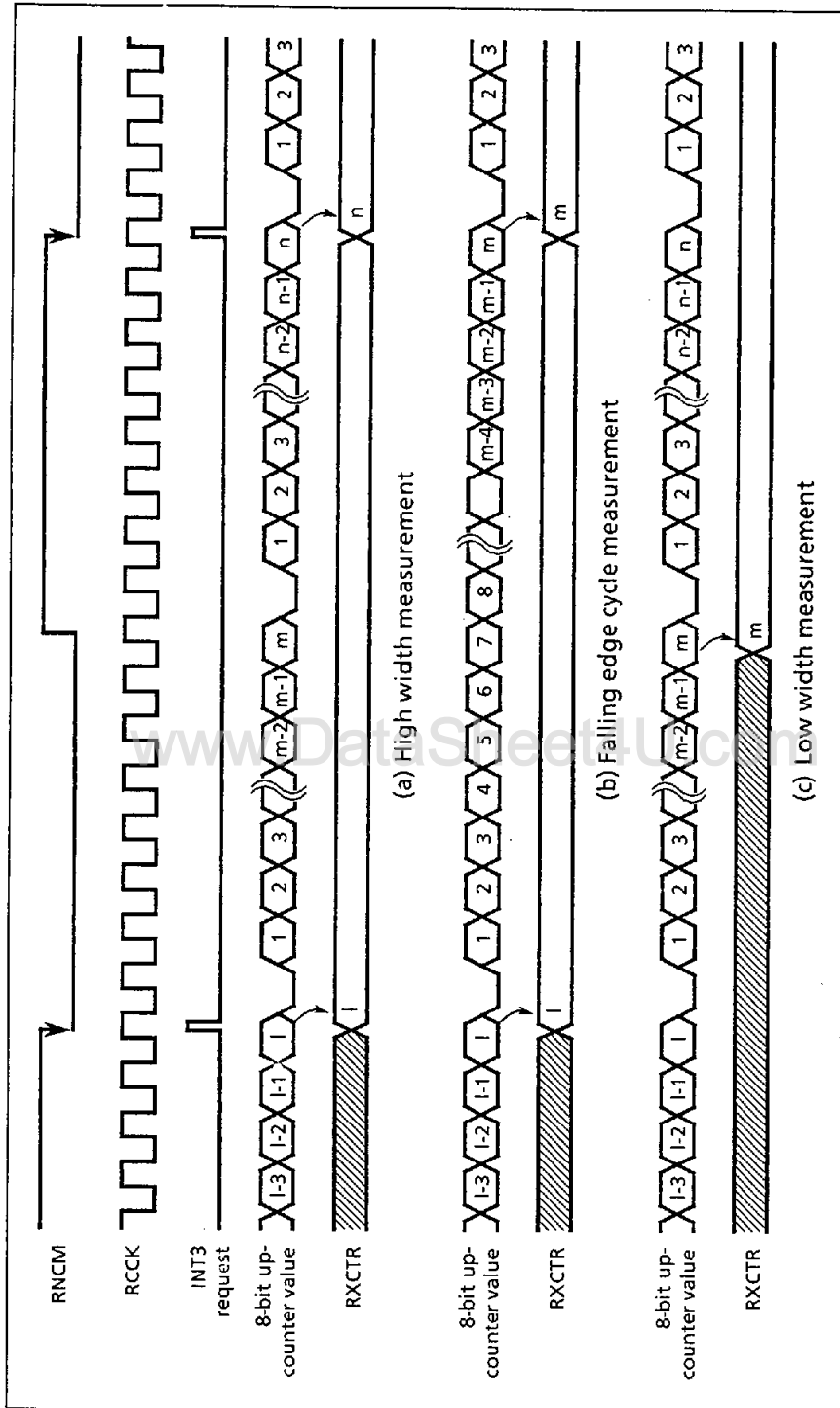


Figure 2-62. Falling Edge Interrupt Timing Chart (RPOLS = 0)

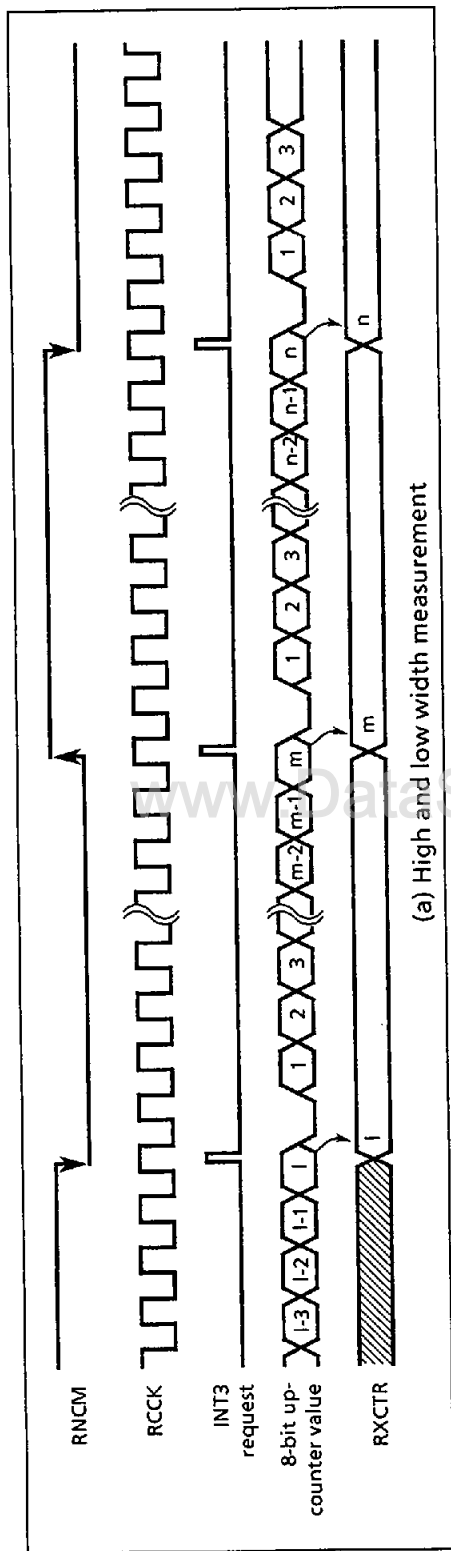


Figure 2-63. Rising/Falling Edge Interrupt Timing Chart

## (2) 8-bit receive end interrupts and measurement modes

By determining one-cycle remote control signal or one-pulse width as one-bit data "0" or "1", an INT3 request is generated after 8-bit data is received. When "0" is determined, this means the upper four bits in the 8-bit up-counter have not reached the CREGA value. When "1" is determined, this means the upper four bits in the 8-bit up-counter have reached or exceeded the CREGA value. The 8-bit up-counter value is saved in RXCTR after one bit is determined. The determined data is saved, bit by bit, in RXDBR at the rising edge of the remote control signal (when RPOLS = 1, falling edge). The number of bits saved in RXDBR is counted by the receive bit counter and saved in RBCTM. RBCTM is set to "0001B" at the rising edge of the input (when RPOLS = 1, falling edge) after the INT3 request is generated.

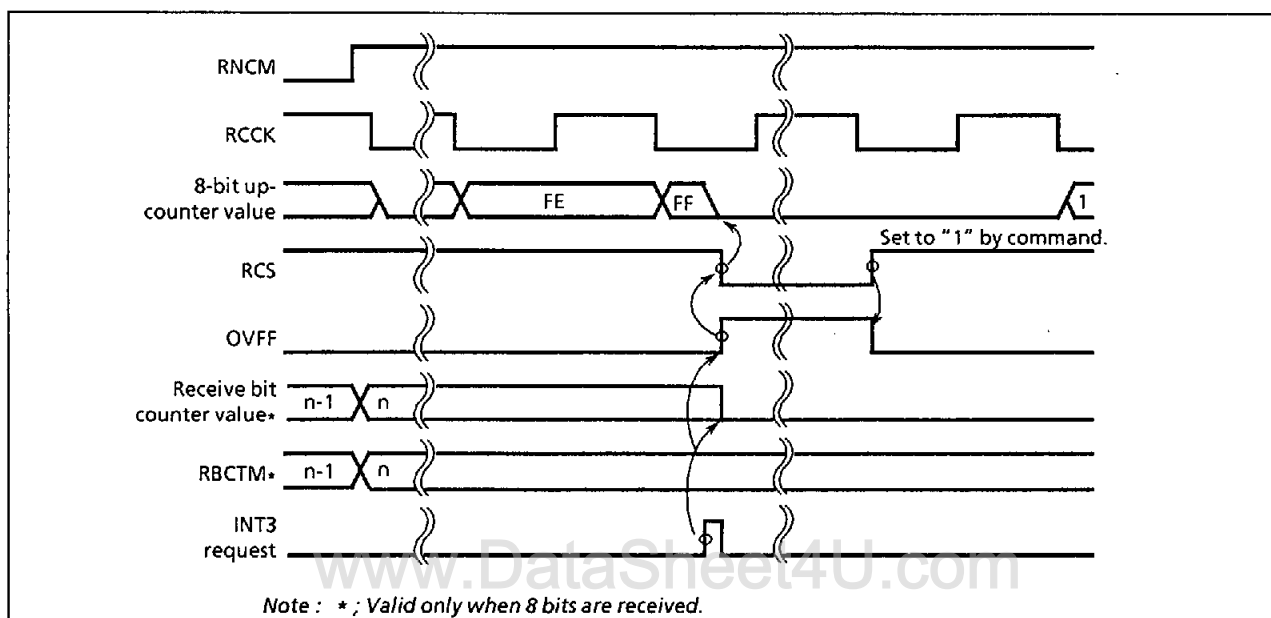


Figure 2-64. Overflow Interrupt Timing Chart

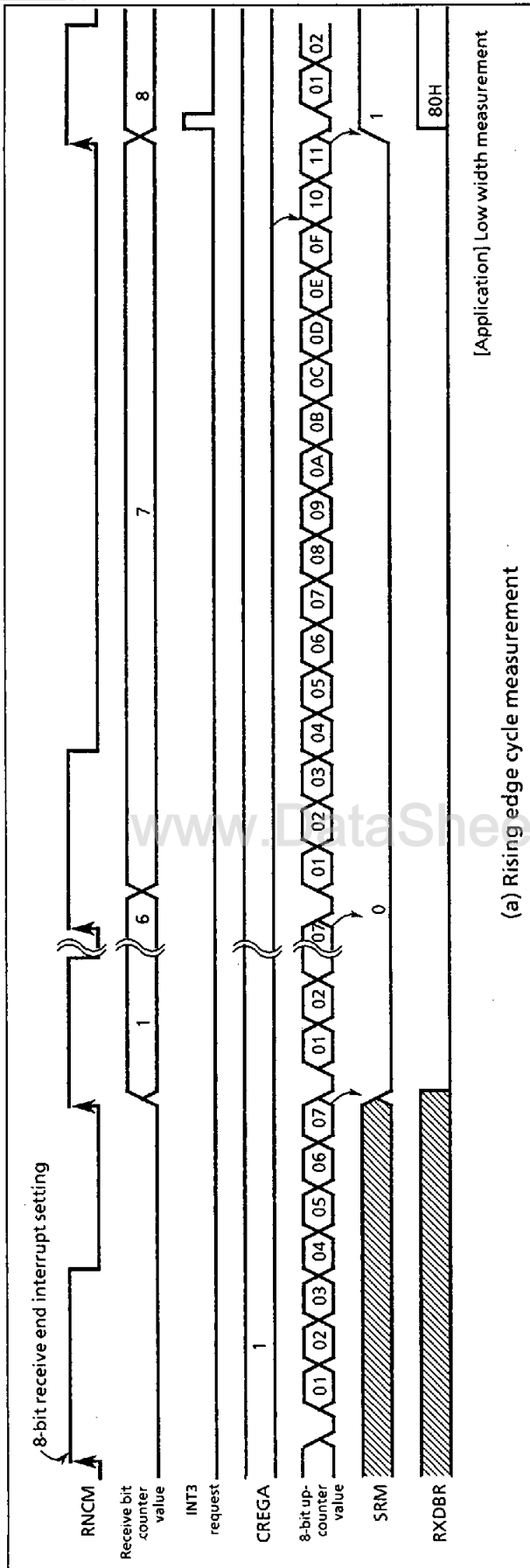


Figure 2-65. 8-bit Receive End Interrupt Timing Chart (RPOLS = 0)

Table 2-10. Count Clock for Remote Control Preprocessor Circuit

Count clock (RCCK)	at $f_c = 8 \text{ MHz}$	
	Resolution	Maximum setting time
$f_c/26$ [Hz]	8 $\mu\text{s}$	2.048 ms
$f_c/28$	32 $\mu\text{s}$	8.192 ms
$f_c/2^{10}$	128 $\mu\text{s}$	32.768 ms
$f_c/2^{12}$	512 $\mu\text{s}$	131.072 ms

## 2.11 6-bit A/D Conversion (Comparator) Inputs

The comparator input is an analog input to discriminate key input or AFC (Auto Frequency Control) signal input, etc. The analog input voltage level (pins CIN3 to CIN0) can be detected as 64-stage by setting reference voltage.

The comparator input pins CIN3 to CIN0 can also be used as ports P57 to P54.

When used as a comparator input, the output latch should be set to "1".

### 2.11.1 Configuration

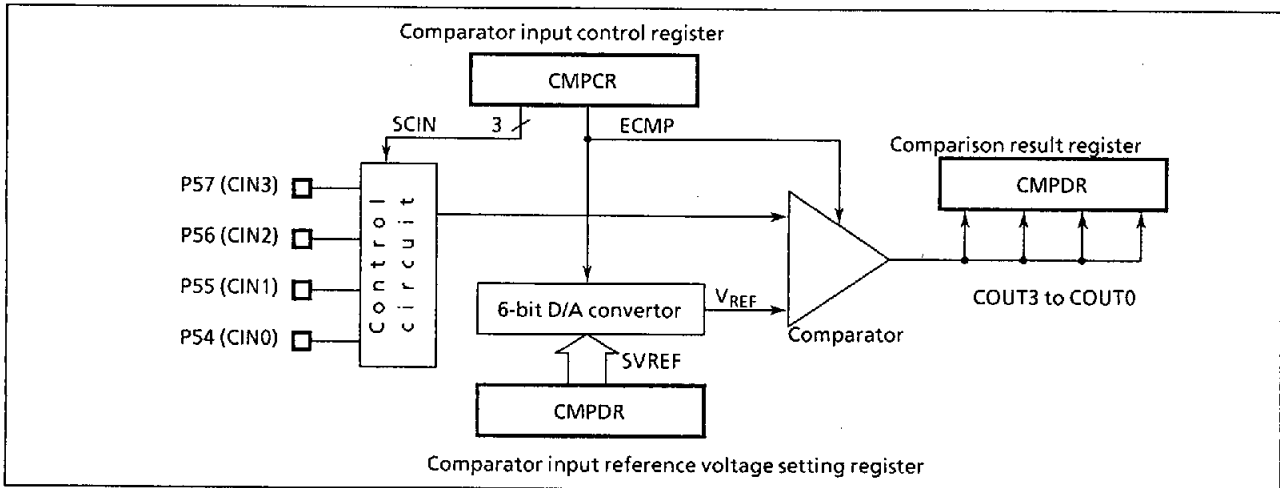


Figure 2-66. 6-bit A/D Conversion (Comparator) Inputs

www.DataSheet4U.com

## 2.11.2 Control

A/D conversion (comparator) inputs are controlled by a comparator input control register (CMPCR) and a comparator input data register (CMPDR). The CMPDR contains a reference voltage setting register (write-only) and a comparison result register (read-only).

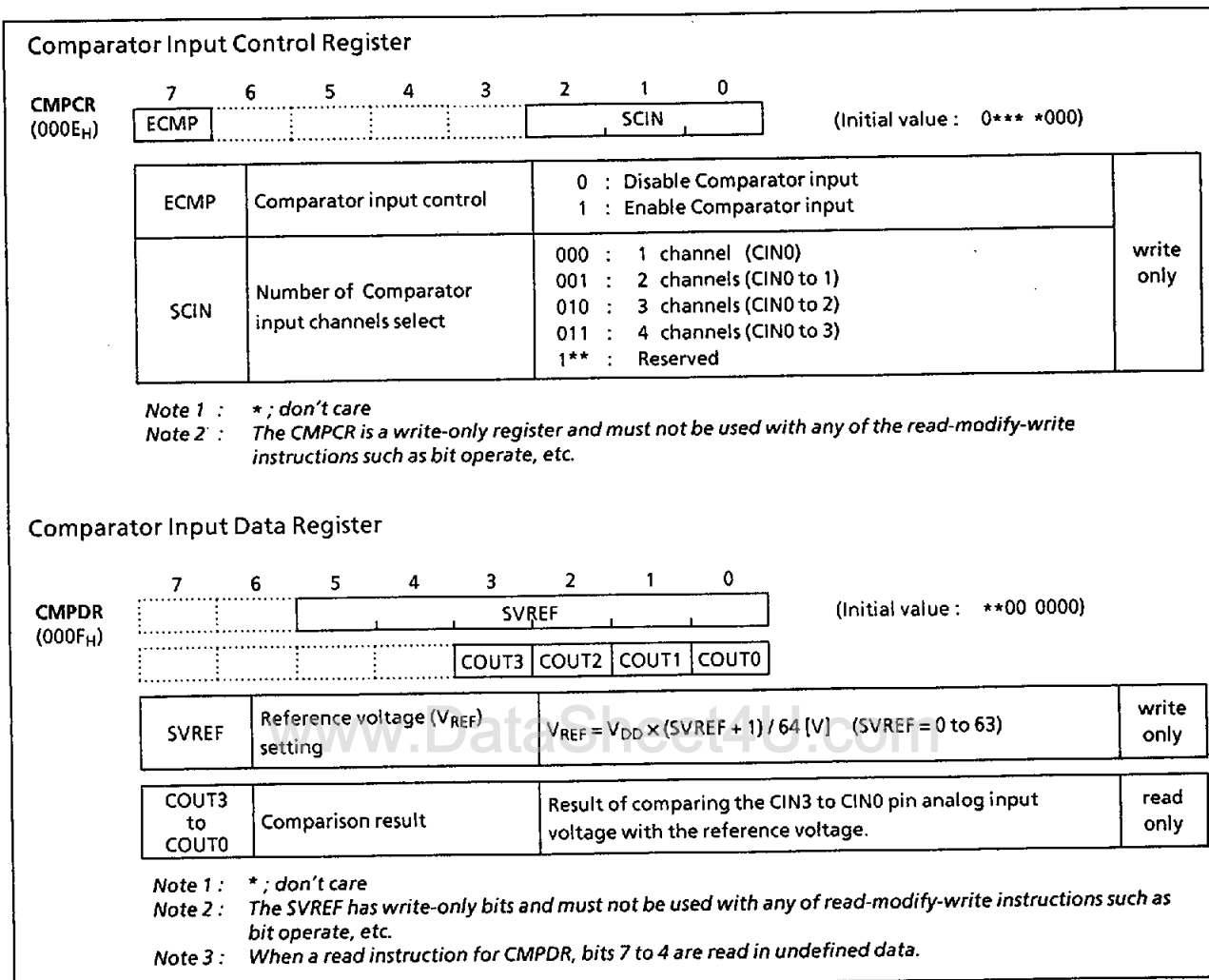


Figure 2-67. Comparator Input Control Register and Data Register

### 2.11.3 Function

Reference voltage ( $V_{REF}$ ) is set with SVREF (bits 5 to 0 in CMPDR).

$$V_{REF} = V_{DD} \times (SVREF + 1) / 64 [V] \quad (SVREF = 0 \text{ to } 63)$$

The number of comparator input channels is selected with SCIN (bits 2 to 0 in CMPCR). Sequential comparison of the selected number of channels is started by setting ECMP (bit 7 in CMPCR) to "1".

The comparison of one channel requires two machine cycles; therefore, the comparison result register (COUT3 to COUT0) should be read out at an interval equal to [number of channels  $\times$  2 machine cycles] after setting the reference voltage ( $V_{REF}$ ). COUT3 to COUT0 are set to "1" if the input voltage (pins CIN3 to CIN0) is higher than the reference voltage ( $V_{REF}$ ); otherwise those are cleared to "0".

*Note 1 : When entering STOP mode, ECMP is automatically cleared and SCIN/SVREF are held. And, COUT3 to COUT0 are always set to "1".*

*Note 2 : Any pins specified for comparator input with SCIN can no longer be used for normal digital input and, are read out as "0".*

*Note 3 : COUT3 to COUT0 are read out as "1" when not used as a comparator input. For example, bit 3 in CMPDR is always read out as "1" when SCIN = 010<sub>B</sub>.*

Example : Compares the CIN3 to CIN0 inputs with  $V_{REF} = 2.5 \text{ V}$  (at  $V_{DD} = 5 \text{ V}$ ).

LD (P5), 1111111B ; Set port P5 output latches to "1".

LD (CMPDR), 0001111B ; Set  $V_{REF} = 2.5 \text{ V}$

LD (CMPCR), 1000011B ; Set SCIN to 4 channels and Enables comparator input

⋮

; 4ch  $\times$  2 machine cycles - 2 = 6 machine cycles wait.

LD A, (CMPDR) ; Read CMPDR (COUT0 to COUT3).

Table 2-11. Reference Voltage (at  $V_{DD} = 5 \text{ V}$ )

SVREF						$V_{REF} [V]$
5	4	3	2	1	0	
0	0	0	0	0	0	0.078
0	0	0	0	0	1	0.156
0	0	0	0	1	0	0.234
⋮						
1	1	1	1	0	1	4.844
1	1	1	1	1	0	4.922
1	1	1	1	1	1	5.000

### 2.12 Pulse Width Modulation Circuit Output

87CH37/K37/M37 has a 14-bit resolution pulse width modulation (PWM) channel and 9 7-bit resolution PWM channels. D/A converter output can easily be obtained by connecting an external low-pass filter. PWM outputs are multiplexed with general purpose I/O ports as; P40 (PWM0) to P47 (PWM7), P50 (PWM8), P51 (PWM9). When these ports are used as PWM outputs, the corresponding bits of P4, P5 output latches and input/output control latches should be set to "1".

#### 2.12.1 Configuration

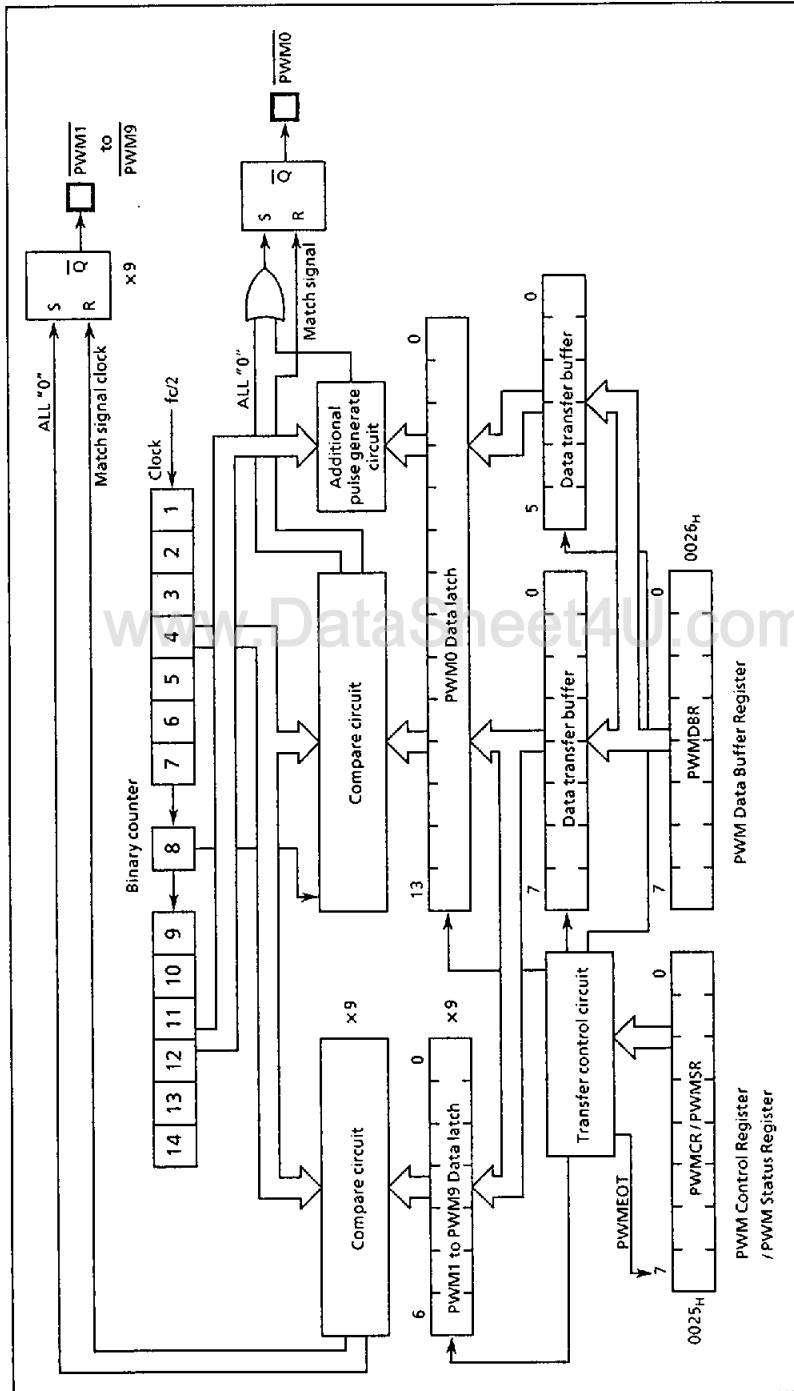


Figure 2-68. Pulse Width Modulation Circuit



## 2.12.2 PWM Output Wave Form

### (1) $\overline{\text{PWM0}}$ output

This is 14-bit resolution PWM output and one period is  $T_M = 2^{15}/f_c$  [s].

The 8 high-order bits of the PWM data latch control the pulse width of the pulse output with a period of  $T_S$  ( $T_S = T_M/64$ ), which is the sub-period of the  $\overline{\text{PWM0}}$ . When the 8-bit data are decimal  $n$  ( $0 \leq n \leq 255$ ), this pulse width becomes  $n \times t_0$ , where  $t_0 = 2/f_c$ .

The lower 6-bit of 14 bit data are used to control the generation of additional to wide pulse in each  $T_S$  period. When the 6-bit data are decimal  $m$  ( $0 \leq m \leq 63$ ), the additional pulse is generated in each of  $m$  periods out of 64 periods contained in a  $T_M$  period. The relationship between the 6 bits data and the position of  $T_S$  period where the additional pulse is generated is shown in Table 2-12.

Table 2-12. Correspondence between 6 Bits Data and the Additional Pulse Generated  $T_S$  Period

Bit position of 6 bits data	Relative position of $T_S$ where the output pulse is generated. (Number $i$ of $T_{S(i)}$ is listed)
Bit 0	32
Bit 1	16, 48
Bit 2	8, 24, 40, 56
Bit 3	4, 12, 20, 28, 36, 44, 52, 60
Bit 4	2, 6, 10, 14, 18, 22, 26, 30, ..., 58, 62
Bit 5	1, 3, 5, 7, 9, 11, 13, 15, 17, ..., 59, 61, 63

Note: When the corresponding bit is "1", it is output.

### (2) $\overline{\text{PWM1}}$ to $\overline{\text{PWM9}}$ outputs

These are 7-bit resolution PWM outputs and one period is  $T_N = 2^8/f_c$  [s]. When the 7-bit data are decimal  $k$  ( $0 \leq k \leq 127$ ), the pulse width becomes  $k \times t_0$ . The wave form is illustrated in Figure 2-69.

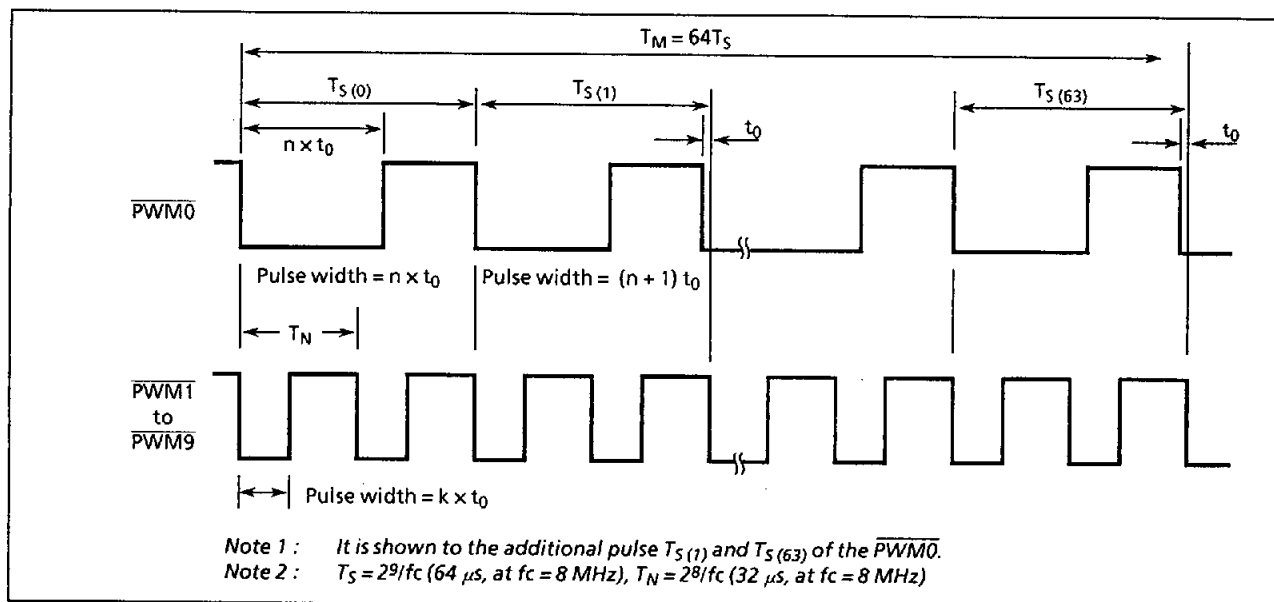


Figure 2-69. PWM Output Wave Form

### 2.10.3 Control

PWM output is controlled by PWM Control Register (PWMCr) and PWM Data Buffer Register (PWMDbR). The status of transfer PWM data from PWMDbR to PWM data latch is read by PWMEOT of PWM status register (PWMSr).

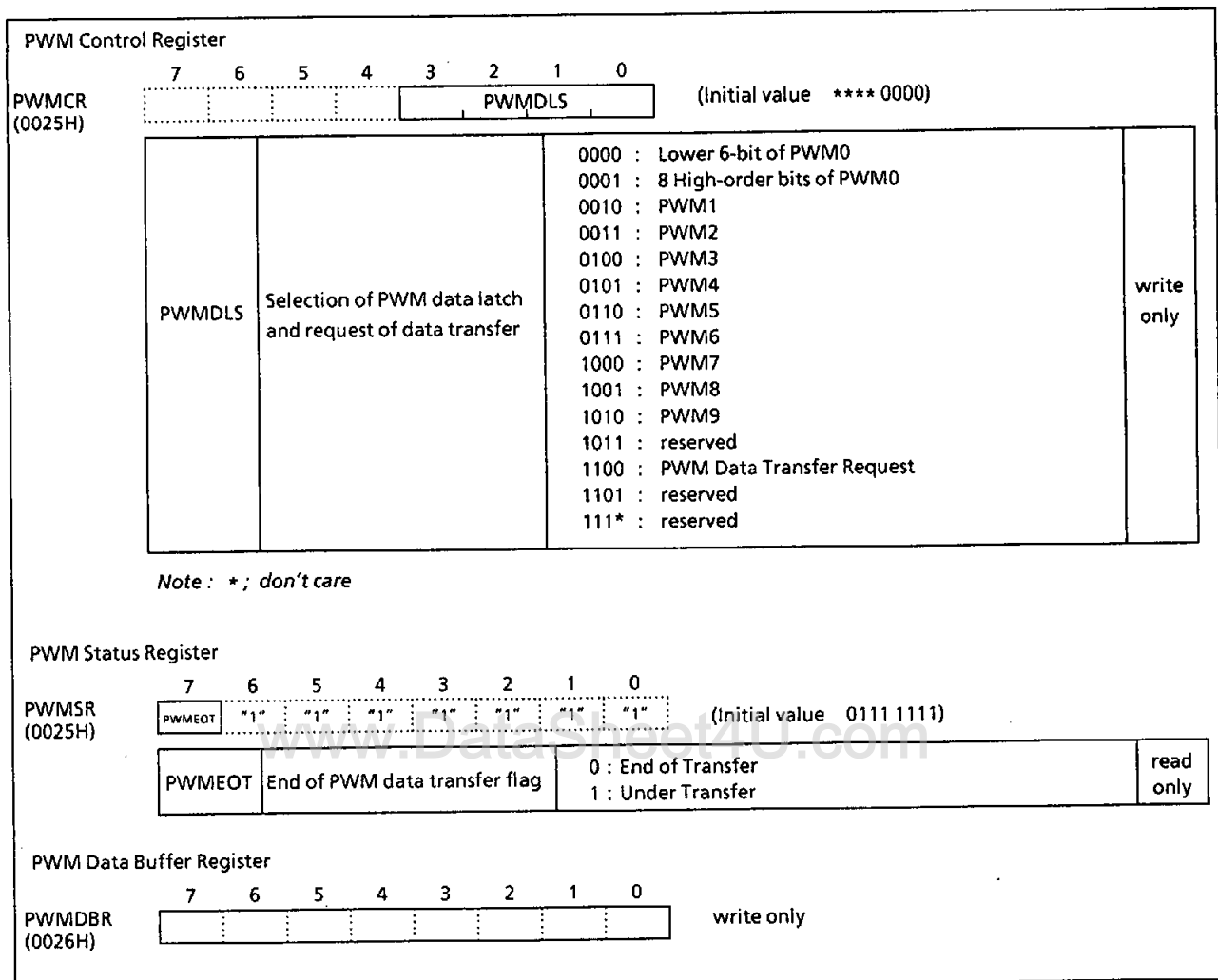


Figure 2-70. PWM Control Register / PWM Status Register / PWM Data Buffer Register

## (1) Programming of PWM Data

PWM output is controlled by writing the output data to data latches.

The sequence of writing the output data to data latch is shown as follows;

1. Write the channel number of PWM data latch to the PWMDLS.
2. Write PWM output data to the PWMDBR.
3. Write "0CH" to the PWMCR.

When transferring of the output data is completed, the PWMEOT becomes "0", indicating that the next data can be written. Do not write PWM data when the PWMEOT is "1" because write errors can occur in this case.

*Note :* When writing the output data to PWM0 data latch, write "0CH" to the PWMCR after writing of the 14-bit output data is completed.

While the output data are being written to the data latch, the previously written data are being output. The maximum time from the point at which "0CH" is written to the data latch until PWM output is switched is  $2^{15}/f_c$  [s] (4.096 ms, at  $f_c = 8$  MHz) for PWM0 output and  $2^9/f_c$  [s] (64  $\mu$ s, at  $f_c = 8$  MHz) for PWM1 to PWM9 output.

Example : PWM0 pin outputs a PWM wave form with a low level of 32  $\mu$ s width and no additional pulse.

PWM1 pin outputs a PWM wave form with a low level of 16  $\mu$ s width.

PWM2 pin outputs a PWM wave form with a low level of 8  $\mu$ s width.

*Note :* at  $f_c = 8$  MHz

```

LD      (PWMCR), 00H ; Select lower 6-bit of PWM0
LD      (PWMDBR), 00H ; No additional pulse
LD      (PWMCR), 01H ; Select 8 high-order bits of PWM0
LD      (PWMDBR), 80H ;  $32 \mu s \div 2/f_c = 80 \mu s$ 
LD      (PWMCR), 0CH ; Request PWM Data Transfer
WAIT0 : TEST      (PWMSR). 7 ; PWMEOT = 0?
        JRS      F, WAIT0
LD      (PWMCR), 02H ; Select PWM1
LD      (PWMDBR), 40H ;  $16 \mu s \div 2/f_c = 40 \mu s$ 
LD      (PWMCR), 0CH ; Request PWM Data Transfer
WAIT1 : TEST      (PWMSR). 7 ; PWMEOT = 0?
        JRS      F, WAIT1
LD      (PWMCR), 03H ; Select PWM2
LD      (PWMDBR), 20H ;  $8 \mu s \div 2/f_c = 20 \mu s$ 
LD      (PWMCR), 0CH ; Request PWM Data Transfer
WAIT2 : TEST      (PWMSR). 7 ; PWMEOT = 0?
        JRS      F, WAIT2

```

### 2.13 Pulse Output Circuit (PULSE)

Pulse output circuit generates the pulse clock of duty 50 % by dividing the High-frequency clock.

The pulse output is used for the basic clock for the PLL IC or peripheral ICs. When P52 port is used as the pulse output, set P52 output latch to "1".

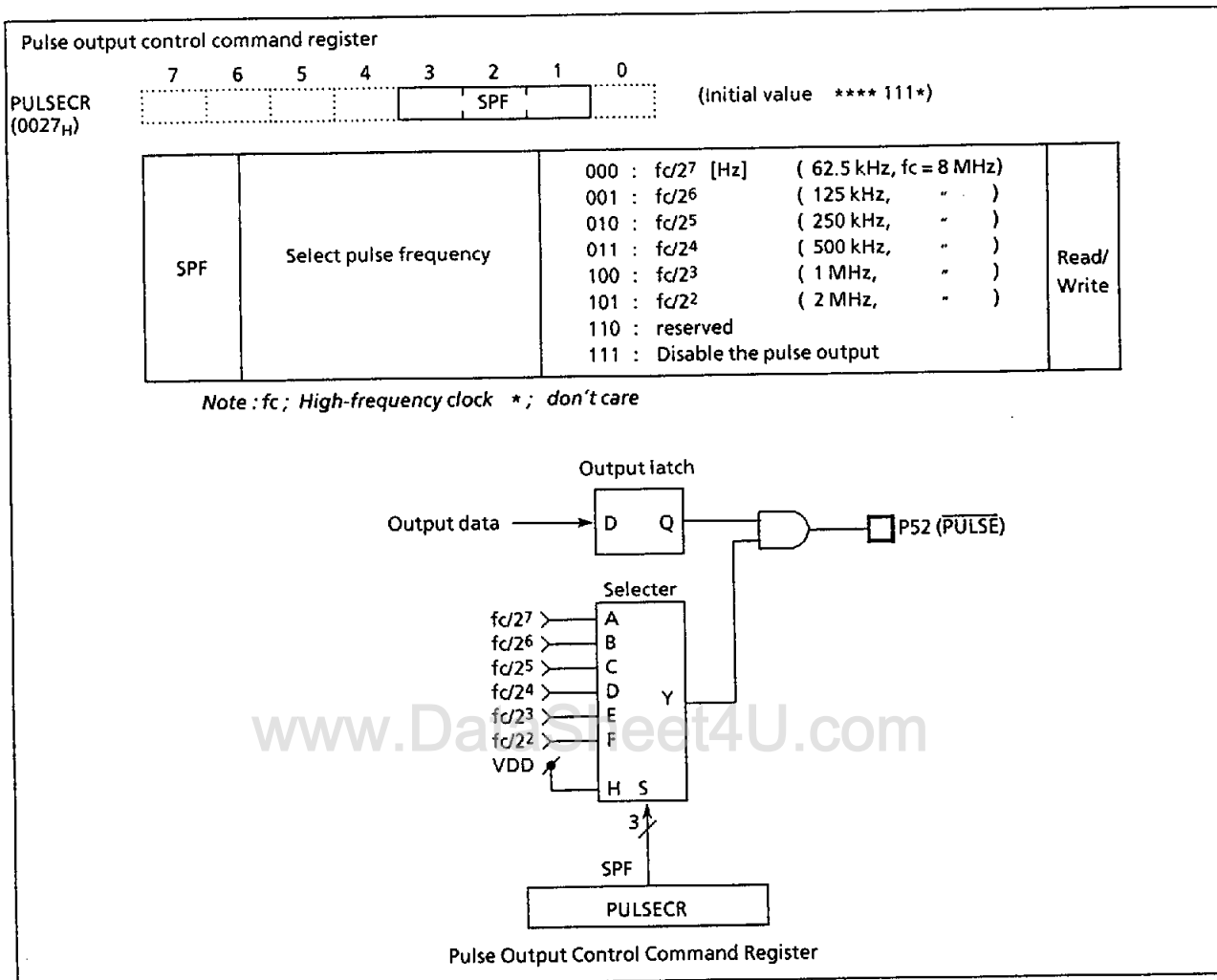


Figure 2-71. Pulse Output Circuit

## 2.14 On-Screen Display (OSD) Circuit

The TMP87CH37/K37/M37 features a built-in on-screen display circuit used to display characters and symbols on the TV screen. 288 characters in any of 128 character fonts can be displayed in 24 characters x 12 rows.

OSD circuit functions are as follows:

- ① Number of character fonts 128 (including the "blank" character)
- ② Number of display characters 288 (24 characters x 12 rows)
- ③ Composition of a character 14 x 18 dots
- ④ Character sizes 3 (selectable line by line)
- ⑤ Display colors
 

Character colors	: 8 (selectable character by character)
Fringe color	: 8 (selectable page by page)
Background color	: 8 (selectable page by page)
- ⑥ Fringing function (for large, middle, and small characters)
- ⑦ Smoothing function (for large and middle characters)
- ⑧ Display position horizontal : 128 steps; vertical : 256 steps
- ⑨ Full-raster blanking function
- ⑩ Blinking function
- ⑪ Reverse function
- ⑫ Reverse Blinking function
- ⑬ Window function

### 2.14.1 Configuration

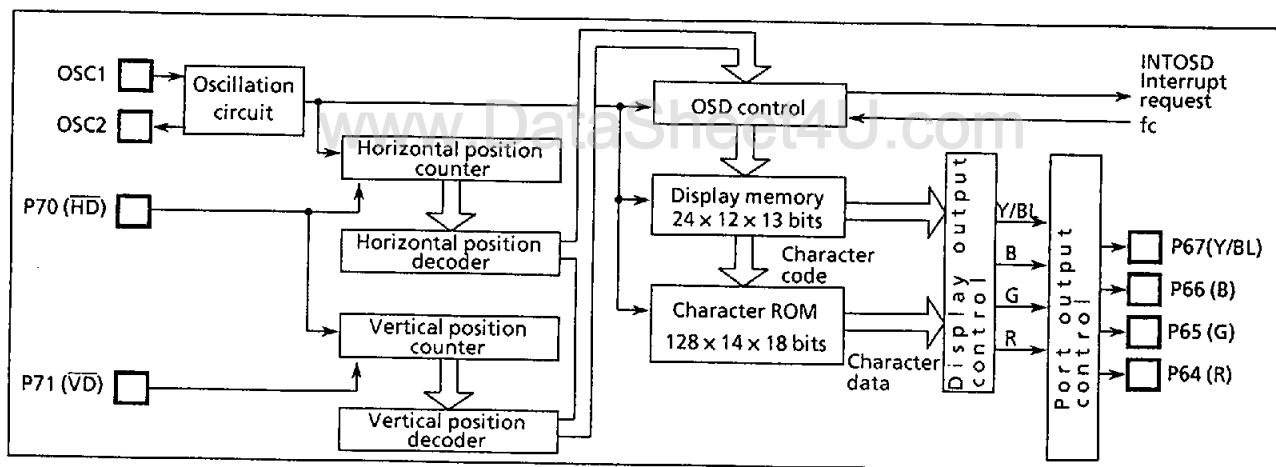


Figure 2-72. OSD Circuit

## 2.14.2 Character ROM and Display Memory

### (1) Character ROM

The character ROM contains 128 character fonts. The user can set fonts as desired. The character ROM consists of 128 characters in 14 x 18 dots (character codes 00<sub>H</sub> to 7F<sub>H</sub>). Each dot corresponds to one bit in the character ROM. When a bit in the character ROM is set to "1", the corresponding dot is displayed; if set to "0", the dot is not displayed. The start address in the character ROM corresponding to a character code is determined by the following expression:

$$\text{Start address in character ROM} = \text{CRA} \times 40_{\text{H}} + 4000_{\text{H}}$$

Since character code 00<sub>H</sub> is used as blank character, the character font for this character code cannot be changed. Write "0" in the data of character code 00<sub>H</sub>.

Set all unused bits (bit 7 with 0<sub>H</sub> to 8<sub>H</sub> in the lower 4-bit of an address) to "1" and write the data "FF<sub>H</sub>" to all unused address (the lower 4-bit of an address are 9<sub>H</sub> to F<sub>H</sub>) in character ROM.

Figure 2-73. (a) shows an example of the character font configuration for the character code 00<sub>H</sub> and 01<sub>H</sub>, together with the ROM addresses and data.

Figure 2-73. (b) shows the character ROM dump list for these 2 character fonts.

*Note 1 : CRA ; Character code (00<sub>H</sub> to 7F<sub>H</sub>)*

*Note 2 : A data can not be read from the character ROM by software.*

*Note 3 : When ordering a mask, load the data to character ROM at addresses 4000<sub>H</sub> to 5FFF<sub>H</sub>.*

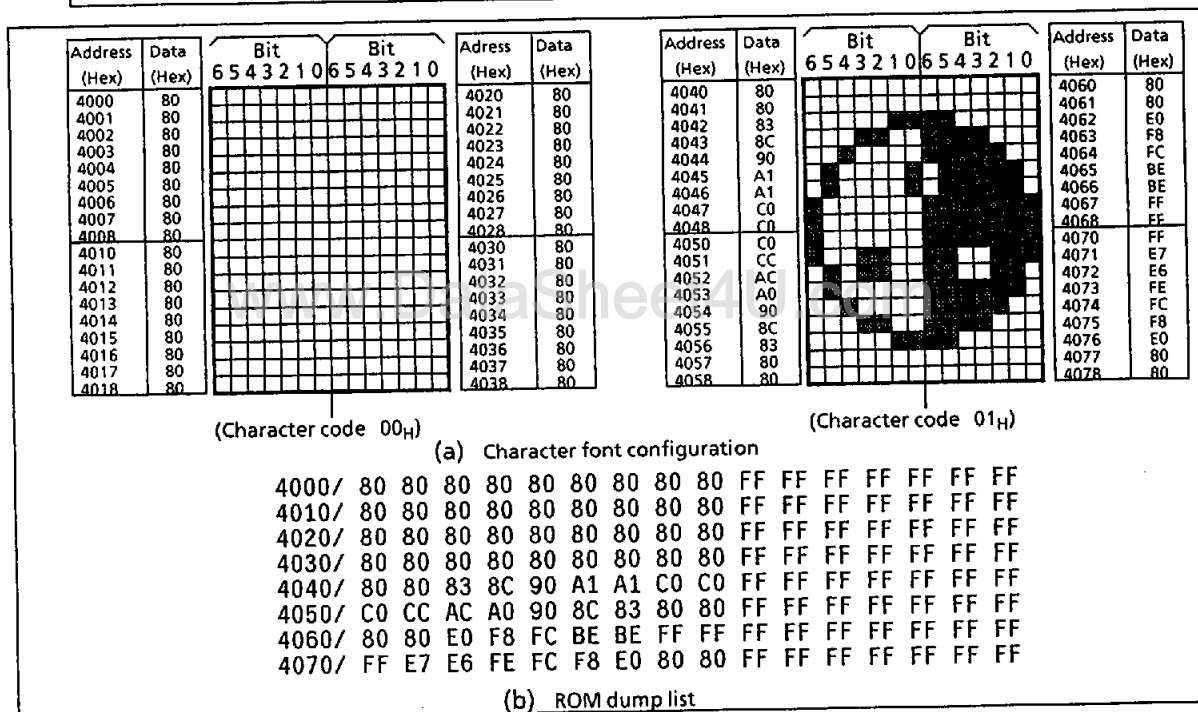


Figure 2-73. Character Font Configuration and ROM Dump List

### (2) Display memory

Each character out of the 288 characters displayed in 24 characters x 12 rows consists of 13 bits in the display memory. Five data items are written to the display memory: character code, color data, blinking specification, reverse specification, and reverse blinking specification. The display memory contents become unstable after the reset operation is released.

There are two modes for writing display data to the display memory. One mode is for writing all display data (character code, color data, blinking specification, reverse specification, and reverse blinking specification) simultaneously. The other mode is for changing either character code or character ornamentation data (color data, blinking specification, reverse specification, and reverse blinking specification). How the display data is written to the display memory is described in section 2.14.3 (18).

## Display memory configuration

- Character code specification register (7 bits) ... CRA6 to 0
- Color data specification register (3 bits) ... RDT / GDT / BDT
- Blinking specification register (1 bit) ... BLF
- Reverse specification register (1 bit) ... RVF
- Reverse blinking specification register (1 bit) ... RBF

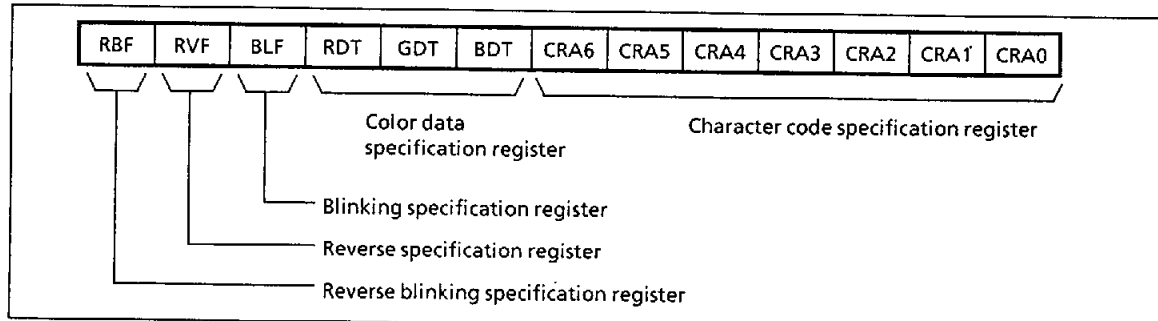


Figure 2-74. Display Memory Bit Configuration

Character Row	1	2	3	4	5	6	7	8	9	10	11	12	13	14	15	16	17	18	19	20	21	22	23	24
1	000	001	002	003	004	005	006	007	008	009	00A	00B	00C	00D	00E	00F	010	011	012	013	014	015	016	017
2	020	021	022	023	024	025	026	027	028	029	02A	02B	02C	02D	02E	02F	030	031	032	033	034	035	036	037
3	040	041																						057
4	060	061																						077
5	080	081																						097
6	0A0	0A1																						0B7
7	0C0	0C1																						0D7
8	0E0	0E1																						0F7
9	100	101																						117
10	120	121																						137
11	140	141																						157
12	160	161																						176 177

Note: Numerals in the table indicate (hexadecimal) addresses in the display memory.

Figure 2-75. Display Memory Address Configuration

## 2.14.3 OSD circuit control

The OSD circuit is controlled by using the OSD control registers assigned to addresses 0F80<sub>H</sub> to 0F9A<sub>H</sub> in the data buffer register (DBR). For write to or read from the OSD control registers, see section 2.14.3 (19). The OSD control registers are used to set display start position, display character ornamentalions (that is, fringing, smoothing, color data, character size, and etc.), display memory addresses, character codes, and etc.

After all settings are complete, setting the display on-off control bit, EDISP (bit 0 in ORDON) to "1" enables display (starts display). Setting EDISP to "0" disables display (halts display).

Note : The contents of OSD control registers are not initialized in STOP mode.

## (1) Display position

The horizontal display start position can be set in 128 steps. The vertical display start positions can be specified for each line using 256 steps. The horizontal display start position is set with OSD control registers HS16 to HS10 (bit 6 to 0 in ORHS1). The vertical display start position of the line 1 is set with VS17 to VS10 (in ORVS1). The vertical display start position of the line 2 to 12 are determined by setting VS27 to VS20 ... VS127 to VS120 (ORVS2 to ORVS12) in the same way.

## Horizontal display start position

Specification unit : Display page

Specification steps : 128

Specification horizontal display start position : Line 1 to 12 : HS16 to HS10

When FORS is "0" (Normal mode)

$$HS1 = (HS16 \text{ to } HS10)_H \times 2T_{osc} + 10T_{osc} \text{ (Line 1 to 12)}$$

When FORS is "1" (Double frequency mode)

$$HS1 = (HS16 \text{ to } HS10)_H \times 2T_{osc} + 6T_{osc} \text{ (Line 1 to 12)}$$

Note :  $T_{osc}$  ; One cycle of OSC oscillation

## Vertical display start position

Specification unit : Line

Specification steps : 256

Specification vertical display start position : Line 1 : VS17 to VS10

Line 2 : VS27 to VS20

Line 12 : VS127 to VS120

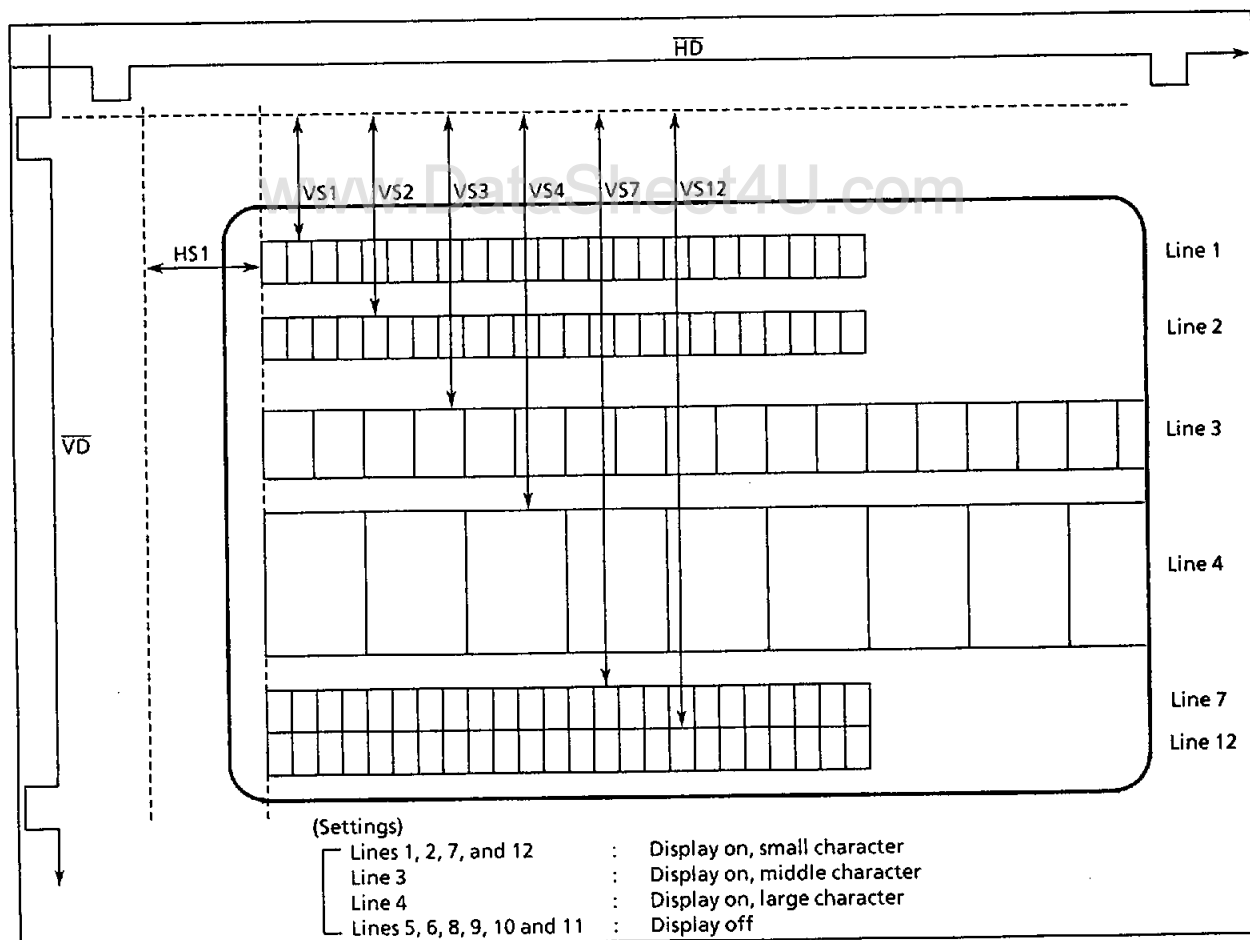


Figure 2-76. TV Screen Image



When VDSMD is "0" (Normal mode)

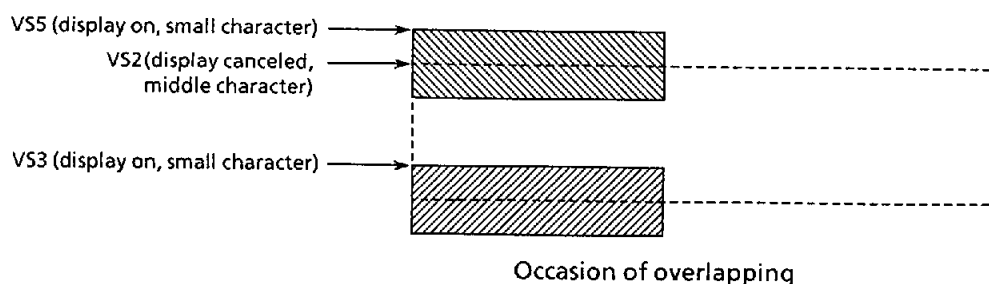
$$\text{Line } n : VS_n = (VS_{n7} \text{ to } VS_{n0})_H \times 2T_{HD} \quad (n ; 1 \text{ to } 12)$$

When VDSMD is "1" (Double scan mode)

$$\text{Line } n : VS_n = (VS_{n7} \text{ to } VS_{n0})_H \times 4T_{HD} \quad (n ; 1 \text{ to } 12)$$

Note1 :  $T_{HD}$  ; One cycle of HD signal

Note2 : If display lines are overlapped each other, previous display line is enabled and next line is disabled. Set the vertical display start position not to overlap display lines.



Note3 : The line which is displayed off is managed as a small size character line. It is recommendable that its vertical display start position should be set out of TV screen.

Note4 : Transfer the contents of vertical display start position registers into OSD circuit before the position of the scanning line coincides with their own vertical display start position

### (2) Double scan mode

The double scan mode is used to handle non-interlaced scanning TV. When double scan mode is enabled, the vertical display counter increases every 4 scan lines and a vertical dot size is double. This function is enabled by setting VDSMD (bit 3 in ORETC) in the OSD control register to "1".

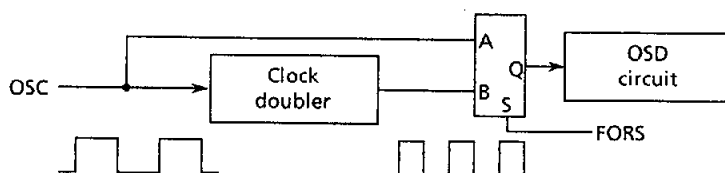
Scan mode select register (1 bit) ... VDSMD (bit 3 in ORETC)

"0" ... Normal mode

"1" ... Double scan mode

### (3) Double frequency mode

The double frequency mode is used to display OSD by the OSC frequency doubled. When this function is enabled, the clock which is doubled by a clock doubler is inputted into an OSD circuit.



This function is enabled by setting FORS (bit 4 in ORDON) in the OSD control register to "1".

OSC frequency select register (1 bit) ... FORS (bit 4 in ORDON)

"0" ... Normal mode

"1" ... Double frequency mode

## (4) Character sizes and display on / off

Character size can be selected line by line from 3 sizes. And display on / off also can be set line by line. Small, middle and large character size and display on / off can be set with OSD control registers CS11, CS10...CS121, CS120 (ORCS4, ORCS8, and ORCS12) in the OSD control registers.

Character sizes : 3 sizes (Small, middle and large)

Character size and display on / off specification unit : Line

Character size select/display on / off register (2 bits x 12)

Line 1: CS11 and CS10

Line 2: CS21 and CS20

: :

Line 12: CS121 and CS120

Table 2-13. Character Size and Display On / Off Specifications (n ; 1 to 12)

CSn1	CSn0	Character size	Display on/off
1	1	Small	On
1	0	Middle	On
0	1	Large	On
0	0	–	Off

Note : The line which is displayed off is managed as a small character size line by the overlap of vertical display start position, the display line counter function, and etc.

Table 2-14. Dot and Character Sizes

		VDSMD = 0 (Normal mode)		VDSMD = 1 (Double scan mode)	
		Dot size	Character size	Dot size	Character size
FORS = 0 (normal mode)	Small	1 T <sub>OSC</sub> × 1 T <sub>HD</sub>	14 T <sub>OSC</sub> × 18 T <sub>HD</sub>	1 T <sub>OSC</sub> × 2 T <sub>HD</sub>	14 T <sub>OSC</sub> × 36 T <sub>HD</sub>
	Middle	2 T <sub>OSC</sub> × 2 T <sub>HD</sub>	28 T <sub>OSC</sub> × 36 T <sub>HD</sub>	2 T <sub>OSC</sub> × 4 T <sub>HD</sub>	28 T <sub>OSC</sub> × 72 T <sub>HD</sub>
	Large	4 T <sub>OSC</sub> × 4 T <sub>HD</sub>	56 T <sub>OSC</sub> × 72 T <sub>HD</sub>	4 T <sub>OSC</sub> × 8 T <sub>HD</sub>	56 T <sub>OSC</sub> × 144 T <sub>HD</sub>
FORS = 1 (double frequency mode)	Small	0.5 T <sub>OSC</sub> × 1 T <sub>HD</sub>	7 T <sub>OSC</sub> × 18 T <sub>HD</sub>	0.5 T <sub>OSC</sub> × 2 T <sub>HD</sub>	7 T <sub>OSC</sub> × 36 T <sub>HD</sub>
	Middle	1 T <sub>OSC</sub> × 2 T <sub>HD</sub>	14 T <sub>OSC</sub> × 36 T <sub>HD</sub>	1 T <sub>OSC</sub> × 4 T <sub>HD</sub>	14 T <sub>OSC</sub> × 72 T <sub>HD</sub>
	Large	2 T <sub>OSC</sub> × 4 T <sub>HD</sub>	28 T <sub>OSC</sub> × 72 T <sub>HD</sub>	2 T <sub>OSC</sub> × 8 T <sub>HD</sub>	28 T <sub>OSC</sub> × 144 T <sub>HD</sub>

Note : T<sub>OSC</sub>; One cycle of OSC oscillation    T<sub>HD</sub>; One cycle of HD signal

## (5) Smoothing function

The smoothing function is used to make characters look smooth. Enabling smoothing displays 1/4 dot between two dots connecting corner to corner within a character. Small size character can not be enabled smoothing. Smoothing is enabled by setting ESMZ (bit 4 in ORETC) in the OSD control register to "1".

Smoothing specification unit: Display page

Smoothing specification register (1 bit) ... ESMZ (bit 4 in ORETC)

"0" ... Disable smoothing

"1" ... Enable smoothing

## (6) Fringing function

The fringing function is used to display a character with a fringe width is 1/2 dot in a different color from that of the character. For small characters, fringe width is 1 dot. When a character is displayed with the maximum of 14 vertical dots and 18 horizontal dots, the fringe exceeds right and left, top, and bottom of the character display area. The exceeded fringe can be displayed; however, display characters have higher priority to fringe horizontally.

Fringing is enabled for each line by setting EFR1 to EFR12 (OREFR and bit 3 to 0 in ORP6DS) in the OSD control register to "1".

A color for fringe is specified common to all lines using OSD control registers, RFDT, GFDT, and BFDT, (bit 2 to 0 in ORBK).

Fringing specification unit: Line

Fringing enable register (1 bit x 12) ... EFRn (n: 1 to 12) (OREFR and bit 3 to 0 in ORP6DS)

"0" ... Disable fringing

"1" ... Enable fringing

Fringe color specification unit: Display page

Fringe color register (3 bits) ... RFDT, GFDT, BFDT (bit 2 to 0 in ORBK)

*Note : When a display line is enabled fringing function, its vertical size is increased by one dot (by two dots when its character size is small) independent of its character font. Therefore, when a vertical display start position is specified to no space between the lines, the display line which is overlapped with increasing dot (s) is canceled.*

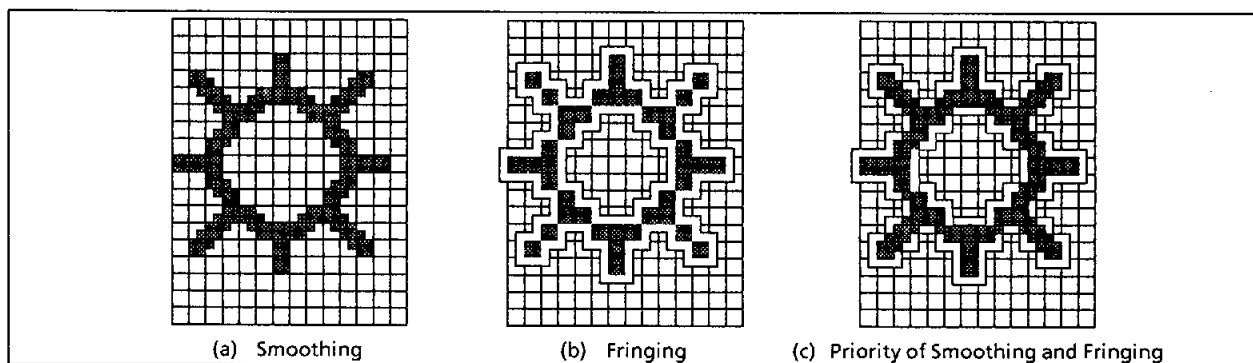


Figure 2-77. Smoothing / Fringing / Priority of Smoothing and Fringing

## (7) Background color function

Background color function is used to color the entire background for the character area (14 x 18 dots). Except the character area whose character code is 00H.

This function is specified for each display page by setting EBKGD (bit 7 in ORBK) in the OSD control register to "1".

A background color is specified for each display page by setting RBDT, GBDT, and BBDT (bit 5 to 3 in ORBK) in the OSD control registers. A color specification is same as them for full-raster blanking.

Background specification unit: Display page

Background enable register (1 bit) ... EBKGD (bit 7 in ORBK)

"0" ... Disable background

"1" ... Enable background

Background color specification unit: Display page

Background color specification registers (3 bits) ... RBDT, GBDT, BBDT (bit 5 to 3 in ORBK)

*Note: When the background color function is used, the blank character (Code 00H) can not be used as the first character on the fringing line.*

## (8) Full-raster blanking function

Full-raster blanking function is used to color the entire background for the display area (TV screen).

When using the full-raster blanking function, set YBLCS (bit7 in ORETC) to "1", output BL signal from Y/BL pin, because Y signal cannot delete whole display page from video signal.

This function is specified for each display page by setting EXBL (bit 6 in ORBK) in the OSD register to "1". Color specification is same as them for background color.

Full-raster blanking specification unit: Display page

Full-raster blanking enable register (1 bit) ... EXBL (bit 6 in ORBK)

"0" ... Disable full-raster blanking

"1" ... Enable full-raster blanking

Full-raster blanking color specification registers (3 bits) ... RBDT, GBDT, BBDT (bit 5 to 3 in ORBK)

## (9) Reverse function

This function is used to reverse the background and character colors. However, when fringing is specified, the fringe color does not change. If background function is not used, background color is black.

Reverse function is enabled by setting RVF (bit 4 in ORDSN) in the OSD control register to "1".

Reverse specification: Character

Reverse enable register (1 bit) ... RVF (bit 4 in ORDSN)

"0" ... Disable reverse

"1" ... Enable reverse

## (10) Reverse blinking function

Reverse blinking function is used to reverse the background and character colors.

When RBMF is "1", characters specified for blinking by RBF are reversed the background and character colors. However, when fringing is specified, the fringe color does not change. If background function is not used, background color is black.

Reverse blinking specification unit: Character

Reverse blinking specification register (1 bit) ... RBF (bit 5 in ORDSN)

"0" ... No reverse blinking

"1" ... Reverse blinking

Reverse blinking master specification register (1 bit) ... RBMF (bit 5 in ORETC)

"0" ... Disable reverse blinking

"1" ... Enable reverse blinking

(Characters whose RBF is set to "1" are reversed the background and character colors.)

Table 2-15. Display Mode

RBF	RVF	RBMF	Display
0	0	*	Normal
0	1	*	Reverse
1	0	0	Normal
		1	Reverse
1	1	*	reserved

\*; don't care

## (11) Blinking function

Blinking function is used to blink display characters.

When BKMF is "1", characters specified for blinking by BLF are not displayed. (If the background color function is used, the background color is not disappeared.)

Blinking specification unit: Character

Blinking specification register (1 bit) ... BLF (bit 3 in ORDSN)

"0" ... No blinking

"1" ... Blinking

Blinking master specification register (1 bit) ... BKMF (bit 6 in ORETC)

"0" ... Disable blinking

"1" ... Enable blinking (Characters whose BLF are set to "1" are not displayed.)

## (12) Character

Characters: 128 (including blank character)

Character specification register (7 bits) ... CRA6 to CRA0 (bit 6 to 0 in ORCRA)

Character code "00<sub>H</sub>" ... Blank character

Character code "01<sub>H</sub>" to "7F<sub>H</sub>" ... User programmable by character ROM

## (13) Character color

Character colors: 8

Character color specification unit: Character

Character color specification register (3 bits) ... RDT / GDT / BDT (bit 2 to 0 in ORDSN)

Table 2-16. Character Color

RDT	GDT	BDT	Character Color
0	0	0	Black
0	0	1	Blue
0	1	0	Green
0	1	1	Cyan
1	0	0	Red
1	0	1	Magenta
1	1	0	Yellow
1	1	1	White

## (14) OSD interrupt

## 1) Display line counter

The display line counter indicates number of display line(s) by OSD circuit on the TV screen. The display line counter is a 4-bit counter which is initialized to "0" by the falling edge of the  $\overline{VD}$  signal and which increments when last scanning of each display line is completed (falling edge of the  $\overline{HD}$  signal). It is necessary to be read out display line counter several times, because it does not synchronize CPU clock.

Display line counter register (4 bits) ... DCTR (bit 3 to 0 in ORIRC)

"0000" ... No display line is completed.

"0001" ... 1'st display line is completed.

"0010" ... 2'nd display line is completed.

to

"1111" ... 15'th display line is completed.

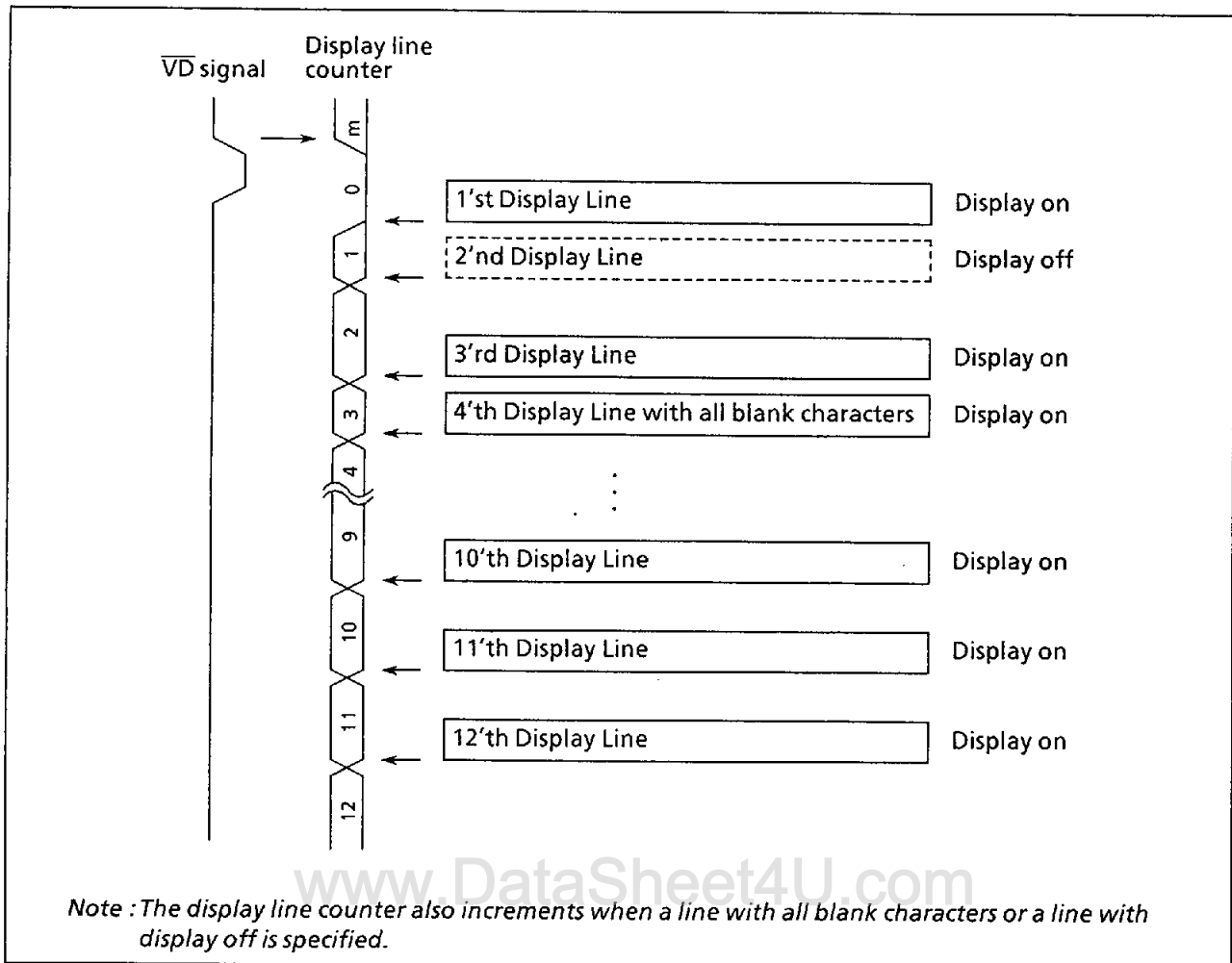


Figure 2-78. Display Line Counter

## 2) Interrupt generator circuit

An interrupt request is generated when a falling edge of  $\overline{VD}$  signal or when line counter (DCTR) is counted to the certain value specified by ISDC.

Interrupt source select register (1 bit) ... SVD (bit4 in ORIRC)

"0" ... Interrupt request generated when the display line counter (DCTR) is counted to the certain value which is specified by ISDC.

"1" ... Interrupt request is generated when a falling edge of  $\overline{VD}$  signal.

Interrupt generation line specification register (4 bits) ... ISDC (bit 3 to 0 in ORIRC)

"0000" ... Interrupt request generated when the display line counter is cleared.

"0001" ... Interrupt request generated at end points of the last scanning line of the first display line

"0010" ... Interrupt request generated at end points of the last scanning line of the 2'nd display line

to

"1111" ... Interrupt request generated at end points of the last scanning line of the 15'th display line

## (15) P6 port output select function

This function is used to select whether the contents of port P67 to P64 will be output or R, G, B, Y/BL signals of the OSD circuit will be output on pins P67 to P64.

P6 port output select registers (4 bits) ... P67DS to P64DS (bit 7 to 4 in ORP6DS)  
 "1" ... R, G, B, Y/BL signal output  
 "0" ... Port contents output

## (16) OSD pin output polarity control function

This function is used to select the polarity of the OSD outputs for RGB and Y/BL.

Output polarity control register (3 bits) ... BLIV, YIV, RGBIV (bit 7 to 5 in ORIRC)

Table 2-17. Control of OSD Output Polarity

Symbol	Output port	Data "0"	Data "1"
BLIV	BL	Active High	Active Low
YIV	Y	Active High	Active Low
RGBIV	RGB	Active High	Active Low

## (17) Y/BL signal select function

This function is used to select either Y or BL signal output from the Y/BL pin.

Y/BL signal select register (1 bit) ... YBLCS (bit 7 in ORETC)  
 "0" ... Y signal output  
 "1" ... BL signal output

Y signal ... Logical OR for R, G, B Character data, and Fringing data.

BL signal ... When EXBL is "0":  
 Output in all display character areas  
 (except for character code 00<sub>H</sub>: blank character)  
 When EXBL is "1":  
 Output in the whole page

## (18) Writing display data to the display memory

Data are written to the display memory using DMA8 to DMA0, CRA6 to CRA0, RDT, GDT, BDT, BLF, RBF, RVF, and MBK registers.

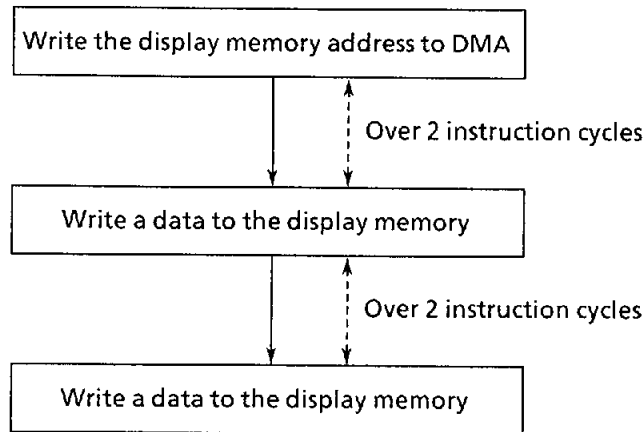
Display memory address specification register (9 bits) ...  
 DMA8 to DMA0 (bit0 in ORETC and ORDMA)

Display memory bank switching register (1 bit) ... MBK (bit1 in ORETC)  
 "0" ... For changing either character code or character ornamentation  
 "1" ... For changing both character code and character ornamentation



**Note 1:** Don't use the 2 bytes transfer operation such as [LDW (HL), mn] when accessing to display memory.

**Note 2:** When writing a data to the display memory immediately after setting the display memory address to DMA, or when continuously writing a data to the display memory, insert over 2 instruction cycles between the instruction for writing a data.



**Example:** Setting a character code (20<sub>H</sub>) to the display memory (Address : 120<sub>H</sub> to 121<sub>H</sub>)

```

LD    HL, ORCRA      ; Set ORCRA address to HL reg.
LD    A, 20H        ; Load character code to A reg.

LD    DE, ORDMA     ; Set lower 8-bit addresses to DMA7 to 0
LD    (DE), 20H
LD    DE, ORETC     ; Set the most upper address to DMA8 and set MBK to "0"
LD    (DE), 0000001B

LD    DE, ORDMA     ; Set lower 8-bit addresses to DMA7 to 0
LD    (DE), 20H
LD    DE, ORETC     ; Set the most upper address to DMA8 and set MBK to "0"
LD    (DE), 0000001B

NOP
NOP                ; Insert 2 instruction cycles

LD    (HL), A       ; Write a character code to display memory (Address : 120H)

NOP
NOP                ; Insert 2 instruction cycles

LD    (HL), A       ; Write a character code to display memory (Address : 121H)
  
```

**Note 3:** Transfer the contents of display memory which affect displaying characters into OSD circuit, before the position of scanning line coincides with their own vertical display start position.

a. Display memory write sequence when writing both character code and character ornamentation.

- ① Write lower 8-bit addresses of display memory to DMA7 to DMA0 (in ORDMA).
- ② Write the most upper addresses of display memory to DMA8 (bit 0 in ORETC) and set MBK (bit 1 in ORETC) to "1".

*Note: It is necessary to write all bits of display memory address, writing DMA8 after DMA7 to DMA0, when writing display address, and repeat this sequence.*

- ③ Write character ornamentation data (blinking, reverse, reverse blinking, and color data) to RDT, GDT, BDT, BLF, RVF, and RBF.  
At this time, the character ornamentation data is transferred to the display memory.

- ④ Write character code to CRA6 to CRA0.  
At this time, character code is transferred to the display memory together with the character ornamentation data which is written in ③ and DMA8 to DMA0 are automatically incremented.

b. Display memory write sequence when writing either character code or character ornamentation

- ① Write lower 8-bit addresses of display memory to DMA7 to DMA0 (in ORDMA).
- ② Write the most upper address of display memory to DMA8 (bit 0 in ORETC) and clear MBK (bit 1 in ORETC) to "0".

*Note: It is necessary to write all bits of display memory address, writing DMA8 after DMA7 to DMA0, when writing display address, and repeat this sequence.*

- ③ Write character ornamentation data (blinking, reverse, reverse blinking, and color data) to RDT, GDT, BDT, BLF, RVF, and RBF or write character code to CRA6 to CRA0.  
At this time, written data are transferred to the display memory and DMA8 to DMA0 are automatically incremented.

## (19) OSD control register write / read

The address of the OSD control registers are assigned to the DBR area.

To write or to read from the OSD control registers, the method is the same as for accessing ordinary DBR registers.

The written data are transferred to the OSD circuit at the end point of the scanning line without display by setting RGWR register to "1" and become valid. And, be able to write value of OSD control register after RGWR flag is cleared to "0".

*Note 1 : Do not write the contents of OSD control registers during RGWR flag is "1". If contents of OSD control registers are written during RGWR flag is "1", the written data are broken.*

*Note 2 : Do not clear RGWR register to "0". If RGWR register is cleared to "0", the contents of OSD control registers may be transferred to OSD circuit at unexpected timing.*

*Note 3 : Insert over 3 instruction cycles between the instruction which sets RGWR register to "1" and the instruction which checks RGWR flag.*

*Note 4 : Transfer the contents of all OSD control registers which affect displaying characters into OSD circuit before the position of scanning line coincides with their own vertical display start position.*

Example 1 : In the case of writing the data into OSD registers, setting RGWR register to "1" and checking RGWR flag

Writing the data into OSD registers

LD A, (TEMP\_ORDON) ; Set bit 2 of work-area to "1"  
SET A.2

LD HL, ORDON ; Set RGWR register to "1" (Request data transfer)  
LD (HL), A

NOP ; Insert 3 instruction cycles  
NOP  
NOP

CHECK\_RGWR\_FLAG:  
TEST (HL).2 ; Check RGWR flag until RGWR flag is "0"  
JR F,CHECK\_RGWR\_FLAG

Example 2 : In the case of checking RGWR flag, writing the data into OSD registers, and writing RGWR register to "1"

```
LD    HL, ORDON
CHECK_RGWR_FLAG:
TEST  (HL).2           ; Checking RGWR flag until RGWR flag is "0"
JR    F,CHECK_RGWR_FLAG
```

Writing the data into OSD registers

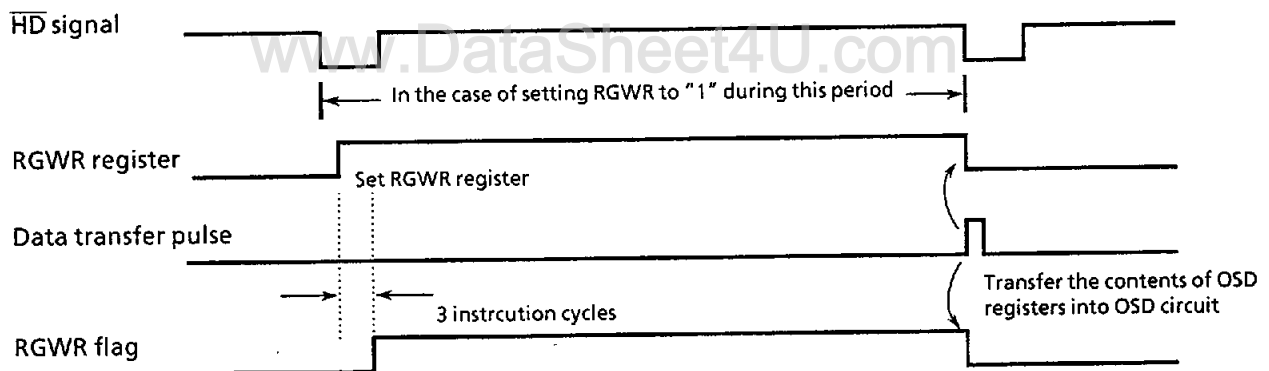
```
LD    A, (TEMP_ORDON) ; Set bit 2 of work-area to "1"
SET   A.2

LD    HL, ORDON       ; Set RGWR register to "1" (Request data transfer)
LD    (HL), A

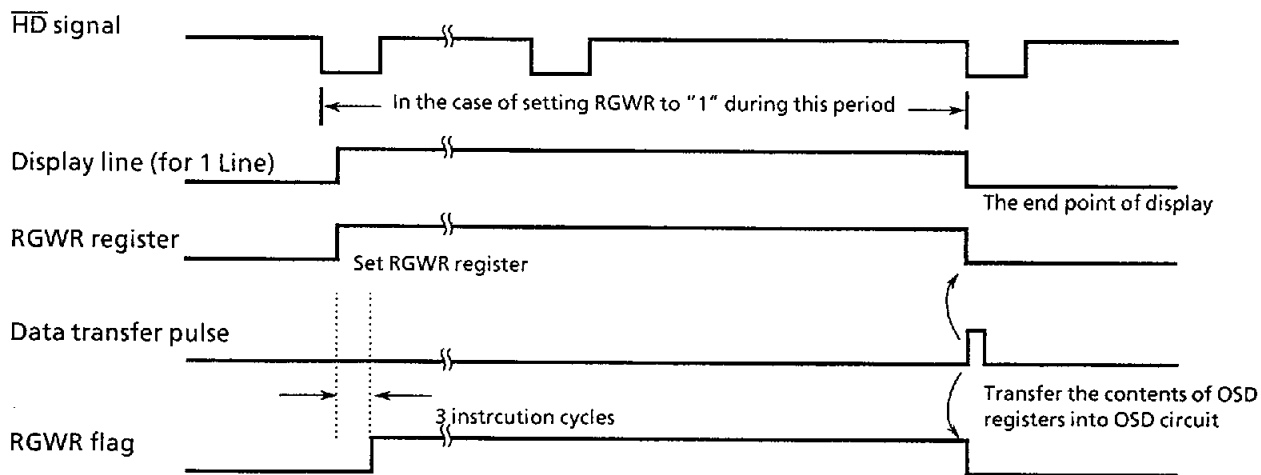
NOP                                     ; Insert 3 instruction cycles
NOP
NOP
```

The timing chart of transferring the contents of OSD registers into OSD circuit is shown as follows;

- In the case of setting RGWR register to "1" during the position of the scanning line is in no display area (except any lines specified as display off by CSn).  
The contents of OSD registers are transferred into OSD circuit when the position of the scanning line is at the falling edge of  $\overline{HD}$  signal.



2. In the case of setting RGWR register to "1" during the position of the scanning line is in display area (including any lines specified as display off by CSn).  
The contents of OSD registers are transferred into OSD circuit when the position of the scanning line is at the falling edge of  $\overline{HD}$  signal of finishing the display line.



For registers (DMA8 to DMA0, CRA6 to CAR0, RDT, GDT, BDT, BLF, RBF, RVF, MBK) used for updating the display memory, P67DS to P64DS, YBLCS, BKMF, RBMF, ESMZ, VDSMD, FORS, and RGWR, the data become valid as soon as they are written.

Written data transfer register (1 bit) ... RGWR (bit 2 in ORDON)

"0" ... Initial state

"1" ... Transfer written data to OSD circuit. (After transfer, RGWR register and RGWR flag are automatically cleared to "0".)

Written data transfer monitor flag (1 bit) ... RGWR (bit 2 in ORDON)

"0" ... Transfer completed.

"1" ... During transfer

## (20) Display on / off

This function is used to display characters specified for on / off display.

Display on / off specification unit : Display page

Display on / off specification register (1 bit) ... EDISP (bit 0 in ORDON)

"0" ... Disable display

"1" ... Enable display

**Note:** Do not start STOP mode during display is enabled.

## (21) Window function

This function is used to set upper and lower limit of display page. Window upper limit is specified by WVSH (ORWVSH). Window lower limit is specified by WVSL (ORWVSL). This function is enabled by setting EWDW (bit 1 in ORDON) in the OSD control register to "1".

Window specification unit: Display page

Window function enable specification register (1 bit) ... EWDW (bit 1 in ORDON)

"0" ... Disable window function

"1" ... Enable window function

Window upper limit specification register (8 bits) ... WVSH7 to 0 (ORWVSH)

Window lower limit specification register (8 bits) ... WVSL7 to 0 (ORWVSL)

Window upper and lower limit position ...

When VDSMD is "0" (Normal mode) :

$$WVSH = (WVSH7 \text{ to } WVSH0)_{\text{H}} \times 2T_{\text{HD}}$$

$$WVSL = (WVSL7 \text{ to } WVSL0)_{\text{H}} \times 2T_{\text{HD}}$$

When VDSMD is "1" (Double scan mode) :

$$WVSH = (WVSH7 \text{ to } WVSH0)_{\text{H}} \times 4T_{\text{HD}}$$

$$WVSL = (WVSL7 \text{ to } WVSL0)_{\text{H}} \times 4T_{\text{HD}}$$

**Note 1 :**  $T_{\text{HD}}$ ; One cycle of  $\overline{\text{HD}}$  signal

**Note 2 :**  $WVSL > WVSH \geq "1"$

**Note 3 :** Modify the value of window upper and lower limit register as follows:

1. When  $WVSH_{\text{NEW}} \leq WVSH_{\text{OLD}}$

Set the new value, during  $\overline{\text{VD}}$  signal is low or before the position of the scanning line coincides with  $WVSH_{\text{NEW}}$ .

2. When  $WVSL > WVSH_{\text{NEW}} > WVSH_{\text{OLD}}$

Set the new value, during  $\overline{\text{VD}}$  signal is low or before the position of the scanning line coincides with  $WVSH_{\text{OLD}}$ .

3. When  $WVSL_{\text{NEW}} \leq WVSL_{\text{OLD}}$

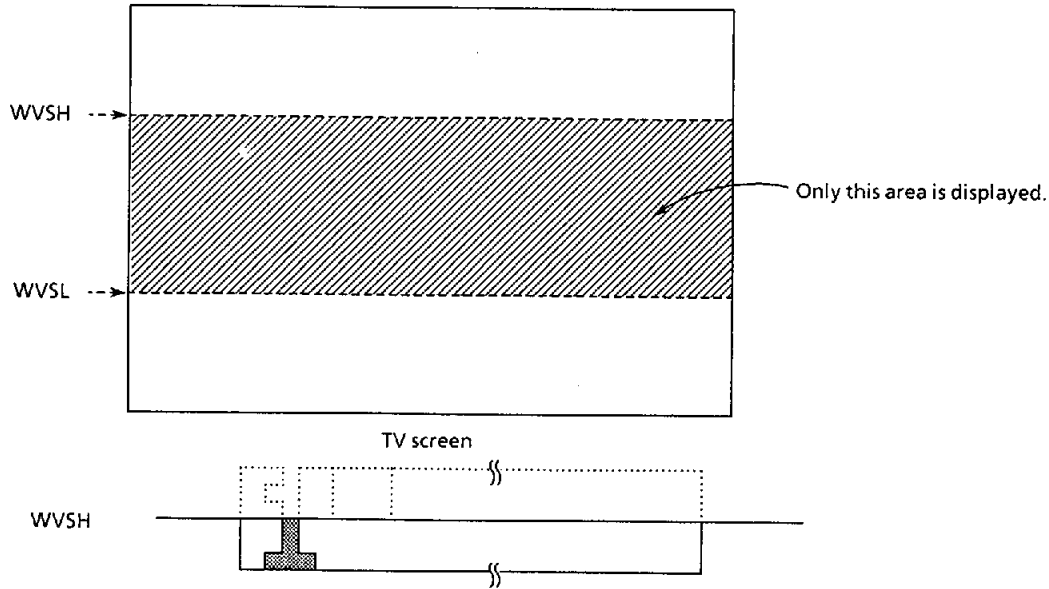
Set the new value, during  $\overline{\text{VD}}$  signal is low or before the position of the scanning line coincides with  $WVSL_{\text{NEW}}$ .

4. When  $WVSL_{\text{NEW}} > WVSL_{\text{OLD}}$

Set the new value, during  $\overline{\text{VD}}$  signal is low or before the position of the scanning line coincides with  $WVSL_{\text{OLD}}$ .

**Note 4 :** It is recommendable that the window function is always enabled ( $EWDW = "1"$ ) and set  $WVSH$  to "01<sub>H</sub>",  $WVSL$  to "FE<sub>H</sub>". When the window function should be set to disable, clear  $EWDW$  to "0" independent of the value which this register has been set from detecting the rising edge of  $\overline{\text{HD}}$  signal by software until the falling edge of  $\overline{\text{HD}}$  signal.

9097249 0036657 T87



**(22) OSD Control Registers**

Can not access all OSD control registers in any of read-modify-write instructions such as bit operation, etc.

ORHS1 (0F80 <sub>H</sub> )	7	6	5	4	3	2	1	0	"0" HS16 HS15 HS14 HS13 HS12 HS11 HS10 (Initial value *000 0000)
	HS16 to 10							Horizontal display start position	
ORVS1 (0F81 <sub>H</sub> )	7	6	5	4	3	2	1	0	VS17 VS16 VS15 VS14 VS13 VS12 VS11 VS10 (Initial value 0000 0000)
	VSn7 to 0							Vertical display start position for line n	
ORVS12 (0F8C <sub>H</sub> )	7	6	5	4	3	2	1	0	VS127 VS126 VS125 VS124 VS123 VS122 VS121 VS120 (Initial value 0000 0000)
									(n = 1 to 12)

- Note 1 :** If display lines are overlapped each other, previous display line is enabled and next line is disabled. Set the vertical display start position not to overlap display lines.
- Note 2 :** Transfer the contents of vertical display start position registers into OSD circuit before a position of the scanning line coincides with their own vertical display start position.

ORCS4 (0F8D <sub>H</sub> )	7	6	5	4	3	2	1	0	CS4 CS3 CS2 CS1 (Initial value 0000 0000)
	CSn							Character size and display on/off for line n	
ORCS8 (0F8E <sub>H</sub> )	7	6	5	4	3	2	1	0	CS8 CS7 CS6 CS5 (Initial value 0000 0000)
ORCS12 (0F8F <sub>H</sub> )	7	6	5	4	3	2	1	0	CS12 CS11 CS10 CS9 (Initial value 0000 0000)
									(n = 1 to 12)

**OREFR** (0F90<sub>H</sub>)

7	6	5	4	3	2	1	0
EFR8	EFR7	EFR6	EFR5	EFR4	EFR3	EFR2	EFR1

 (Initial value 0000 0000)

EFRn	Fringing enable specification register	0 : Disable fringing 1 : Enable fringing	Write only
------	--	---	------------

(n = 1 to 8)

*Note : When a display line is enabled fringing function, its vertical size is increased by one dot (by two dots when its character size is small) independent of its character font. Therefore, when a vertical display start position is specified to no space between the lines, the display line which is overlapped with increasing dot(s) is canceled.*

**ORP6DS** (0F91<sub>H</sub>)

7	6	5	4	3	2	1	0
P67DS	P66DS	P65DS	P64DS	EFR12	EFR11	EFR10	EFR9

 (Initial value 0000 0000)

P67DS to P64DS	P6 port output select	0 : Port contents output 1 : R, G, B, Y/BL signal output	Write only
EFRm	Fringing enable specification register	0 : Disable fringing 1 : Enable fringing	

(m = 9 to 12)

*Note : When a display line is enabled fringing function, its vertical size is increased by one dot (by two dots when its character size is small) independent of its character font. Therefore, when a vertical display start position is specified to no space between the lines, the display line which is overlapped with increasing dot(s) is canceled.*

**ORWVSH** (0F92<sub>H</sub>)

7	6	5	4	3	2	1	0
WVSH7	WVSH6	WVSH5	WVSH4	WVSH3	WVSH2	WVSH1	WVSH0

 (Initial value 0000 0000)

WVSH7 to 0	Window upper limit position (WVSL > WVSH ≥ 1)	Write only
------------	---	------------

**ORWVSL** (0F93<sub>H</sub>)

7	6	5	4	3	2	1	0
WVSL7	WVSL6	WVSL5	WVSL4	WVSL3	WVSL2	WVSL1	WVSL0

 (Initial value 0000 0000)

WVSL7 to 0	Window lower limit position (WVSL > WVSH ≥ 1)	Write only
------------	---	------------

**ORBK** (0F94<sub>H</sub>)

7	6	5	4	3	2	1	0
EBKGD	EXBL	RBBDT	GBDT	BBDT	RFDT	GFDT	BFDT

 (Initial value 0000 0000)

EBKGD	Background function enable specification register	0 : Disable background 1 : Enable background	Write only
EXBL	Full-raster blanking enable specification register	0 : Disable full-raster blanking 1 : Enable full-raster blanking	
RBBDT / GBDT / BBDT	Background color select	000 : Black 001 : Blue 010 : Green 011 : Cyan 100 : Red 101 : Magenta 110 : Yellow 111 : White	
RFDT / GFDT / BFDT	Fringing color select	000 : Black 001 : Blue 010 : Green 011 : Cyan 100 : Red 101 : Magenta 110 : Yellow 111 : White	

*Note : When the background color function is used, the blank character (code 00<sub>H</sub>) can not be used as the first character on the fringing line.*



		7	6	5	4	3	2	1	0		
ORIRC (0F95 <sub>H</sub> )	BLIV	YIV	RGBIV	SVD	ISDC					(Initial value 0000 0000)	
	BLIV	BL output polarity select		0: Active high 1: Active low		Write only					
	YIV	Y output polarity select		0: Active high 1: Active low							
	RGBIV	R, G, B output polarity select		0: Active high 1: Active low							
	SVD	Interrupt source select		0: Interrupt request by ISDC value 1: Interrupt request at falling edge of VD signal							
ISDC	Interrupt generation line select										

		7	6	5	4	3	2	1	0		
ORIRC (0F95 <sub>H</sub> )	DCTR									(Initial value **** 0000)	
	DCTR	Display line counter							Read only		

Note : The display line counter also increments when a line with all blank data or a line with display off is specified.

		7	6	5	4	3	2	1	0		
ORETC (0F96 <sub>H</sub> )	YBLCS	BKMF	RBMF	ESMZ	VDSMD	"0"	MBK	DMA8	(Initial value 0000 0000)		
	YBLCS	Y/BL signal select		0: Y signal output 1: BL signal output		Write only					
	BKMF	Blinking master enable specification register		0: Disable blinking 1: Enable blinking							
	RBMF	Reverse blinking master enable specification register		0: Disable reverse blinking 1: Enable reverse blinking							
	ESMZ	Smoothing enable specification register		0: Disable smoothing 1: Enable Smoothing							
	VDSMD	Double scan mode select		0: Normal mode 1: Double scan mode							
	MBK	Display memory bank switching		0: Access to either character code or character display options 1: Access to Both character code and character display options							
	DMA8	Display memory address (bit 8)									

Note 1 : Clear "0" to bit 2 in ORETC.

Note 2 : It is necessary to write all bits of display memory address, writing DMA8 after DMA7 to DMA0, when writing display address, and repeat this sequence.

		7	6	5	4	3	2	1	0		
ORDMA (0F97 <sub>H</sub> )	DMA7	DMA6	DMA5	DMA4	DMA3	DMA2	DMA1	DMA0	(Initial value 0000 0000)		
	DMA7 to 0	Display memory address							Write only		

Note : It is necessary to write all bits of display memory address, writing DMA8 after DMA7 to DMA0, when writing display address, and repeat this sequence.

		7	6	5	4	3	2	1	0		
ORDSN (0F98 <sub>H</sub> )				RBF	RVF	BLF	RDT	GDT	BDT	(Initial value *****)	
	RBF	Reverse blinking enable specification register							0 : Disable reverse blinking 1 : Enable reverse blinking		Write only
	RVF	Reverse enable specification register							0 : Disable reverse 1 : Enable reverse		
	BLF	Blinking enable specification register							0 : Disable blinking 1 : Enable blinking		
RDT/ GDT/ BDT	Character color select							000 : Black 001 : Blue 010 : Green 011 : Cyan 100 : Red 101 : Magenta 110 : Yellow 111 : White			

		7	6	5	4	3	2	1	0		
ORCRA (0F99 <sub>H</sub> )			CRA6	CRA5	CRA4	CRA3	CRA2	CRA1	CRA0	(Initial value *****)	
	CRA6 to 0	Character code							Write only		

		7	6	5	4	3	2	1	0		
ORDON (0F9A <sub>H</sub> )		"0"	"0"	"0"	FORS	"1"	RGWR	EWDW	EDISP	(Initial value ***0 0000)	
	FORS	fosc frequency select							0 : Normal frequency mode 1 : Double frequency mode		Write only
	RGWR	Written data transfer request register							0 : (Initial state) 1 : Transfer written data to OSD circuit. (After transfer, RGWR is cleared to "0".)		
	EWDW	Window function enable specification register							0 : Disable window function 1 : Enable window function		
EDISP	Display on/off specification register							0 : Disable Display 1 : Enable Display			

Note1 : \* ; don't care

Note2 : The data written to OSD control registers except the register followed table is transmitted to OSD circuit by setting RGWR (bit2 in ORDON) to "1". RGWR is cleared to "0" automatically after the transfer is completed.

P67DS, P66DS, P65DS, P64DS	bits 7 to 4 in ORP6DS
YBLC5, BKMF, RBMF, ESMZ, VDSMD, MBK, DMA8	bits 7 to 3, 1 to 0 in ORETC
DMA7, DMA6, DMA5, DMA4, DMA3, DMA2, DMA1, DMA0	bits 7 to 0 in ORDMA
RBF, RVF, BLF, RDT, GDT, BDT	bits 5 to 0 in ORDSN
CRA6, CRA5, CRA4, CRA3, CRA2, CRA1, CRA0	bits 6 to 0 in ORCRA
FORS, RGWR	bits 4 and 2 in ORDON

Note3 : When EWDW is cleared to "0", clear EWDW to "0" independent of the value which this register has been set from detecting the rising edge of HD signal by software until the falling edge of HD signal.

Note4 : Write "1" to bit 3 of ORDON when writing to ORDON.

Note5 : Do not clear RGWR register to "0". If RGWR register is cleared to "0", the contents of OSD control registers may be transferred to OSD circuit at unexpected timing.

		7	6	5	4	3	2	1	0		
ORDON (0F9A <sub>H</sub> )					FORS		RGWR	EWDW	EDISP	(Initial value ***0 *000)	
	FORS	fosc frequency select status							0 : Normal frequency mode 1 : Double frequency mode		Read only
	RGWR	Written data transfer monitor flag							0 : Transfer completed 1 : During transfer		
	EWDW	Window function enable specification status							0 : Disable window function 1 : Enable window function		
EDISP	Display on/off specification status							0 : Disable display 1 : Enable display			

## INPUT / OUTPUT CIRCUITRY

## (1) Control pins

The input / output circuitries of the 87CH37/K37/M37 control pins are shown below.

CONTROL PIN	I/O	INPUT/OUTPUT CIRCUITRY	REMARKS
XIN XOUT	Input Output		Resonator connecting pins (high-frequency)  $R_f = 1.2 \text{ M}\Omega$ (typ.) $R_o = 1.5 \text{ k}\Omega$ (typ.)
XTIN XTOUT	Input Output	NM1 Refer to P2 port NM2 	Resonator connecting pins (low-frequency)  $R_f = 6 \text{ M}\Omega$ (typ.) $R_o = 220 \text{ k}\Omega$ (typ.)
$\overline{\text{RESET}}$	I/O		Sink open drain output Hysteresis input Pull-up resistor $R_{IN} = 220 \text{ k}\Omega$ (typ.)  $R = 1 \text{ k}\Omega$ (typ.)
$\overline{\text{STOP/INT5}}$	Input		Hysteresis input  $R = 1 \text{ k}\Omega$ (typ.)
TEST	Input		Pull-down resistor $R_{IN} = 70 \text{ k}\Omega$ (typ.)  $R = 1 \text{ k}\Omega$ (typ.)
OSC1 OSC2	Input Output		Osc. connecting pin for on- screen display  $R_f = 1.2 \text{ M}\Omega$ (typ.) $R_o = 1.5 \text{ k}\Omega$ (typ.)

## (2) Input / Output Ports

The input / output circuitries of the 87CH37/K37/M37 I/O ports are shown below.

PORT	I/O	INPUT/OUTPUT CIRCUITRY	REMARKS
P0	I/O	<p>initial "Hi-Z"</p>	<p>Tri-state I/O</p> <p>R = 1 kΩ (typ.)</p>
P1	I/O	<p>initial "Hi-Z"</p>	<p>Tri-state I/O</p> <p>Hysteresis input</p> <p>R = 1 kΩ (typ.)</p>
P2	I/O	<p>initial "Hi-Z"</p>	<p>Sink open drain output</p> <p>R = 1 kΩ (typ.)</p>
P3 P7	I/O	<p>initial "Hi-Z"</p>	<p>Sink open drain output</p> <p>Hysteresis input</p> <p>R = 1 kΩ (typ.)</p>
P4 P64 to P67	I/O	<p>initial "Hi-Z"</p>	<p>Tri-state I/O</p> <p>R = 1 kΩ (typ.)</p>
P5	I/O	<p>initial "Hi-Z"</p>	<p>Sink open drain output</p> <p>R = 1 kΩ (typ.)</p>
P60 to P63	I/O	<p>initial "Hi-Z"</p>	<p>Sink open drain output</p> <p>High current output</p> <p><math>I_{OL} = 20 \text{ mA (typ.)}</math></p> <p>R = 1 kΩ (typ.)</p>

## ELECTRICAL CHARACTERISTICS

## ABSOLUTE MAXIMUM RATINGS

(V<sub>SS</sub> = 0 V)

PARAMETER	SYMBOL	PINS	RATINGS	UNIT
Supply Voltage	V <sub>DD</sub>		- 0.3 to 6.5	V
Input Voltage	V <sub>IN</sub>		- 0.3 to V <sub>DD</sub> + 0.3	V
Output Voltage	V <sub>OUT1</sub>		- 0.3 to V <sub>DD</sub> + 0.3	V
Output Current (Per 1 pin)	I <sub>OUT1</sub>	Ports P0, P1, P2, P3, P4, P5, P64 to P67, P7	3.2	mA
	I <sub>OUT2</sub>	Ports P60 to P63	30	
Output Current (Total)	Σ I <sub>OUT1</sub>	Ports P0, P1, P2, P3, P4, P5, P64 to P67, P7	120	mA
	Σ I <sub>OUT2</sub>	Ports P60 to P63	120	
Power Dissipation [T <sub>opr</sub> = 70 °C]	PD		600	mW
Soldering Temperature (time)	T <sub>sld</sub>		260 (10 s)	°C
Storage Temperature	T <sub>stg</sub>		- 55 to 125	°C
Operating Temperature	T <sub>opr</sub>		- 30 to 70	°C

## RECOMMENDED OPERATING CONDITIONS

(V<sub>SS</sub> = 0 V, T<sub>opr</sub> = - 30 to 70 °C)

PARAMETER	SYMBOL	PINS	CONDITIONS	Min.	Max.	UNIT
Supply Voltage	V <sub>DD</sub>		fc = 8 MHz	NORMAL 1, 2 mode	4.5	V
			fs = 32.768 kHz	SLOW mode	2.7	
				SLEEP mode		
		STOP mode	2.0			
Input High Voltage	V <sub>IH1</sub>	Except hysteresis input	V <sub>DD</sub> ≥ 4.5 V	V <sub>DD</sub> × 0.70	V <sub>DD</sub>	V
	V <sub>IH2</sub>	Hysteresis input		V <sub>DD</sub> × 0.75		
	V <sub>IH3</sub>		V <sub>DD</sub> < 4.5 V	V <sub>DD</sub> × 0.90		
Input Low Voltage	V <sub>IL1</sub>	Except hysteresis input	V <sub>DD</sub> ≥ 4.5 V	0	V <sub>DD</sub> × 0.30	V
	V <sub>IL2</sub>	Hysteresis input		V <sub>DD</sub> × 0.25		
	V <sub>IL3</sub>		V <sub>DD</sub> < 4.5 V	V <sub>DD</sub> × 0.10		
Clock Frequency	fc	XIN, XOUT	V <sub>DD</sub> = 4.5 to 5.5 V	4.0	8.0	MHz
	f <sub>OSC</sub>	OSC1, OSC2	Normal frequency mode (FORS = 0, V <sub>DD</sub> = 4.5 to 5.5 V)	4.0	f <sub>OSC</sub> ≤ fc × 1.2 ≤ 8.0	
			Double frequency mode (FORS = 1, V <sub>DD</sub> = 4.5 to 5.5 V)	2.0	f <sub>OSC</sub> ≤ fc × 0.6 ≤ 4.0	
	fs	XTIN, XTOUT		30.0	34.0	kHz

Note 1 : Clock frequency fc ; The condition of supply voltage is the value in NORMAL 1/2 and IDLE 1/2 mode.

Note 2 : When the OSD circuit is used, the supply voltage must be from 4.5 V to 5.5 V.

## D.C. CHARACTERISTICS

(V<sub>SS</sub> = 0 V, T<sub>opr</sub> = -30 to 70 °C)

PARAMETER	SYMBOL	PINS	CONDITIONS	Min.	Typ.	Max.	UNIT
Hysteresis Voltage	V <sub>HS</sub>	Hysteresis inputs		-	0.9	-	V
Input Current	I <sub>IN1</sub>	TEST	V <sub>DD</sub> = 5.5 V, V <sub>IN</sub> = 5.5 V / 0 V	-	-	± 2	μA
	I <sub>IN2</sub>	Open drain ports	V <sub>DD</sub> = 5.5 V, V <sub>IN</sub> = 5.5 V	-	-	2	
	I <sub>IN3</sub>	Tri-state ports	V <sub>DD</sub> = 5.5 V, V <sub>IN</sub> = 5.5 V / 0 V	-	-	± 2	
	I <sub>IN4</sub>	RESET, STOP					
Input Resistance	R <sub>IN2</sub>	RESET		100	220	450	kΩ
Output Leakage Current	I <sub>LO1</sub>	Sink open drain ports	V <sub>DD</sub> = 5.5 V, V <sub>OUT</sub> = 5.5 V	-	-	2	μA
	I <sub>LO2</sub>	Tri-state ports	V <sub>DD</sub> = 5.5 V, V <sub>OUT</sub> = 5.5 V / 0 V	-	-	± 2	
Output High Voltage	V <sub>OH2</sub>	Tri-state ports	V <sub>DD</sub> = 4.5 V, I <sub>OH</sub> = -0.7 mA	4.1	-	-	V
Output Low Voltage	V <sub>OL</sub>	Except XOUT and ports P63 to P60	V <sub>DD</sub> = 4.5 V, I <sub>OL</sub> = 1.6 mA	-	-	0.4	V
Output Low current	I <sub>OL3</sub>	Ports P63 to P60	V <sub>DD</sub> = 4.5 V, V <sub>OL</sub> = 1.0 V	-	20	-	mA
Supply Current in NORMAL 1, 2 modes	I <sub>DD</sub>		V <sub>DD</sub> = 5.5 V f <sub>c</sub> = 8 MHz	-	10	16	mA
Supply Current in IDLE 1, 2 modes			f <sub>s</sub> = 32.768 kHz V <sub>IN</sub> = 5.3 V / 0.2 V	-	6	8	
Supply Current in SLOW mode			V <sub>DD</sub> = 3.0 V f <sub>s</sub> = 32.768 kHz	-	30	60	μA
Supply Current in SLEEP mode			V <sub>IN</sub> = 2.8 V / 0.2 V	-	15	30	
Supply Current in STOP mode			V <sub>DD</sub> = 5.5 V V <sub>IN</sub> = 5.3 V / 0.2 V	-	0.5	10	μA

Note 1 : Typical values show those at T<sub>opr</sub> = 25 °C, V<sub>DD</sub> = 5 V.

Note 2 : Input Current I<sub>IN1</sub>, I<sub>IN4</sub>; The current through pull-up or pull-down resistor is not included.

Note 3 : Typical current consumption during A/D conversion is 1.2 mA.

## A/D CONVERSION CHARACTERISTICS

(V<sub>SS</sub> = 0 V, V<sub>DD</sub> = 4.5 to 5.5 V, T<sub>opr</sub> = -30 to 70 °C)

PARAMETER	SYMBOL	PINS	CONDITIONS	Min.	Typ.	Max.	UNIT
Analog Input Voltage Range	V <sub>AIN</sub>	CIN3 to CIN0		V <sub>SS</sub>	-	V <sub>DD</sub>	V
Conversion Error	-		V <sub>DD</sub> = 5.0 V	-	-	± 1.5	LSB

## A.C. CHARACTERISTICS

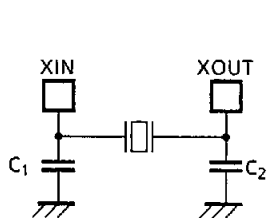
 $(V_{SS} = 0\text{ V}, V_{DD} = 4.5\text{ to }5.5\text{ V}, T_{opr} = -30\text{ to }70\text{ }^{\circ}\text{C})$ 

PARAMETER	SYMBOL	CONDITIONS	Min.	Typ.	Max.	UNIT
Machine Cycle Time	$t_{cy}$	In NORMAL1, 2 modes	0.5	-	1.0	$\mu\text{s}$
		In IDLE1, 2 modes				
		In SLOW mode	117.6	-	133.3	
		In SLEEP mode				
High-Level Clock Pulse Width	$t_{WCH}$	For external clock operation (XIN input), $f_c = 8\text{ MHz}$	62.5	-	-	ns
Low-Level Clock Pulse Width	$t_{WCL}$					
High-Level Clock Pulse Width	$t_{WSH}$	For external clock operation (XTIN input), $f_s = 32.768\text{ kHz}$	14.7	-	-	$\mu\text{s}$
Low-Level Clock Pulse Width	$t_{WSL}$					

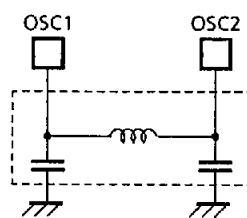
## RECOMMENDED OSCILLATING CONDITIONS

 $(V_{SS} = 0\text{ V}, V_{DD} = 4.5\text{ to }5.5\text{ V}, T_{opr} = -30\text{ to }70\text{ }^{\circ}\text{C})$ 

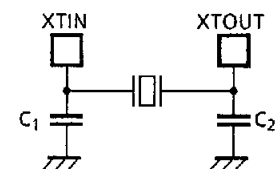
PARAMETER	Oscillator	Oscillation Frequency	Recommended Oscillator	Recommended Constant	
				$C_1$	$C_2$
High-frequency Oscillation	Ceramic Resonator	8 MHz	KYOCERA KBR8.0M	30 pF	30 pF
		4 MHz	KYOCERA KBR4.0MS MURATA CSA4.00MG		
	Crystal Oscillator	8 MHz	TOYOCOM 210B 8.0000	20 pF	20 pF
		4 MHz	TOYOCOM 204B 4.0000		
OSD	LC Resonator	8 MHz	TOKO A285TNIS-11695	-	-
		7 MHz	TOKO TBEKSE5-30375FBY		
Low-frequency Oscillation	Crystal Oscillator	32.768 kHz	NDK MX-38T	15 pF	15 pF



(1) High-frequency Oscillation



(2) LC Resonator for OSD



(3) Low-frequency Oscillation

**Note :** To keep reliable operation, shield the device electrically with the metal plate on its package mold surface against the high electric field, to example, by CRT (Cathode Ray Tube).