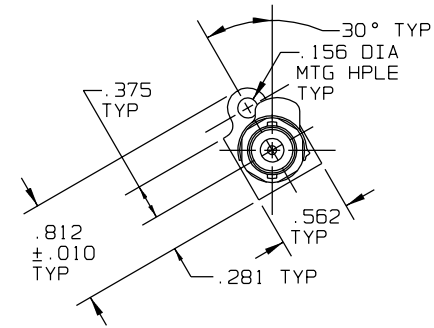
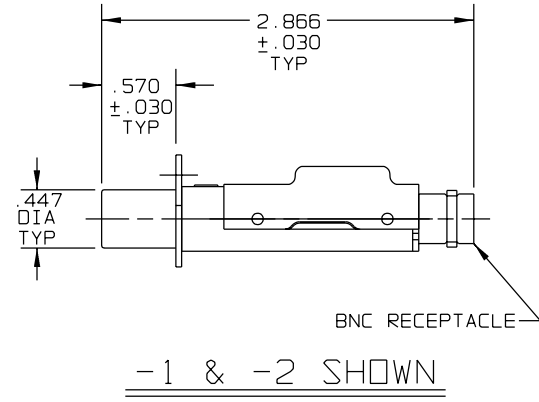


DATA CONTAINED IN THIS DOCUMENT IS PROPRIETARY TO TROMPETER ELECTRONICS, INC. AND SHALL NOT BE DISCLOSED, COPIED OR REPRODUCED IN ANY MANNER WITHOUT THE EXPRESS WRITTEN PERMISSION OF TROMPETER ELECTRONICS, INC.

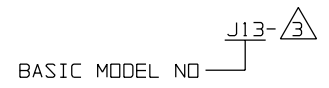
REVISONS		1-0124	SH 1
REV	DESCRIPTION	DATE	APPROVED
V	REVISED PER ECD 14114		

DASH NO	MODEL NO	ACCEPTS PIN DIA	RECEPTACLE TYPE
-1	J13- $\frac{3}{\Delta}$.070 (RCA)	BNC
-2	J13W- $\frac{3}{\Delta}$.090 (W.E.CO.)	
-3	J13H- $\frac{3}{\Delta}$.070 (RCA)	TNC
-4	J13WH- $\frac{3}{\Delta}$.090 (W.E.CO.)	

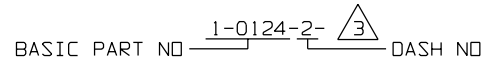


INCH	MM
.005	0.13
.010	0.25
.030	0.76
.070	1.78
.090	2.29
.156	3.96
.281	7.14
.375	9.52
.447	11.35
.562	14.27
.570	14.48
.812	20.62
2.866	72.80

6. EXAMPLE OF COMPLETE MODEL NO:



5. EXAMPLE OF COMPLETE PART NO:

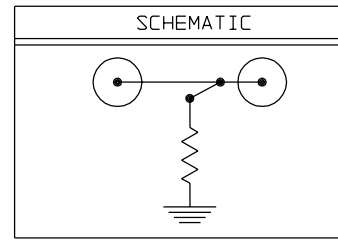


4. 50 & 75 OHM SELF-TERMINATING COAXIAL PATCH JACK WITH BNC OR TNC RECEPTACLE

$\frac{3}{\Delta}$ RESISTANCE VALUE IN OHMS (1/2 W, 1%)

2. FINISH: TFS-1A (NICKEL)

1. ALL DIM ARE IN INCHES



INTERPRET DRAWING PER MIL-STD-100 DIMENSIONS ARE IN INCHES AND INCLUDE FINISH THICKNESS UNLESS OTHERWISE SPECIFIED		TOL.: UNLESS SPECIFIED .XX .XXX 005 .XXXX ANGLES 5°	
DRAWN AAH	DATE 6-19-01	MATERIAL:	TITLE: J13/J13W/J13H/J13WH
CHECKED		FINISH:	SIZE CAGE CODE DRAWING NO. REV. B 14949 1-0124 V
APPROVED		CAD FILE NO. 1-0124V1	SCALE DATE: SHEET 1/1 10/19/67 1C
155-0573		NEXT ASSY	DD NOT SCALE DWG

