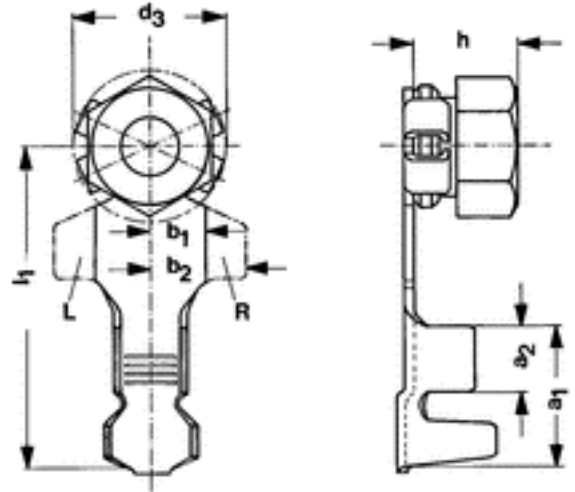




Characteristics and dimensions of terminals

Part number	26741.122.179
Specification	Claw terminal for M6 screw connection
Material	CuZn
Surface / Colour	frSn 3
Form	Chain form
Transport	Normal transverse transport
Assembly	X
Packing unit / piece	2700
Section area (mm ²)	6.00-10.00
Nominal size	M6-10
Material thickness (mm)	1.00
Footnote	Without keying
a ₁	12.00
a ₂	5.50
b ₁	4.50
d ₃	12.50
h	8.50
l ₁	27.00



Note: The drawing only gives an overview of the geometry of the part. The crimp area is shown as supplied in strip form. A technical drawing is available on request.

Part list		
Specification	Material	Surface / Colour
Hexagonal screw M6	SMnPb	Cu 4 Sn 11
Claw terminal	CuZn	frSn 3

[Contents of your inquiry](#)

Packing Units (per 2700 pieces)

CW