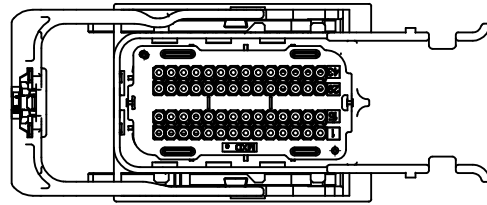
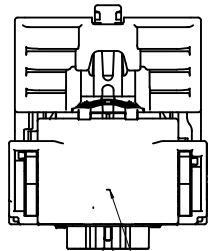


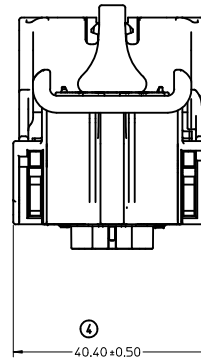
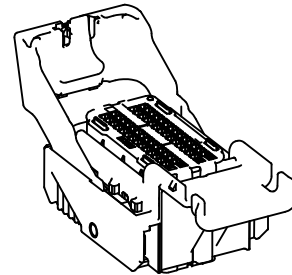
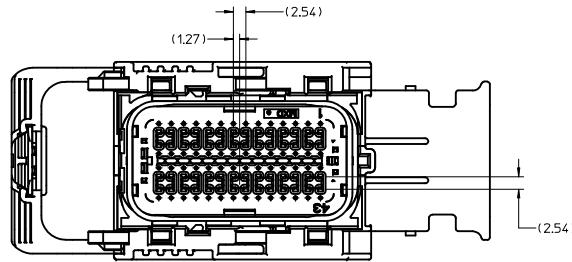
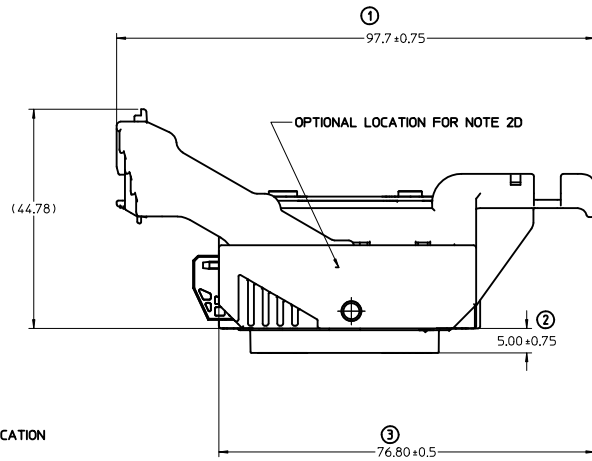
49 CKT
SCALE 1.5:1



56 CKT
SCALE 1.5:1



RECOMMENDED LOCATION FOR NOTE 2D



BALLOONS ADDED ① ② ③ ④

NOTES: UNLESS OTHERWISE SPECIFIED

1. MATERIAL:

- A. RESIN: SEE COMPONENT DRAWINGS
- B. COLOR: SEE TABLE

2. DESIGN - GENERAL:

- A. THIS IS A 100% CAD GENERATED PART. THE CAD MATHEMATICAL DATA IS THE MASTER FOR THIS PART. FOR DIMENSIONAL OR ANY INFORMATION NOT SHOWN ON THIS DRAWING, ANALYZE THE CAD MODEL.
- B. TOLERANCES:
 - a. LINEAR: XX ± 0.30, XXX ± 0.10, XXXX ± 0.10
 - b. ANGULAR: X° ± 3.0°
- C. CORNERS SHOWN AS SHARP TO BE R 0.2 MAX.
- D. FOLLOWING PRODUCTION CODES TO BE PERMANENTLY MARKED & HUMAN READABLE TO A LETTER HEIGHT < 3mm.
 - LINE #1: MATERIAL #: XXXXX-XXXX
 - LINE #2: DATE CODE: JJY (JULIAN DAY, LAST DIGIT OF YEAR)
 - LINE #3: INSPECTION MACHINE CODE + SERIAL #: X_XXXXX
- E-1. PARTS MUST BE FREE OF DISCOLORATION, SALT RESIDUE AND OTHER IMPERFECTIONS THAT AFFECT FIT OR FUNCTION.
- E-2. SCRATCHES OR DENTS NOT TO EXCEED 0.13mm IN DEPTH.
- F. CHANGES IN DESIGN FROM PART PREVIOUSLY APPROVED REQUIRES PRIOR ENGINEERING APPROVAL. THIS INCLUDES BUT IS NOT LIMITED TO DRAFT, MATERIAL OR PROCESSING.
- G. SHALL CONFORM TO THE FOLLOWING PACKAGING SPECIFICATION: PK-31300-019

3. DESIGN - MANUFACTURING:

- A. DRAFT TO BE WITHIN TOLERANCE.
- B. ALLOWABLE FLASH 0.2 MAX HIGH X 0.13 MAX THICK.
- C. ALLOWABLE PARTING LINE MISMATCH 0.2 MAX.
- D. EJECTOR PINS MARK TO BE FLUSH TO 0.25 MAX DEPRESSED.
- E. ALLOWABLE GATE VESTIGE TO BE FLUSH TO 0.25 MAX PROTRUSION.

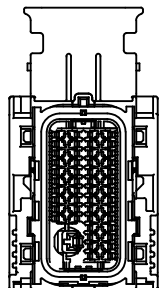
4. SYSTEM REQUIREMENTS:

- WHEN TESTED TO SAE/USCAR-2 REV: 3, APRIL 2001, AND GMW #3191, AUGUST 22, 2000 (DRAFT).
- A. TPA (WITHOUT TERMINALS)
 - a. INSERTION FORCE FROM PRE-SET TO LOCK: >20
 - b. REMOVAL FORCE FROM PRE-SET: >20
 - B. CPA
 - a. INSERTION FORCE FROM PRE-SET TO LOCK WITH CONNECTOR UN-MATED: >60N
 - b. REMOVAL FORCE FROM PRE-SET: >30N
 - C. GROMMET CAP
 - a. REMOVAL FORCE FROM HOUSING WITH ENGAGED LATCHES: >110N
 - D. MATE ASSIST LEVER
 - a. INADVERTENT ACTUATION FORCE DURING SHIPPING, HANDLING OR PRE-ASSEMBLY: >190N

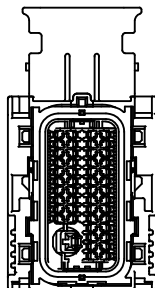
REV	DESCRIPTION
F13	NEW PIN CONFIGURATION
F12	NEW PIN CONFIGURATION
F11	NEW PIN CONFIGURATION
F10	NEW PIN CONFIGURATION
F9	NEW PIN CONFIGURATION
F8	CORRECTED MATERIAL NUMBER
F7	NEW PIN CONFIGURATION
F6	NEW PIN CONFIGURATION
F5	RELEASE INTO ONE-SPACE FROM PRO-E

ENTER DESCRIPTION DEC NO: UAU2010-1311 DRAWN BY: 2010/01/13 CHYKOR/FF/THS 2010/01/14 APPROV:VKOSHY 2010/01/15	QUALITY SYMBOLS ▽=0 ▽=0	GENERAL TOLERANCES (UNLESS SPECIFIED) mm INCH 4 PLACES ± --- ± --- 3 PLACES ± --- ± --- 2 PLACES ± --- ± --- 1 PLACE ± --- ± --- ANGULAR ± ---°	DIMENSION STYLE MM ONLY DRAWN BY: DATE SRAJENDRANAT 2008/02/20 CHECKED BY: DATE TSKIVER 2008/02/20 APPROVED BY: DATE VKOSHY 2008/02/20	SCALE 2:1 DESIGN UNITS METRIC THIRD ANGLE PROJECTION	TITLE MX123 49/56 CKT HRNS CONN ASSY	MOLEX INCORPORATED MATERIAL NO. SD-34576-001 DOCUMENT NO.	SHEET NO. 1 OF 11

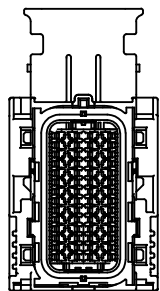
WIRE DRESS OPTION 0
HOUSING ONLY, SHOWN FOR CLARITY



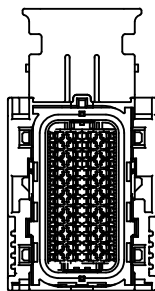
40 OKT
KEY OPTION A



40 OKT
KEY OPTION B



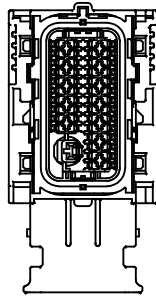
56 OKT
KEY OPTION G



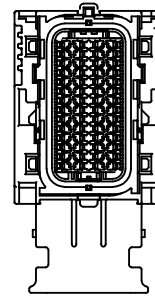
56 OKT
KEY OPTION H

ENTER DESCRIPTION EC NO: UAU2010-1311 DRAWN BY: DRWNAH01 CHECKED BY: CHKJGRIFFHS APPROVED BY: APPR.VKOSHY DATE: 2010/01/13 DATE: 2010/01/14 DATE: 2010/01/15	QUALITY SYMBOLS ▽=0 ▽=0	GENERAL TOLERANCES (UNLESS SPECIFIED)		DIMENSION STYLE MM ONLY	SCALE 1.5:1	DESIGN UNITS METRIC	THIRD ANGLE PROJECTION		
		4 PLACES ±---+--- 3 PLACES ±---+--- 2 PLACES ±---+--- 1 PLACE ±---+---	mm INCH	DRAWN BY SRAJENDRANAT	DATE 2008/02/20	TITLE MX123 49/56 CKT HRNS CONN ASSY			
		ANGULAR ±---°		CHECKED BY TSKIVER	DATE 2008/02/20	MOLEX INCORPORATED			
		DRAFT WHERE APPLICABLE MUST REMAIN WITHIN DIMENSIONS		APPROVED BY VKOSHY	DATE 2008/02/20	MATERIAL NO. SEE BOM TABLE	DOCUMENT NO. SD-34576-001	SHEET NO. 2 OF 11	

WIRE DRESS OPTION 9
HOUSING ONLY, SHOWN FOR CLARITY



49 OKT
KEY OPTION A

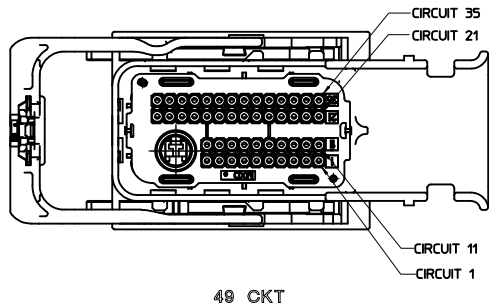


56 OKT
KEY OPTION G

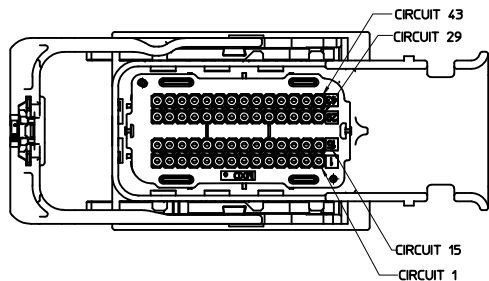
ENTER DESCRIPTION EC NO: UAU2010-1311 DRAWN BY: DRWNAH01 CHECKED BY: CHKJDRFF1HS APPR: VKOSHY DATE: 2010/01/13 DATE: 2010/01/14 DATE: 2010/01/15	QUALITY SYMBOLS ◀=0 ▽=0	GENERAL TOLERANCES (UNLESS SPECIFIED)		DIMENSION STYLE MM ONLY	SCALE 1.5:1	DESIGN UNITS METRIC	THIRD ANGLE PROJECTION		
		4 PLACES ±---+--- 3 PLACES ±---+--- 2 PLACES ±---+--- 1 PLACE ±---+---	mm INCH	DRAWN BY DATE SRAJENDRANAT 2008/02/20	CHECKED BY DATE TSKIVER 2008/02/20	TITLE MX123 49/56 OKT HRNS CONN ASSY			
		ANGULAR ±---°		APPROVED BY DATE VKOSHY 2008/02/20	MOLEX INCORPORATED				
		DRAFT WHERE APPLICABLE MUST REMAIN WITHIN DIMENSIONS		SEE BOM TABLE	MATERIAL NO. SD-34576-001	DOCUMENT NO.	SHEET NO. 3 OF 11		

20 19 18 17 16 15 14 13 12 11 10 9 8 7 6 5 4 3 2 1

WIRE DRESS OPTION 0

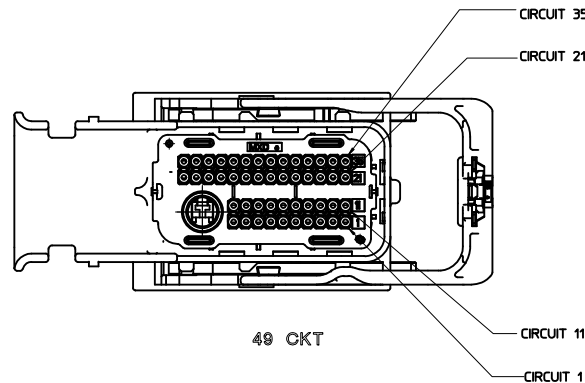


49 CKT

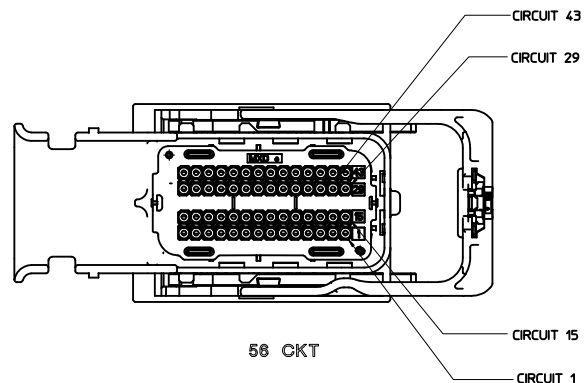


58 CKT

WIRE DRESS OPTION 9



49 CKT



58 CKT

ENTER DESCRIPTION EC NO: UAU2010-1311 DRAWN BY: DRWNAH01 CHECKED BY: CHYKODRFFTHS APPROVED BY: APPR:VKOSHY DATE: 2010/01/13 DATE: 2010/01/14 DATE: 2010/01/15	QUALITY SYMBOLS	GENERAL TOLERANCES (UNLESS SPECIFIED)	DIMENSION STYLE	SCALE	DESIGN UNITS	THIRD ANGLE PROJECTION	
	▽=0 ▽=0	mm INCH 4 PLACES ±---+ 3 PLACES ±---+ 2 PLACES ±---+ 1 PLACE ±---+ ANGULAR ±---°	MM ONLY	2:1	METRIC		
	DRAWN BY: SRAJENDRANAT CHECKED BY: TSKIVER APPROVED BY: VKOSHY DATE: 2008/02/20 DATE: 2008/02/20 DATE: 2008/02/20	DRAFT WHERE APPLICABLE MUST REMAIN WITHIN DIMENSIONS		SEE BOM TABLE	MOLEX INCORPORATED		
	MATERIAL NO. SD-34576-001			DOCUMENT NO. SD-34576-001			SHEET NO. 4 OF 11

19 18 17 16 15 14 13 12 11 10 9 8 7 6 5 4 3 2 1

STATUS	GM PART #	MATERIAL #	PART/MATERIAL REVISION	WIRE DRESS OPTION	KEY OPTION	COLOR (TPA)	NUMBERS INDICATE CAVITIES OPEN FOR CIRCUITS																			
ACTIVE	TBD	34576-003	F	0	A	BLACK																				
NOT TOOLED	TBD	34576-0203	F	0	B	ST GRY	48	47	46	45	44	43	42	41	40	39	38	37	36	35						
NOT TOOLED	TBD	34576-0303	F	0	C	BLUE	34	33	32	31	30	29	28	27	26	25	24	23	22	21						
NOT TOOLED	TBD	34576-0403	F	0	D	BROWN	49										20	19	18	17	16	15	14	13	12	11
NOT TOOLED	TBD	34576-0503	F	0	E	GREEN											10	9	8	7	6	5	4	3	2	1
NOT TOOLED	TBD	34576-0603	F	0	F	NATURAL																				
AVAILABLE	12582680	34576-0703	F	0	G	BLUE																				
ACTIVE	12582681	34576-0803	F	0	H	ST GRY	56	55	54	53	52	51	50	49	48	47	46	45	44	43						
ACTIVE	TBD	34576-0903	F	0	J	BLACK	42	41	40	39	38	37	36	35	34	33	32	31	30	29						
ACTIVE	TBD	34576-1003	F	0	K	BROWN	28	27	26	25	24	23	22	21	20	19	18	17	16	15						
ACTIVE	TBD	34576-1103	F	0	L	GREEN	14	13	12	11	10	9	8	7	6	5	4	3	2	1						
ACTIVE	TBD	34576-1203	F	0	M	NATURAL																				
ACTIVE	TBD	34576-1303	F	9	A	BLACK																				
NOT TOOLED	TBD	34576-1403	F	9	B	ST GRY	48	47	46	45	44	43	42	41	40	39	38	37	36	35						
NOT TOOLED	TBD	34576-1503	F	9	C	BLUE	34	33	32	31	30	29	28	27	26	25	24	23	22	21						
NOT TOOLED	TBD	34576-1603	F	9	D	BROWN	49										20	19	18	17	16	15	14	13	12	11
NOT TOOLED	TBD	34576-1703	F	9	E	GREEN											10	9	8	7	6	5	4	3	2	1
NOT TOOLED	TBD	34576-1803	F	9	F	NATURAL																				
ACTIVE	12603600	34576-1903	F	9	G	BLUE																				
ACTIVE	12603601	34576-2003	F	9	H	ST GRY	56	55	54	53	52	51	50	49	48	47	46	45	44	43						
ACTIVE	TBD	34576-2103	F	9	J	BLACK	42	41	40	39	38	37	36	35	34	33	32	31	30	29						
ACTIVE	TBD	34576-2203	F	9	K	BROWN	28	27	26	25	24	23	22	21	20	19	18	17	16	15						
ACTIVE	TBD	34576-2303	F	9	L	GREEN	14	13	12	11	10	9	8	7	6	5	4	3	2	1						
ACTIVE	TBD	34576-2403	F	9	M	NATURAL																				
AVAILABLE	NOT APPLICABLE	34576-2503	F	0	G	BLUE	56	55	54	53				49	48	47			44							
									40				37	36	35	34	33									
																20	19	18								
							13	12				9		7	6					2						
AVAILABLE	NOT APPLICABLE	34576-2603	F	0	G	BLUE	56	55	54	53				49	48	47			44							
									40				37	36	35	34	33									
																20	19	18								
							13	12				9		7	6											
AVAILABLE	NOT APPLICABLE	34576-2703	F	0	G	BLUE																				

SEE NEXT PAGE FOR ADDITIONAL NUMBERS

ENTER DESCRIPTION EC NO: UAU2010-1311 DRAWN BY: CHKOGR/FF/THS CHECKED BY: CHKOGR/FF/THS APPROVED BY: VKOSHY DATE: 2010/01/13 DATE: 2010/01/14 DATE: 2010/01/15	QUALITY SYMBOLS ▽=0 ▽=0	GENERAL TOLERANCES (UNLESS SPECIFIED) mm INCH 4 PLACES ±--- ±--- 3 PLACES ±--- ±--- 2 PLACES ±--- ±--- 1 PLACE ±--- ±--- ANGULAR ±---°	DIMENSION STYLE MM ONLY	SCALE DESIGN UNITS METRIC	THIRD ANGLE PROJECTION	
	DRAWN BY: SRAJENDRANAT DATE: 2008/02/20	CHECKED BY: TSKIVER DATE: 2008/02/20	APPROVED BY: VKOSHY DATE: 2008/02/20	MATERIAL NO. SEE BOM TABLE	DOCUMENT NO. SD-34576-001	SHEET NO. 5 OF 11
	MOLEX INCORPORATED MX123 49/56 CKT HRNS CONN ASSY					
	THIS DRAWING CONTAINS INFORMATION THAT IS PROPRIETARY TO MOLEX INCORPORATED AND SHOULD NOT BE USED WITHOUT WRITTEN PERMISSION					

20 19 18 17 16 15 14 13 12 11 10 9 8 7 6 5 4 3 2 1

STATUS	GM PART #	MATERIAL #	PART/MATERIAL REVISION	WIRE DRESS OPTION	KEY OPTION	COLOR (TPA)	NUMBERS INDICATE CAVITIES OPEN FOR CIRCUITS																																												
AVAILABLE	NOT APPLICABLE	34576-2803	F	0	G	BLUE	<table border="1"> <tr><td>55</td><td>54</td><td>53</td><td>51</td><td>49</td><td>48</td><td>47</td><td>44</td></tr> <tr><td>40</td><td></td><td></td><td>37</td><td>36</td><td>35</td><td>34</td><td>33</td></tr> <tr><td>26</td><td></td><td></td><td></td><td></td><td></td><td>20</td><td>19</td></tr> <tr><td>13</td><td>12</td><td></td><td>9</td><td>7</td><td></td><td></td><td></td></tr> </table>	55	54	53	51	49	48	47	44	40			37	36	35	34	33	26						20	19	13	12		9	7															
55	54	53	51	49	48	47	44																																												
40			37	36	35	34	33																																												
26						20	19																																												
13	12		9	7																																															
AVAILABLE	NOT APPLICABLE	34576-2903	F	0	G	BLUE	<table border="1"> <tr><td>56</td><td>55</td><td>53</td><td></td><td>49</td><td>48</td><td>47</td><td>46</td><td>45</td><td>44</td></tr> <tr><td></td><td>40</td><td>39</td><td>37</td><td>36</td><td>35</td><td>34</td><td>33</td><td></td><td>30</td></tr> <tr><td></td><td></td><td>25</td><td></td><td></td><td></td><td>20</td><td>19</td><td>18</td><td></td></tr> <tr><td>13</td><td>12</td><td></td><td>9</td><td>7</td><td></td><td></td><td></td><td></td><td></td></tr> </table>	56	55	53		49	48	47	46	45	44		40	39	37	36	35	34	33		30			25				20	19	18		13	12		9	7									
56	55	53		49	48	47	46	45	44																																										
	40	39	37	36	35	34	33		30																																										
		25				20	19	18																																											
13	12		9	7																																															
AVAILABLE	NOT APPLICABLE	34576-3003	F	0	G	BLUE	<table border="1"> <tr><td>56</td><td>55</td><td>54</td><td>53</td><td></td><td>49</td><td>48</td><td>47</td><td>44</td><td></td></tr> <tr><td></td><td>40</td><td></td><td></td><td>37</td><td>36</td><td>35</td><td>34</td><td>33</td><td>29</td></tr> <tr><td></td><td></td><td></td><td></td><td></td><td></td><td></td><td>20</td><td>19</td><td>18</td></tr> <tr><td>13</td><td>12</td><td></td><td>9</td><td>7</td><td>6</td><td></td><td></td><td></td><td>2</td></tr> </table>	56	55	54	53		49	48	47	44			40			37	36	35	34	33	29								20	19	18	13	12		9	7	6				2				
56	55	54	53		49	48	47	44																																											
	40			37	36	35	34	33	29																																										
							20	19	18																																										
13	12		9	7	6				2																																										
AVAILABLE	NOT APPLICABLE	34576-3103	F	0	G	BLUE	<table border="1"> <tr><td>56</td><td>55</td><td>54</td><td>53</td><td></td><td>49</td><td>48</td><td>47</td><td>46</td><td>45</td><td>44</td></tr> <tr><td></td><td>40</td><td>39</td><td>37</td><td>36</td><td>35</td><td>34</td><td>33</td><td></td><td></td><td></td></tr> <tr><td></td><td></td><td></td><td></td><td></td><td></td><td></td><td>20</td><td>19</td><td>18</td><td></td></tr> <tr><td>13</td><td>12</td><td></td><td>9</td><td>7</td><td></td><td></td><td></td><td></td><td></td><td></td></tr> </table>	56	55	54	53		49	48	47	46	45	44		40	39	37	36	35	34	33											20	19	18		13	12		9	7						
56	55	54	53		49	48	47	46	45	44																																									
	40	39	37	36	35	34	33																																												
							20	19	18																																										
13	12		9	7																																															
AVAILABLE	NOT APPLICABLE	34576-3203	F	0	G	BLUE	<table border="1"> <tr><td>55</td><td>54</td><td>53</td><td></td><td>49</td><td>48</td><td>47</td><td>46</td><td>44</td><td></td></tr> <tr><td></td><td>40</td><td></td><td></td><td>37</td><td>36</td><td>35</td><td>34</td><td>33</td><td>32</td><td>31</td></tr> <tr><td></td><td>26</td><td></td><td></td><td></td><td></td><td></td><td>20</td><td>19</td><td>18</td><td></td></tr> <tr><td>13</td><td>12</td><td></td><td>9</td><td>7</td><td></td><td></td><td></td><td></td><td></td><td></td></tr> </table>	55	54	53		49	48	47	46	44			40			37	36	35	34	33	32	31		26						20	19	18		13	12		9	7							
55	54	53		49	48	47	46	44																																											
	40			37	36	35	34	33	32	31																																									
	26						20	19	18																																										
13	12		9	7																																															
AVAILABLE	NOT APPLICABLE	34576-3303	F	0	G	BLUE	<table border="1"> <tr><td>56</td><td>55</td><td>54</td><td></td><td>49</td><td>48</td><td>47</td><td></td><td>44</td><td></td></tr> <tr><td></td><td>40</td><td></td><td></td><td>37</td><td>36</td><td>35</td><td>34</td><td>33</td><td></td></tr> <tr><td></td><td></td><td></td><td></td><td></td><td></td><td></td><td>20</td><td>19</td><td>18</td></tr> <tr><td>13</td><td>12</td><td></td><td>9</td><td>7</td><td>6</td><td></td><td></td><td></td><td></td></tr> </table>	56	55	54		49	48	47		44			40			37	36	35	34	33									20	19	18	13	12		9	7	6								
56	55	54		49	48	47		44																																											
	40			37	36	35	34	33																																											
							20	19	18																																										
13	12		9	7	6																																														
AVAILABLE	NOT APPLICABLE	34576-3403	F	0	G	BLUE	<table border="1"> <tr><td>55</td><td>54</td><td>53</td><td></td><td>49</td><td>48</td><td>47</td><td>44</td><td></td></tr> <tr><td></td><td>40</td><td>39</td><td>37</td><td>36</td><td>35</td><td>34</td><td>33</td><td></td></tr> <tr><td></td><td>26</td><td></td><td></td><td></td><td></td><td></td><td>20</td><td>19</td><td>18</td></tr> <tr><td>13</td><td>12</td><td></td><td>9</td><td>7</td><td></td><td></td><td></td><td></td><td></td></tr> </table>	55	54	53		49	48	47	44			40	39	37	36	35	34	33			26						20	19	18	13	12		9	7											
55	54	53		49	48	47	44																																												
	40	39	37	36	35	34	33																																												
	26						20	19	18																																										
13	12		9	7																																															
AVAILABLE	NOT APPLICABLE	34576-3503	F	0	G	BLUE	<table border="1"> <tr><td>56</td><td>55</td><td>53</td><td></td><td>49</td><td>48</td><td>47</td><td>44</td><td></td></tr> <tr><td></td><td>40</td><td></td><td></td><td>37</td><td>36</td><td>35</td><td>34</td><td>33</td><td></td></tr> <tr><td></td><td></td><td></td><td></td><td></td><td></td><td></td><td>20</td><td>19</td><td>18</td></tr> <tr><td>13</td><td>12</td><td></td><td>9</td><td>7</td><td>6</td><td></td><td></td><td></td><td>2</td></tr> </table>	56	55	53		49	48	47	44			40			37	36	35	34	33									20	19	18	13	12		9	7	6				2					
56	55	53		49	48	47	44																																												
	40			37	36	35	34	33																																											
							20	19	18																																										
13	12		9	7	6				2																																										

SEE NEXT PAGE FOR ADDITIONAL NUMBERS

ENTER DESCRIPTION EC NO: UAU2010-1311 DRAWN BY: DRWNAH01 CHKDGRFF: THIS APPR:VKOSHY DATE: 2010/01/13 2010/01/14 2010/01/15	QUALITY SYMBOLS ▽=0 ▽=0	GENERAL TOLERANCES (UNLESS SPECIFIED) <table border="1"> <tr><th></th><th>mm</th><th>INCH</th></tr> <tr><td>4 PLACES</td><td>±----</td><td>±----</td></tr> <tr><td>3 PLACES</td><td>±----</td><td>±----</td></tr> <tr><td>2 PLACES</td><td>±----</td><td>±----</td></tr> <tr><td>1 PLACE</td><td>±----</td><td>±----</td></tr> </table>		mm	INCH	4 PLACES	±----	±----	3 PLACES	±----	±----	2 PLACES	±----	±----	1 PLACE	±----	±----	DIMENSION STYLE MM ONLY	SCALE DRAWN BY: SRAJENDRANAT DATE: 2008/02/20	DESIGN UNITS METRIC	THIRD ANGLE PROJECTION
		mm	INCH																		
	4 PLACES	±----	±----																		
	3 PLACES	±----	±----																		
2 PLACES	±----	±----																			
1 PLACE	±----	±----																			
ANGULAR ±----°	DRAFT WHERE APPLICABLE MUST REMAIN WITHIN DIMENSIONS	APPROVED BY VKOSHY DATE: 2008/02/20	MATERIAL NO. SEE BOM TABLE	DOCUMENT NO. SD-34576-001	TITLE MX123 49/56 CKT HRNS CONN ASSY	SHEET NO. 6 OF 11															
MOLEX INCORPORATED						SD-34576-001															
THIS DRAWING CONTAINS INFORMATION THAT IS PROPRIETARY TO MOLEX INCORPORATED AND SHOULD NOT BE USED WITHOUT WRITTEN PERMISSION																					

19 18 17 16 15 14 13 12 11 10 9 8 7 6 5 4 3 2 1

STATUS	GM PART #	MATERIAL #	PART/MATERIAL REVISION	WIRE DRESS OPTION	KEY OPTION	COLOR (TPA)	NUMBERS INDICATE CAVITIES OPEN FOR CIRCUITS																																																												
AVAILABLE	NOT APPLICABLE	34576-3603	F	0	G	BLUE	<table border="1"> <tr><td>55</td><td>54</td><td>53</td><td></td><td></td><td>49</td><td>48</td><td>47</td><td></td><td>44</td></tr> <tr><td>40</td><td></td><td></td><td>37</td><td>36</td><td>35</td><td>34</td><td>33</td><td></td><td></td></tr> <tr><td>26</td><td></td><td></td><td></td><td></td><td></td><td>20</td><td>19</td><td>18</td><td></td></tr> <tr><td>13</td><td>12</td><td></td><td>9</td><td>7</td><td></td><td></td><td></td><td></td><td></td></tr> </table>	55	54	53			49	48	47		44	40			37	36	35	34	33			26						20	19	18		13	12		9	7																									
55	54	53			49	48	47		44																																																										
40			37	36	35	34	33																																																												
26						20	19	18																																																											
13	12		9	7																																																															
AVAILABLE	NOT APPLICABLE	34576-3703	F	0	G	BLUE	<table border="1"> <tr><td>56</td><td>55</td><td>54</td><td>53</td><td>51</td><td>49</td><td>48</td><td>47</td><td></td><td>44</td></tr> <tr><td></td><td>40</td><td></td><td></td><td>37</td><td>36</td><td>35</td><td>34</td><td>33</td><td>29</td></tr> <tr><td></td><td></td><td></td><td></td><td></td><td></td><td></td><td>20</td><td>19</td><td>18</td></tr> <tr><td>13</td><td>12</td><td></td><td>9</td><td>7</td><td>6</td><td></td><td></td><td></td><td>2</td></tr> </table>	56	55	54	53	51	49	48	47		44		40			37	36	35	34	33	29								20	19	18	13	12		9	7	6				2																				
56	55	54	53	51	49	48	47		44																																																										
	40			37	36	35	34	33	29																																																										
							20	19	18																																																										
13	12		9	7	6				2																																																										
AVAILABLE	NOT APPLICABLE	34576-3803	F	0	G	BLUE	<table border="1"> <tr><td>56</td><td>54</td><td>53</td><td></td><td></td><td>49</td><td>47</td><td>46</td><td>44</td><td></td></tr> <tr><td></td><td>40</td><td>39</td><td></td><td>37</td><td>36</td><td>35</td><td>33</td><td>32</td><td>31</td></tr> <tr><td></td><td></td><td>25</td><td></td><td></td><td></td><td></td><td>20</td><td>19</td><td>18</td></tr> <tr><td>13</td><td>12</td><td></td><td>9</td><td>7</td><td></td><td></td><td></td><td></td><td>2</td></tr> </table>	56	54	53			49	47	46	44			40	39		37	36	35	33	32	31			25					20	19	18	13	12		9	7					2																				
56	54	53			49	47	46	44																																																											
	40	39		37	36	35	33	32	31																																																										
		25					20	19	18																																																										
13	12		9	7					2																																																										
AVAILABLE	NOT APPLICABLE	34576-3903	F	0	G	BLUE	<table border="1"> <tr><td>56</td><td>54</td><td>53</td><td></td><td></td><td>49</td><td>47</td><td></td><td>44</td><td></td></tr> <tr><td></td><td>40</td><td>39</td><td></td><td>37</td><td>36</td><td>35</td><td>33</td><td></td><td>29</td></tr> <tr><td></td><td></td><td>25</td><td></td><td></td><td></td><td></td><td>20</td><td>19</td><td>18</td></tr> <tr><td>13</td><td>12</td><td></td><td>9</td><td>7</td><td></td><td></td><td></td><td></td><td>15</td></tr> </table>	56	54	53			49	47		44			40	39		37	36	35	33		29			25					20	19	18	13	12		9	7					15																				
56	54	53			49	47		44																																																											
	40	39		37	36	35	33		29																																																										
		25					20	19	18																																																										
13	12		9	7					15																																																										
AVAILABLE	NOT APPLICABLE	34576-4003	F	0	G	BLUE	<table border="1"> <tr><td>56</td><td>55</td><td>54</td><td>53</td><td></td><td>49</td><td>48</td><td>47</td><td>45</td><td>44</td></tr> <tr><td></td><td>40</td><td>39</td><td></td><td>37</td><td>36</td><td>35</td><td>34</td><td>33</td><td>29</td></tr> <tr><td></td><td></td><td>25</td><td></td><td></td><td></td><td></td><td>20</td><td>19</td><td>18</td></tr> <tr><td>13</td><td>12</td><td></td><td>9</td><td>7</td><td>6</td><td></td><td></td><td></td><td>16</td></tr> <tr><td></td><td></td><td></td><td></td><td></td><td></td><td></td><td></td><td></td><td>15</td></tr> <tr><td></td><td></td><td></td><td></td><td></td><td></td><td></td><td></td><td></td><td>1</td></tr> </table>	56	55	54	53		49	48	47	45	44		40	39		37	36	35	34	33	29			25					20	19	18	13	12		9	7	6				16										15										1
56	55	54	53		49	48	47	45	44																																																										
	40	39		37	36	35	34	33	29																																																										
		25					20	19	18																																																										
13	12		9	7	6				16																																																										
									15																																																										
									1																																																										
AVAILABLE	NOT APPLICABLE	34576-4103	F	0	G	BLUE	<table border="1"> <tr><td>56</td><td>55</td><td>54</td><td>53</td><td></td><td>49</td><td>48</td><td>47</td><td>46</td><td>44</td></tr> <tr><td></td><td>40</td><td>39</td><td>38</td><td>37</td><td>36</td><td>35</td><td>34</td><td>33</td><td>31</td></tr> <tr><td></td><td></td><td>25</td><td></td><td></td><td></td><td></td><td>20</td><td>19</td><td>18</td></tr> <tr><td>13</td><td>12</td><td></td><td>9</td><td>7</td><td></td><td></td><td></td><td></td><td>16</td></tr> </table>	56	55	54	53		49	48	47	46	44		40	39	38	37	36	35	34	33	31			25					20	19	18	13	12		9	7					16																				
56	55	54	53		49	48	47	46	44																																																										
	40	39	38	37	36	35	34	33	31																																																										
		25					20	19	18																																																										
13	12		9	7					16																																																										
AVAILABLE	NOT APPLICABLE	34576-4203	F	0	G	BLUE	<table border="1"> <tr><td>56</td><td>55</td><td>54</td><td>53</td><td></td><td>49</td><td>48</td><td>47</td><td>45</td><td>44</td></tr> <tr><td></td><td>40</td><td>39</td><td></td><td>37</td><td>36</td><td>35</td><td>34</td><td>33</td><td></td></tr> <tr><td></td><td></td><td></td><td></td><td></td><td></td><td></td><td>20</td><td>19</td><td>18</td></tr> <tr><td>13</td><td>12</td><td></td><td>9</td><td>7</td><td></td><td></td><td></td><td></td><td></td></tr> </table>	56	55	54	53		49	48	47	45	44		40	39		37	36	35	34	33									20	19	18	13	12		9	7																									
56	55	54	53		49	48	47	45	44																																																										
	40	39		37	36	35	34	33																																																											
							20	19	18																																																										
13	12		9	7																																																															
AVAILABLE	NOT APPLICABLE	34576-4303	F	0	G	BLUE	<table border="1"> <tr><td>56</td><td>55</td><td>54</td><td>53</td><td>51</td><td>49</td><td>48</td><td>47</td><td>45</td><td>44</td></tr> <tr><td>41</td><td>40</td><td>38</td><td>37</td><td>36</td><td>35</td><td>34</td><td>33</td><td></td><td>30</td></tr> <tr><td></td><td>26</td><td>25</td><td>24</td><td>22</td><td>21</td><td>20</td><td>19</td><td>17</td><td></td></tr> <tr><td>13</td><td>12</td><td></td><td>9</td><td>7</td><td></td><td></td><td></td><td>4</td><td>3</td></tr> <tr><td></td><td></td><td></td><td></td><td></td><td></td><td></td><td></td><td></td><td>1</td></tr> </table>	56	55	54	53	51	49	48	47	45	44	41	40	38	37	36	35	34	33		30		26	25	24	22	21	20	19	17		13	12		9	7				4	3										1										
56	55	54	53	51	49	48	47	45	44																																																										
41	40	38	37	36	35	34	33		30																																																										
	26	25	24	22	21	20	19	17																																																											
13	12		9	7				4	3																																																										
									1																																																										

SEE NEXT PAGE FOR ADDITIONAL NUMBERS

ENTER DESCRIPTION EC NO: UAU2010-1311 DRAWN BY: DRWNAH001 CHKD BY: CHKDGRIFFIHS APPR: VKOSHY DATE: 2010/01/13 2010/01/14 2010/01/15	QUALITY SYMBOLS ▽=0 ▽=0	GENERAL TOLERANCES (UNLESS SPECIFIED) <table border="1"> <tr><th></th><th>mm</th><th>INCH</th></tr> <tr><td>4 PLACES</td><td>±.000</td><td>±.000</td></tr> <tr><td>3 PLACES</td><td>±.005</td><td>±.000</td></tr> <tr><td>2 PLACES</td><td>±.010</td><td>±.000</td></tr> <tr><td>1 PLACE</td><td>±.015</td><td>±.000</td></tr> </table> ANGULAR ±.000		mm	INCH	4 PLACES	±.000	±.000	3 PLACES	±.005	±.000	2 PLACES	±.010	±.000	1 PLACE	±.015	±.000	DIMENSION STYLE MM ONLY	SCALE DESIGN UNITS METRIC	THIRD ANGLE PROJECTION
		mm	INCH																	
	4 PLACES	±.000	±.000																	
	3 PLACES	±.005	±.000																	
2 PLACES	±.010	±.000																		
1 PLACE	±.015	±.000																		
DRAWN BY: SRAJENDRANAT CHECKED BY: TSK IVER APPROVED BY: VKOSHY DATE: 2008/02/20 2008/02/20 2008/02/20	TITLE MX123 49/56 CKT HRNS CONN ASSY	MATERIAL NO. SD-34576-001	SHEET NO. 7 OF 11	MOLEX INCORPORATED																
DRAFT WHERE APPLICABLE MUST REMAIN WITHIN DIMENSIONS		SEE BOM TABLE		DOCUMENT NO.																
THIS DRAWING CONTAINS INFORMATION THAT IS PROPRIETARY TO MOLEX INCORPORATED AND SHOULD NOT BE USED WITHOUT WRITTEN PERMISSION																				

20 19 18 17 16 15 14 13 12 11 10 9 8 7 6 5 4 3 2 1

34576

STATUS	GM PART #	MATERIAL #	PART/MATERIAL REVISION	WIRE DRESS OPTION	KEY OPTION	COLOR (TPA)	NUMBERS INDICATE CAVITIES OPEN FOR CIRCUITS																																																
AVAILABLE	NOT APPLICABLE	34576-5203	F	0	G	BLUE	<table border="1"> <tr><td>56</td><td>55</td><td>54</td><td>53</td><td></td><td></td><td>49</td><td>48</td><td>47</td><td></td><td>44</td></tr> <tr><td></td><td></td><td>40</td><td>39</td><td>37</td><td>36</td><td>35</td><td>34</td><td>33</td><td></td><td>29</td></tr> <tr><td></td><td></td><td></td><td></td><td></td><td></td><td></td><td>20</td><td>19</td><td>18</td><td></td></tr> <tr><td></td><td></td><td>13</td><td>12</td><td></td><td></td><td>9</td><td>7</td><td></td><td></td><td></td></tr> </table>	56	55	54	53			49	48	47		44			40	39	37	36	35	34	33		29								20	19	18				13	12			9	7							
56	55	54	53			49	48	47		44																																													
		40	39	37	36	35	34	33		29																																													
							20	19	18																																														
		13	12			9	7																																																
AVAILABLE	NOT APPLICABLE	34576-5403	F	0	G	BLUE	<table border="1"> <tr><td></td><td>55</td><td></td><td>53</td><td>51</td><td></td><td>49</td><td>48</td><td>47</td><td></td><td>44</td></tr> <tr><td></td><td></td><td>40</td><td>39</td><td>37</td><td>36</td><td>35</td><td>34</td><td>33</td><td></td><td>30</td></tr> <tr><td></td><td></td><td>26</td><td>25</td><td></td><td></td><td>22</td><td>21</td><td>20</td><td>19</td><td>18</td></tr> <tr><td></td><td></td><td>13</td><td>12</td><td></td><td></td><td>9</td><td>7</td><td></td><td>4</td><td>2</td></tr> </table>		55		53	51		49	48	47		44			40	39	37	36	35	34	33		30			26	25			22	21	20	19	18			13	12			9	7		4	2				
	55		53	51		49	48	47		44																																													
		40	39	37	36	35	34	33		30																																													
		26	25			22	21	20	19	18																																													
		13	12			9	7		4	2																																													
AVAILABLE	NOT APPLICABLE	34576-5503	F	0	G	BLUE	<table border="1"> <tr><td>56</td><td>55</td><td></td><td>53</td><td>51</td><td></td><td>49</td><td>48</td><td>47</td><td></td><td>44</td></tr> <tr><td></td><td></td><td>40</td><td>39</td><td>37</td><td>36</td><td>35</td><td>34</td><td>33</td><td></td><td>30</td></tr> <tr><td></td><td></td><td></td><td>25</td><td></td><td></td><td>22</td><td>21</td><td>20</td><td>19</td><td>18</td></tr> <tr><td></td><td></td><td>13</td><td>12</td><td></td><td></td><td>9</td><td>7</td><td></td><td>4</td><td>2</td></tr> </table>	56	55		53	51		49	48	47		44			40	39	37	36	35	34	33		30				25			22	21	20	19	18			13	12			9	7		4	2				
56	55		53	51		49	48	47		44																																													
		40	39	37	36	35	34	33		30																																													
			25			22	21	20	19	18																																													
		13	12			9	7		4	2																																													
AVAILABLE	NOT APPLICABLE	34576-5603	F	0	G	BLUE	<table border="1"> <tr><td>56</td><td>55</td><td></td><td>53</td><td></td><td></td><td>49</td><td>48</td><td>47</td><td>46</td><td>44</td></tr> <tr><td></td><td></td><td>40</td><td>39</td><td>37</td><td>36</td><td>35</td><td>34</td><td>33</td><td>32</td><td>31</td></tr> <tr><td></td><td></td><td></td><td>25</td><td></td><td></td><td>22</td><td>21</td><td>20</td><td>19</td><td>18</td></tr> <tr><td></td><td></td><td>13</td><td>12</td><td></td><td></td><td>9</td><td>7</td><td></td><td>4</td><td>2</td></tr> </table>	56	55		53			49	48	47	46	44			40	39	37	36	35	34	33	32	31				25			22	21	20	19	18			13	12			9	7		4	2				
56	55		53			49	48	47	46	44																																													
		40	39	37	36	35	34	33	32	31																																													
			25			22	21	20	19	18																																													
		13	12			9	7		4	2																																													
AVAILABLE	NOT APPLICABLE	34576-5703	F	0	G	BLUE	<table border="1"> <tr><td></td><td>55</td><td></td><td>53</td><td></td><td></td><td>49</td><td>48</td><td>47</td><td>46</td><td>44</td></tr> <tr><td></td><td></td><td>40</td><td>39</td><td>37</td><td>36</td><td>35</td><td>34</td><td>33</td><td>32</td><td>31</td></tr> <tr><td></td><td></td><td>26</td><td>25</td><td></td><td></td><td>22</td><td>21</td><td>20</td><td>19</td><td>18</td></tr> <tr><td></td><td></td><td>13</td><td>12</td><td></td><td></td><td>9</td><td>7</td><td></td><td>4</td><td>2</td></tr> </table>		55		53			49	48	47	46	44			40	39	37	36	35	34	33	32	31			26	25			22	21	20	19	18			13	12			9	7		4	2				
	55		53			49	48	47	46	44																																													
		40	39	37	36	35	34	33	32	31																																													
		26	25			22	21	20	19	18																																													
		13	12			9	7		4	2																																													
AVAILABLE	NOT APPLICABLE	34576-5803	F	0	G	BLUE	<table border="1"> <tr><td></td><td>55</td><td></td><td>53</td><td></td><td></td><td>49</td><td>48</td><td>47</td><td>46</td><td>45</td><td>44</td></tr> <tr><td></td><td></td><td>40</td><td>39</td><td>37</td><td>36</td><td>35</td><td>34</td><td>33</td><td></td><td></td><td></td></tr> <tr><td></td><td></td><td>26</td><td>25</td><td></td><td></td><td></td><td>20</td><td>19</td><td>18</td><td></td><td></td></tr> <tr><td></td><td></td><td>13</td><td>12</td><td></td><td></td><td>9</td><td>7</td><td></td><td></td><td></td><td></td></tr> </table>		55		53			49	48	47	46	45	44			40	39	37	36	35	34	33						26	25				20	19	18					13	12			9	7				
	55		53			49	48	47	46	45	44																																												
		40	39	37	36	35	34	33																																															
		26	25				20	19	18																																														
		13	12			9	7																																																
AVAILABLE	NOT APPLICABLE	34576-5903	F	0	G	BLUE	<table border="1"> <tr><td>56</td><td></td><td></td><td>53</td><td>52</td><td></td><td></td><td></td><td>47</td><td>45</td><td>43</td></tr> <tr><td>41</td><td>40</td><td>39</td><td>38</td><td></td><td></td><td></td><td></td><td>34</td><td>33</td><td>31</td></tr> <tr><td>28</td><td>27</td><td>26</td><td>25</td><td>24</td><td></td><td></td><td></td><td>20</td><td>19</td><td>18</td></tr> <tr><td>13</td><td>12</td><td>11</td><td>10</td><td></td><td></td><td></td><td></td><td></td><td>3</td><td>2</td></tr> </table>	56			53	52				47	45	43	41	40	39	38					34	33	31	28	27	26	25	24				20	19	18	13	12	11	10						3	2				
56			53	52				47	45	43																																													
41	40	39	38					34	33	31																																													
28	27	26	25	24				20	19	18																																													
13	12	11	10						3	2																																													
AVAILABLE	NOT APPLICABLE	34576-6003	F	0	G	BLUE	<table border="1"> <tr><td>56</td><td></td><td></td><td>53</td><td>52</td><td></td><td>50</td><td></td><td>47</td><td>45</td><td>43</td></tr> <tr><td></td><td>40</td><td>39</td><td>38</td><td></td><td></td><td></td><td></td><td>34</td><td>33</td><td>31</td></tr> <tr><td>28</td><td>27</td><td>26</td><td>25</td><td>24</td><td></td><td></td><td></td><td>20</td><td>19</td><td>18</td></tr> <tr><td>14</td><td>13</td><td>12</td><td>11</td><td>10</td><td></td><td></td><td></td><td>5</td><td>4</td><td>3</td></tr> </table>	56			53	52		50		47	45	43		40	39	38					34	33	31	28	27	26	25	24				20	19	18	14	13	12	11	10				5	4	3				
56			53	52		50		47	45	43																																													
	40	39	38					34	33	31																																													
28	27	26	25	24				20	19	18																																													
14	13	12	11	10				5	4	3																																													
AVAILABLE	NOT APPLICABLE	34576-6103	F	0	G	BLUE	<table border="1"> <tr><td>56</td><td>55</td><td>54</td><td>53</td><td></td><td></td><td>51</td><td>49</td><td>48</td><td>47</td><td></td><td>44</td></tr> <tr><td></td><td></td><td>40</td><td>39</td><td>37</td><td>36</td><td>35</td><td>34</td><td>33</td><td></td><td></td><td>29</td></tr> <tr><td></td><td></td><td></td><td></td><td></td><td></td><td></td><td></td><td>20</td><td>19</td><td>18</td><td>16</td></tr> <tr><td></td><td></td><td>13</td><td>12</td><td></td><td></td><td>9</td><td>7</td><td></td><td>4</td><td>2</td><td>1</td></tr> </table>	56	55	54	53			51	49	48	47		44			40	39	37	36	35	34	33			29									20	19	18	16			13	12			9	7		4	2	1
56	55	54	53			51	49	48	47		44																																												
		40	39	37	36	35	34	33			29																																												
								20	19	18	16																																												
		13	12			9	7		4	2	1																																												

ENTER DESCRIPTION EC NO: UAU2010-1311 DRAWN BY: CHANDRANATH CHECKED BY: CHANDRANATH APPROVED BY: CHANDRANATH DATE: 2010/01/13 DATE: 2010/01/14 DATE: 2010/01/15	QUALITY SYMBOLS ▽=0 ▽=0	GENERAL TOLERANCES (UNLESS SPECIFIED) <table border="1"> <tr><th></th><th>mm</th><th>INCH</th></tr> <tr><td>4 PLACES</td><td>±----</td><td>±----</td></tr> <tr><td>3 PLACES</td><td>±----</td><td>±----</td></tr> <tr><td>2 PLACES</td><td>±----</td><td>±----</td></tr> <tr><td>1 PLACE</td><td>±----</td><td>±----</td></tr> </table>		mm	INCH	4 PLACES	±----	±----	3 PLACES	±----	±----	2 PLACES	±----	±----	1 PLACE	±----	±----	DIMENSION STYLE MM ONLY	SCALE SCALE	DESIGN UNITS METRIC	THIRD ANGLE PROJECTION
		mm	INCH																		
	4 PLACES	±----	±----																		
	3 PLACES	±----	±----																		
2 PLACES	±----	±----																			
1 PLACE	±----	±----																			
QUALITY SYMBOLS ▽=0 ▽=0	GENERAL TOLERANCES (UNLESS SPECIFIED) ANGULAR ±----°	DIMENSION STYLE MM ONLY	SCALE SCALE	DESIGN UNITS METRIC	THIRD ANGLE PROJECTION 																
QUALITY SYMBOLS ▽=0 ▽=0	GENERAL TOLERANCES (UNLESS SPECIFIED) ANGULAR ±----°	DIMENSION STYLE MM ONLY	SCALE SCALE	DESIGN UNITS METRIC	THIRD ANGLE PROJECTION 																
QUALITY SYMBOLS ▽=0 ▽=0	GENERAL TOLERANCES (UNLESS SPECIFIED) ANGULAR ±----°	DIMENSION STYLE MM ONLY	SCALE SCALE	DESIGN UNITS METRIC	THIRD ANGLE PROJECTION 																

DRAWN BY: SRAJENDRANAT 2008/02/20
 CHECKED BY: TSKIVER 2008/02/20
 APPROVED BY: VKOSHY 2008/02/20
 MATERIAL NO. SD-34576-001
 DOCUMENT NO. SD-34576-001
 SHEET NO. 9 OF 11
MOLEX INCORPORATED
49/56 CKT HRNS CONN ASSY

SEE BOM TABLE
 THIS DRAWING CONTAINS INFORMATION THAT IS PROPRIETARY TO MOLEX INCORPORATED AND SHOULD NOT BE USED WITHOUT WRITTEN PERMISSION

19 18 17 16 15 14 13 12 11 10 9 8 7 6 5 4 3 2 1

STATUS	GM PART #	MATERIAL #	PART/MATERIAL REVISION	WIRE DRESS OPTION	KEY OPTION	COLOR (TFA)	NUMBERS INDICATE CAVITIES OPEN FOR CIRCUITS																																																
AVAILABLE	NOT APPLICABLE	34576-6203	G	0	G	BLUE	<table border="1"> <tr><td>55</td><td>54</td><td>53</td><td></td><td></td><td>49</td><td>48</td><td>47</td><td>46</td><td>45</td><td>44</td><td></td></tr> <tr><td></td><td>40</td><td></td><td></td><td>37</td><td>36</td><td>35</td><td>34</td><td>33</td><td></td><td></td><td></td></tr> <tr><td></td><td></td><td>26</td><td></td><td></td><td></td><td></td><td>20</td><td>19</td><td>18</td><td></td><td></td></tr> <tr><td></td><td></td><td></td><td>13</td><td>12</td><td></td><td>9</td><td>7</td><td></td><td></td><td></td><td></td></tr> </table>	55	54	53			49	48	47	46	45	44			40			37	36	35	34	33						26					20	19	18						13	12		9	7				
55	54	53			49	48	47	46	45	44																																													
	40			37	36	35	34	33																																															
		26					20	19	18																																														
			13	12		9	7																																																
AVAILABLE	NOT APPLICABLE	34576-6303	G	0	G	BLUE	<table border="1"> <tr><td>55</td><td>54</td><td>53</td><td></td><td>51</td><td>49</td><td>48</td><td>47</td><td></td><td></td><td>44</td><td></td></tr> <tr><td></td><td>40</td><td>39</td><td></td><td>37</td><td>36</td><td>35</td><td>34</td><td>33</td><td></td><td></td><td>29</td></tr> <tr><td></td><td></td><td>26</td><td></td><td></td><td></td><td></td><td>20</td><td>19</td><td>18</td><td></td><td>16 15</td></tr> <tr><td></td><td></td><td></td><td>13</td><td>12</td><td></td><td>9</td><td>7</td><td></td><td>4</td><td>2</td><td></td></tr> </table>	55	54	53		51	49	48	47			44			40	39		37	36	35	34	33			29			26					20	19	18		16 15				13	12		9	7		4	2	
55	54	53		51	49	48	47			44																																													
	40	39		37	36	35	34	33			29																																												
		26					20	19	18		16 15																																												
			13	12		9	7		4	2																																													
AVAILABLE	NOT APPLICABLE	34576-6403	G	0	G	BLUE	<table border="1"> <tr><td>55</td><td>54</td><td></td><td></td><td></td><td>49</td><td>48</td><td>47</td><td></td><td></td><td>44</td><td></td></tr> <tr><td></td><td>41</td><td>40</td><td></td><td></td><td>37</td><td>36</td><td>35</td><td>34</td><td>33</td><td></td><td></td></tr> <tr><td></td><td></td><td></td><td></td><td></td><td></td><td></td><td></td><td>20</td><td>19</td><td>18</td><td></td></tr> <tr><td></td><td></td><td></td><td>13</td><td>12</td><td></td><td>9</td><td>8</td><td>7</td><td></td><td></td><td>3</td></tr> </table>	55	54				49	48	47			44			41	40			37	36	35	34	33											20	19	18					13	12		9	8	7			3
55	54				49	48	47			44																																													
	41	40			37	36	35	34	33																																														
								20	19	18																																													
			13	12		9	8	7			3																																												
AVAILABLE	NOT APPLICABLE	34576-6503	G	0	G	BLUE	<table border="1"> <tr><td></td><td>54</td><td></td><td></td><td></td><td></td><td></td><td>47</td><td>46</td><td>45</td><td>43</td><td></td></tr> <tr><td>41</td><td>40</td><td>39</td><td>38</td><td>37</td><td></td><td></td><td>33</td><td>32</td><td>31</td><td>30</td><td>29</td></tr> <tr><td>28</td><td>27</td><td>26</td><td>25</td><td>24</td><td>23</td><td></td><td>20</td><td>19</td><td>18</td><td></td><td>16</td></tr> <tr><td></td><td>13</td><td>12</td><td>11</td><td>10</td><td>9</td><td></td><td></td><td></td><td></td><td>3</td><td>2</td></tr> </table>		54						47	46	45	43		41	40	39	38	37			33	32	31	30	29	28	27	26	25	24	23		20	19	18		16		13	12	11	10	9					3	2
	54						47	46	45	43																																													
41	40	39	38	37			33	32	31	30	29																																												
28	27	26	25	24	23		20	19	18		16																																												
	13	12	11	10	9					3	2																																												
AVAILABLE	NOT APPLICABLE	34576-6603	G	0	G	BLUE	<table border="1"> <tr><td></td><td>54</td><td></td><td></td><td></td><td></td><td></td><td>47</td><td>46</td><td>45</td><td>43</td><td></td></tr> <tr><td>41</td><td>40</td><td>39</td><td>38</td><td>37</td><td></td><td></td><td>34</td><td>33</td><td>32</td><td>31</td><td>30</td></tr> <tr><td>28</td><td>27</td><td>26</td><td>25</td><td>24</td><td>23</td><td></td><td>20</td><td>19</td><td>18</td><td></td><td>16</td></tr> <tr><td></td><td>13</td><td>12</td><td>11</td><td>10</td><td>9</td><td></td><td></td><td></td><td></td><td>3</td><td>2</td></tr> </table>		54						47	46	45	43		41	40	39	38	37			34	33	32	31	30	28	27	26	25	24	23		20	19	18		16		13	12	11	10	9					3	2
	54						47	46	45	43																																													
41	40	39	38	37			34	33	32	31	30																																												
28	27	26	25	24	23		20	19	18		16																																												
	13	12	11	10	9					3	2																																												
AVAILABLE	NOT APPLICABLE	34576-6703	G	0	G	BLUE	<table border="1"> <tr><td>55</td><td></td><td></td><td>52</td><td>51</td><td></td><td></td><td>48</td><td></td><td>46</td><td>45</td><td>43</td></tr> <tr><td>41</td><td>40</td><td>39</td><td>38</td><td></td><td></td><td></td><td></td><td>33</td><td>32</td><td>31</td><td>30</td></tr> <tr><td>28</td><td></td><td>26</td><td>25</td><td>24</td><td></td><td></td><td>20</td><td>19</td><td>18</td><td></td><td>16 15</td></tr> <tr><td></td><td>13</td><td>12</td><td>11</td><td>10</td><td></td><td></td><td></td><td></td><td></td><td>3</td><td>2 1</td></tr> </table>	55			52	51			48		46	45	43	41	40	39	38					33	32	31	30	28		26	25	24			20	19	18		16 15		13	12	11	10						3	2 1
55			52	51			48		46	45	43																																												
41	40	39	38					33	32	31	30																																												
28		26	25	24			20	19	18		16 15																																												
	13	12	11	10						3	2 1																																												
AVAILABLE	NOT APPLICABLE	34576-6803	G	0	G	BLUE	<table border="1"> <tr><td></td><td></td><td></td><td>52</td><td></td><td></td><td></td><td>48</td><td></td><td>46</td><td>45</td><td>43</td></tr> <tr><td>41</td><td>40</td><td>39</td><td>38</td><td></td><td></td><td></td><td></td><td>33</td><td>32</td><td>31</td><td>30</td></tr> <tr><td>28</td><td></td><td>26</td><td>25</td><td>24</td><td></td><td></td><td>20</td><td>19</td><td>18</td><td></td><td>16 15</td></tr> <tr><td></td><td>13</td><td>12</td><td>11</td><td>10</td><td></td><td></td><td></td><td></td><td></td><td>3</td><td>2 1</td></tr> </table>				52				48		46	45	43	41	40	39	38					33	32	31	30	28		26	25	24			20	19	18		16 15		13	12	11	10						3	2 1
			52				48		46	45	43																																												
41	40	39	38					33	32	31	30																																												
28		26	25	24			20	19	18		16 15																																												
	13	12	11	10						3	2 1																																												
AVAILABLE	NOT APPLICABLE	34576-6813	G	0	G	BLUE	<table border="1"> <tr><td>56</td><td>55</td><td>54</td><td>53</td><td></td><td>51</td><td>50</td><td>49</td><td></td><td>47</td><td></td><td>44</td></tr> <tr><td>42</td><td></td><td></td><td>39</td><td></td><td>37</td><td>36</td><td>35</td><td>34</td><td></td><td></td><td></td></tr> <tr><td></td><td>27</td><td></td><td>25</td><td></td><td>23</td><td>22</td><td>21</td><td></td><td></td><td>17</td><td></td></tr> <tr><td></td><td>14</td><td></td><td></td><td>11</td><td>9</td><td>8</td><td>7</td><td>6</td><td>5</td><td>4</td><td></td></tr> </table>	56	55	54	53		51	50	49		47		44	42			39		37	36	35	34					27		25		23	22	21			17			14			11	9	8	7	6	5	4	
56	55	54	53		51	50	49		47		44																																												
42			39		37	36	35	34																																															
	27		25		23	22	21			17																																													
	14			11	9	8	7	6	5	4																																													
AVAILABLE	NOT APPLICABLE	34576-6823	G	0	G	BLUE	<table border="1"> <tr><td>56</td><td>54</td><td>53</td><td></td><td></td><td>50</td><td>49</td><td></td><td>47</td><td></td><td></td><td>44</td></tr> <tr><td>42</td><td></td><td></td><td>39</td><td></td><td>37</td><td>36</td><td>35</td><td>34</td><td></td><td></td><td></td></tr> <tr><td></td><td>27</td><td></td><td>25</td><td></td><td>23</td><td>22</td><td>21</td><td></td><td></td><td>17</td><td></td></tr> <tr><td></td><td>14</td><td></td><td></td><td>11</td><td>9</td><td>8</td><td>7</td><td>6</td><td>5</td><td>4</td><td></td></tr> </table>	56	54	53			50	49		47			44	42			39		37	36	35	34					27		25		23	22	21			17			14			11	9	8	7	6	5	4	
56	54	53			50	49		47			44																																												
42			39		37	36	35	34																																															
	27		25		23	22	21			17																																													
	14			11	9	8	7	6	5	4																																													

ENTER DESCRIPTION EC NO. UAU2010-1311 DRAWN BY: DRWNAH01 CHECKED BY: CHXDGRFFJHS APPR: VKOSHY DATE: 2010/01/13 DATE: 2010/01/14 DATE: 2010/01/15	QUALITY SYMBOLS =0 =0 ANGULAR ±----	GENERAL TOLERANCES (UNLESS SPECIFIED) <table border="1"> <tr><th></th><th>mm</th><th>INCH</th></tr> <tr><td>4 PLACES</td><td>±---</td><td>±---</td></tr> <tr><td>3 PLACES</td><td>±---</td><td>±---</td></tr> <tr><td>2 PLACES</td><td>±---</td><td>±---</td></tr> <tr><td>1 PLACE</td><td>±---</td><td>±---</td></tr> </table>		mm	INCH	4 PLACES	±---	±---	3 PLACES	±---	±---	2 PLACES	±---	±---	1 PLACE	±---	±---	DIMENSION STYLE MM ONLY	SCALE 1:1	DESIGN UNITS METRIC	THIRD ANGLE PROJECTION
		mm	INCH																		
	4 PLACES	±---	±---																		
	3 PLACES	±---	±---																		
2 PLACES	±---	±---																			
1 PLACE	±---	±---																			
DRAWN BY: SRAJENDRANAT CHECKED BY: TSK IVER APPROVED BY: VKOSHY DATE: 2008/02/20 DATE: 2008/02/20 DATE: 2008/02/20	MATERIAL NO. SEE BOM TABLE	TITLE MX123 49/56 CKT HRNS CONN ASSY	MOLEX INCORPORATED	DOCUMENT NO. SD-34576-001	SHEET NO. 10 OF 11	THIS DRAWING CONTAINS INFORMATION THAT IS PROPRIETARY TO MOLEX INCORPORATED AND SHOULD NOT BE USED WITHOUT WRITTEN PERMISSION															

