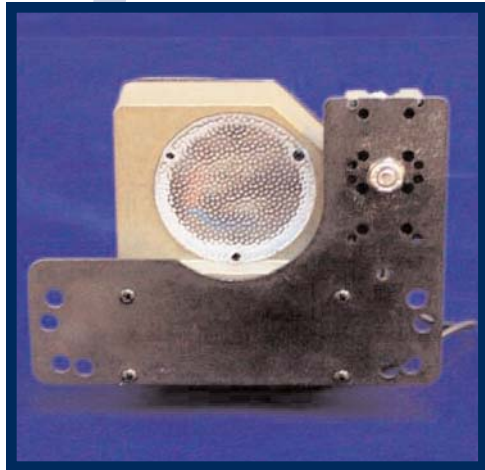




# 891 Series LED

## WAYSIDE SIGNAL LAMP MODULE

With Rear LED Indicator and AREMA Terminal Block



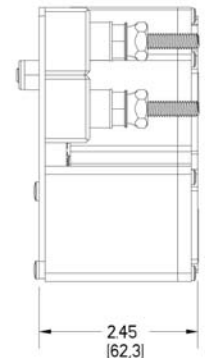
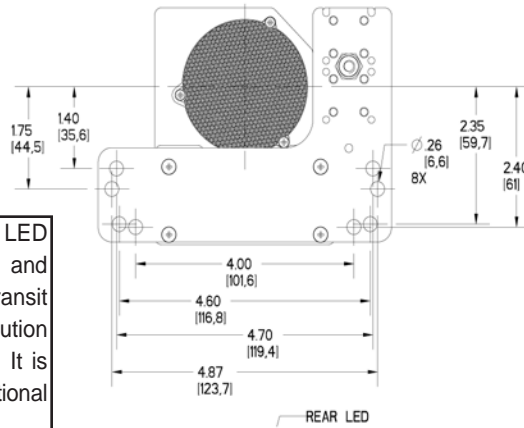
### FEATURES / BENEFITS

- ▲ Features Hi-Flux LEDs to simulate point light source for enhanced optical performance
  - Faster on/off response time than incandescent lamps improves safety
  - Flicker resistance & reduced current draw
  - 5+ year life reduces maintenance costs
  - Redundant LED circuits (single LED failure does not turn off lamp)
- ▲ Prevents sun phantom effects by eliminating use of colored inner filter lenses
- ▲ Designed to fit Safetran, US&S, GRS, and other 6 inch diameter transit wayside signal heads
- ▲ Uses existing signal head outer lens
- ▲ 12 volt AC/ DC and 120 Volt AC versions
- ▲ Power Factor Correction & Reduced THD
- ▲ Certified for Rail environment
- ▲ Includes AREMA Terminal Block and complete installation hardware kit
- ▲ Rear indicator for use by maintenance crew
- ▲ AREMA Class A Compliant

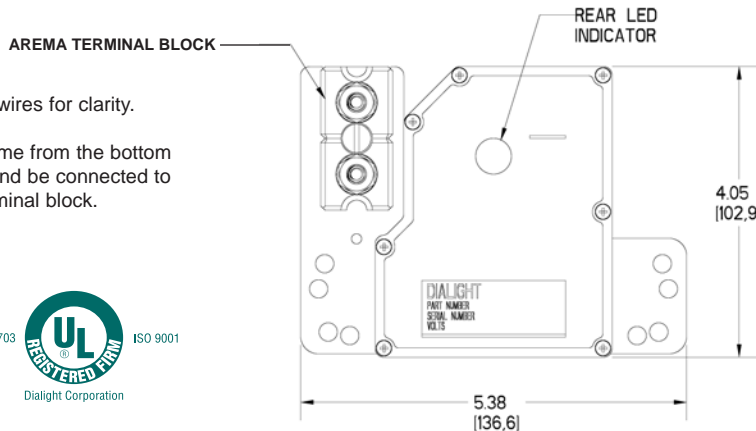
### APPLICATION

▲ The 891 Series LED Wayside Signal Lamp Modules were developed by Dialight specifically for retrofit applications where replacement of existing incandescent light bulbs is desired. This installation approach provides all the benefits of LEDs without the complex retrofit of the entire lens and housing assemblies. Installation is nearly as simple as replacement of the incandescent bulb. Dialight lamp modules have been fully qualified for the Rail environment and incorporate power factor correction and total harmonic distortion reduction circuitry.

Mechanical Dimensions in inches and (millimeters)



▲ Dialight is the recognized leader in LED applications for Transportation Signaling, and has worked cooperatively with leading Transit Rail customers to develop this unique solution to Wayside Signal applications for LEDs. It is proven to be a preferred product over traditional 5mm LED distributed array solutions.



Shown without wires for clarity.  
Wires would come from the bottom of the module and be connected to the AREMA terminal block.



**Dialight Corporation**  
1501 Route 34 South • Farmingdale, NJ 07727 USA  
Tel: (1) 732.919.3119 • Fax: (1) 732.751.5778 • www.dialight.com



MDTR891X001\_A



## 891 Series LED Wayside Signal Lamp Module

With Rear LED Indicator and AREMA Terminal Block

### ELECTRICAL CHARACTERISTICS @ 25° C

Part Number	Color	Operating Current	Operating Voltage	Power Factor	THD
❖ 891-1G01-802	Green	.7 A MAX @ 12VDC/VAC	8-14 VDC/VAC (60 Hz)	> 0.9	< 20%
◆ 891-1R01-801	Red	.6 A MAX @ 12VDC/VAC	8-14 VDC/VAC (60 Hz)		
❖ 891-1Y01-803	Yellow	.6 A MAX @ 12VDC/VAC	8-14 VDC/VAC (60 Hz)		
◆ 891-1W01-807	White	.7 A MAX @ 12VDC/VAC	8-14 VDC/VAC (60 Hz)		
❖ 891-1G02-805	Green	.07 A MAX @ 120 VAC	90-130 VAC (60 Hz)		
◆ 891-1R02-804	Red	.05 A MAX @ 120 VAC	90-130 VAC (60 Hz)		
❖ 891-1Y02-806	Yellow	.05 A MAX @ 120 VAC	90-130 VAC (60 Hz)		
◆ 891-1W02-808	White	.07 A MAX @ 120 VAC	90-130 VAC (60 Hz)		

❖ Meets all AREMA CLASS A Compliant

◆ Meets all AREMA CLASS A Compliant except for color

### OPTICAL PERFORMANCE @ 25° C

Part Number	Description	Minimum Initial Light Output		Typical Initial Light Output		Beam Angles*
		On-axis* Intensity (cd)	Luminous flux (lm)	On-axis* Intensity (cd)	Luminous flux (lm)	
891-1R01-801 891-1R02-804	Red Wayside Signal	110	22	190	36	20°Hx20°V
891-1Y01-803 891-1Y02-806	Yellow Wayside Signal	110	22	165	30	20°Hx20°V
891-1G01-802 891-1R02-805	Green Wayside Signal	85	20	120	28	20°Hx20°V
891-1W01-807 891-1W02-808	White Wayside Signal	85	20	120	28	20°Hx20°V

\*Tested with tinted inner and clear outer wayside lenses.



A4703



Dialight Corporation

**Dialight Corporation**

1501 Route 34 South • Farmingdale, NJ 07727 USA

Tel: (1) 732.919.3119 • Fax: (1) 732.751.5778 • www.dialight.com



a Roxboro Group Company

MDTR891X001\_A