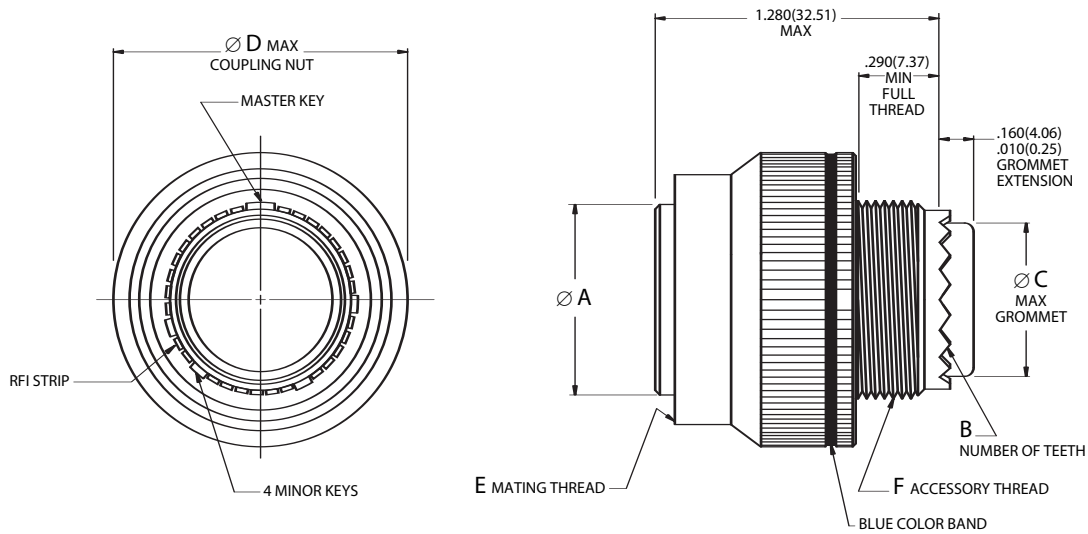




Threaded Coupling, Crimp Removable, Rear Release



Page 93	Completed Part Number
Page 104	Contacts, Sealing Plugs and Tools
Pages 107, 108	Insert Arrangements
Page 87	Performance Specifications
Page 106	Insert Availability and Contact Information
Page 102	Polarization

Shell Size	Ø A		B	Ø C		Ø D		E	F
	+0.005	+13	No. of Teeth	Maximum		Maximum		Mating Thread Class 2B	Accessory Thread Class 2A
	inch	mm		inch	mm	inch	mm		
8	.400	10.16	12	.305	7.75	.967	24.56	9/16-24UNEF	1/2-20UNF
10	.521	13.23	15	.405	10.29	1.093	27.76	11/16-24UNEF	5/8-24UNEF
12	.691	17.55	21	.531	13.49	1.170	29.72	7/8-20UNEF	3/4-20UNEF
14	.760	19.30	24	.665	16.89	1.310	33.27	15/16-20UNEF	7/8-20UNEF
16	.887	22.53	30	.790	20.07	1.500	38.10	1-1/16-18UNEF	1-20UNEF
18	.993	25.22	33	.869	22.07	1.562	39.67	1-3/16-18UNEF	1-1/16-18UNEF
20	1.118	28.40	36	.994	25.25	1.710	43.43	1-5/16-18UNEF	1-3/16-18UNEF
22	1.243	31.57	39	1.119	28.42	1.812	46.02	1-7/16-18UNEF	1-5/16-18UNEF
24	1.368	34.75	42	1.244	31.60	1.948	49.48	1-9/16-18UNEF	1-7/16-18UNEF
28	1.618	41.10	54	1.475	37.47	2.278	57.86	1-13/16-16UN	1-3/4-18UNS