

SPECIFICATIONS

DDR II Connector

Mechanical

Contact Retention Force: 0.75Lbs (0.34kgf) min. per Contact
Durability: 25 Cycles
Dram Board Insertion Force: 3 oz max. per Contact

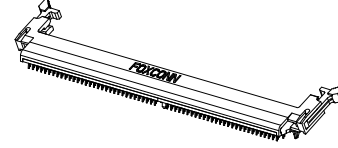
AU140 Series
25Degree, T/H Type
1.00mm [.039"] Pitch
240 Pos.

Electrical

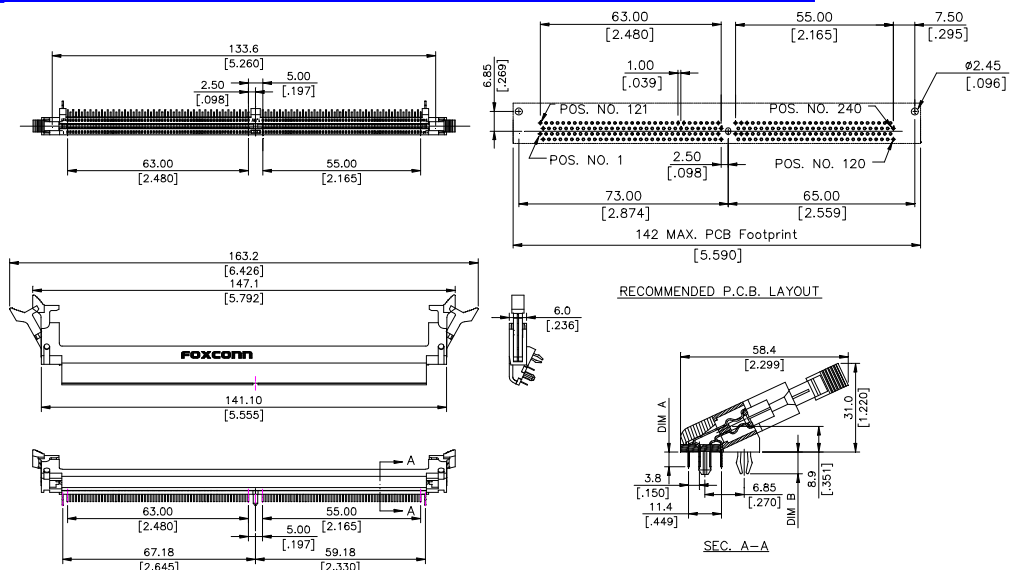
Voltage Raging: 250V AC
Current Rating: 1.0A max., 30 max., in Temperature Rise
Insulation Resistance: 1000MW min. initial
Dielectric Withstanding Voltage: 500V AC at Sea Level
Low Level Contact Resistance: 30mW max. initial

Physical

Housing: Thermoplastic, UL 94V-0 rated in Black Color
Contact: Copper alloy
Ejector: Thermoplastic, UL 94V-0 rated in Ivory or Natural Color
Metal Hold Down: Copper alloy
Operating Temperature: -55 to +105



DRAWING



ORDERING INFORMATION

PRODUCT NO.: **A U 1 4 0 ** - H 1 B - ****

Memory Socket — Slanted type
 DDR II DIMM — 1.00mm Pitch
 No. of Pos. — 40=40 Pos.
 Tail Length — 0=3.15 [.124]
 1=2.67 [.105]

PLATING TYPE — 4N=TIN/LEAD
 4F=LEAD FREE
 Extension Code
 Contact Area Plating — 1=Gold Flash
 2=20u" Gold
 3=30u" Gold
 6=10u" Gold
 7=15u" Gold

AT2400*-H1B-**-**	240	1.8V	3.15 [.124]	3.78 [.149]
AT2401*-H1B-**-**		1.8V	2.67 [.105]	4.57 [.180]
P/N	POS.	VOLTAGE MARKING	DIM. A	DIM. B

All specification & dimensions are subject to change, please call your nearest Foxconn sales representative for update information.