

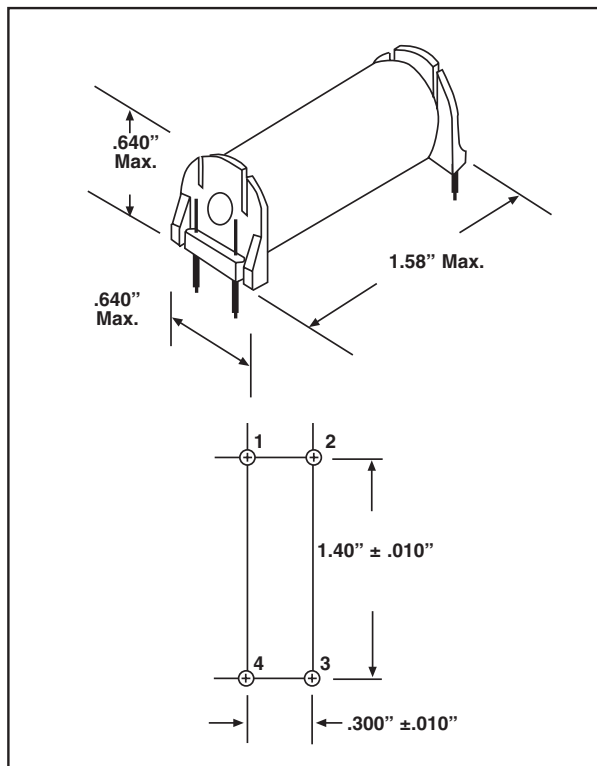


RL-2228

PC MOUNT POWER INDUCTORS



A compact series of high current inductors ideally suited for noise filtering in switching regulated power supplies, power filter networks, power amplifiers, SCR and Triac control circuits. The core construction provides the highest saturation current available in low cost power chokes.



NOTES:

- 1 Saturation current lowers inductance about 5%.
- 2 Inductance $\pm 10\%$ measured at 1KHz and 0 ADC.
- 3 Non-listed values available on request.
- 4 DCR measured at 20° C.
- 5 Max. Temperature Range -55° C to +130° C.
- 6 Molded to MIL-PRF-27E grade 5 through hole and surface mount construction available on request.
- 7 For inductors up to 180 μ H (including) terminals 1 & 2 and 3 & 4 must be shorted on the PCB.



RENCO ELECTRONICS, INC.

595 International Place, Rockledge, FL 32955-4200 USA

(321) 637-1000 • Toll Free Engineering Hot line 800-645-5828

Fax: (321) 637-1600 Web Site: www.rencousa.com E-mail: sales@rencousa.com

RENCO Part No.	L nom μ H	Max. DCR	Saturation current Amp	Suggested Rated current Amp
RL-2228-3.9	3.9	0.008	32.7	10
RL-2228-4.7	4.7	0.008	30.3	10
RL-2228-5.6	5.6	0.010	28.3	10
RL-2228-6.8	6.8	0.010	25.0	10
RL-2228-8.2	8.2	0.010	22.4	10
RL-2228-10	10	0.011	20.2	10
RL-2228-12	12	0.012	19.3	10
RL-2228-15	15	0.014	17.0	10
RL-2228-18	18	0.019	15.7	8
RL-2228-22	22	0.023	14.2	8
RL-2228-27	27	0.024	12.5	8
RL-2228-33	33	0.026	11.5	8
RL-2228-39	39	0.028	10.6	8
RL-2228-47	47	0.041	9.6	6.3
RL-2228-56	56	0.045	8.8	6.3
RL-2228-68	68	0.053	8.0	6.3
RL-2228-82	82	0.059	7.3	6.3
RL-2228-100	100	0.080	6.5	5
RL-2228-120	120	0.084	6.0	5
RL-2228-150	150	0.094	5.4	5
RL-2228-180	180	0.127	4.9	4
RL-2228-220	220	0.136	4.4	3.2
RL-2228-270	270	0.149	4.0	3.2
RL-2228-330	330	0.164	3.6	3.2
RL-2228-470	470	0.241	3.0	2.5
RL-2228-560	560	0.34	2.8	2.0
RL-2228-680	680	0.38	2.5	2.0
RL-2228-820	820	0.42	2.3	2.0
RL-2228-1000	1000	0.46	2.1	2.0
RL-2228-1200	1200	0.65	1.9	1.6
RL-2228-1500	1500	0.72	1.7	1.6
RL-2228-1800	1800	0.79	1.5	1.6
RL-2228-2200	2200	1.1	1.4	1.3
RL-2228-2700	2700	1.5	1.3	1.0
RL-2228-3300	3300	1.7	1.1	1.0
RL-2228-3900	3900	1.8	1.05	1.0
RL-2228-4700	4700	2.5	0.96	0.8
RL-2228-5600	5600	2.8	0.88	0.8
RL-2228-6800	6800	3.8	0.80	0.63
RL-2228-8200	8200	4.2	0.73	0.63
RL-2228-10000	10000	4.7	0.66	0.63
RL-2228-12000	12000	6.4	0.60	0.50
RL-2228-15000	15000	7.2	0.54	0.50
RL-2228-18000	18000	9.9	0.50	0.40
RL-2228-22000	22000	11.0	0.44	0.40
RL-2228-27000	27000	15.2	0.40	0.32
RL-2228-33000	33000	16.8	0.36	0.32
RL-2228-39000	39000	23.2	0.33	0.25
RL-2228-47000	47000	25.5	0.30	0.25
RL-2228-56000	56000	27.8	0.28	0.25
RL-2228-68000	68000	39.3	0.25	0.20
RL-2228-82000	82000	43.2	0.23	0.20
RL-2228-100000	100000	59.8	0.21	0.16
RL-2228-120000	120000	65.5	0.19	0.16
RL-2228-150000	150000	73.2	0.17	0.16



RENCO ELECTRONICS, INC.

✉ 595 International Place, Rockledge, FL 32955-4200 USA

☎ (321) 637-1000 • Toll Free Engineering Hot line 800-645-5828

📠 Fax: (321) 637-1600 🌐 Web Site: www.rencousa.com ✉ E-mail: sales@rencousa.com