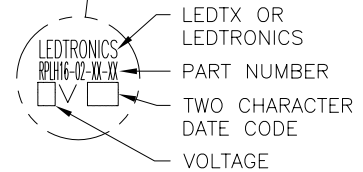
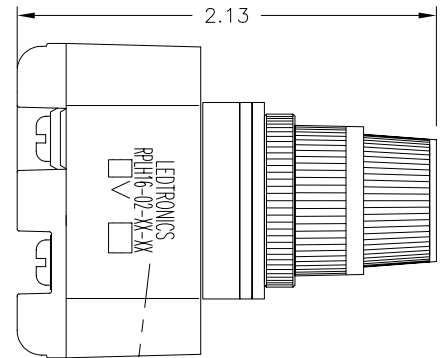
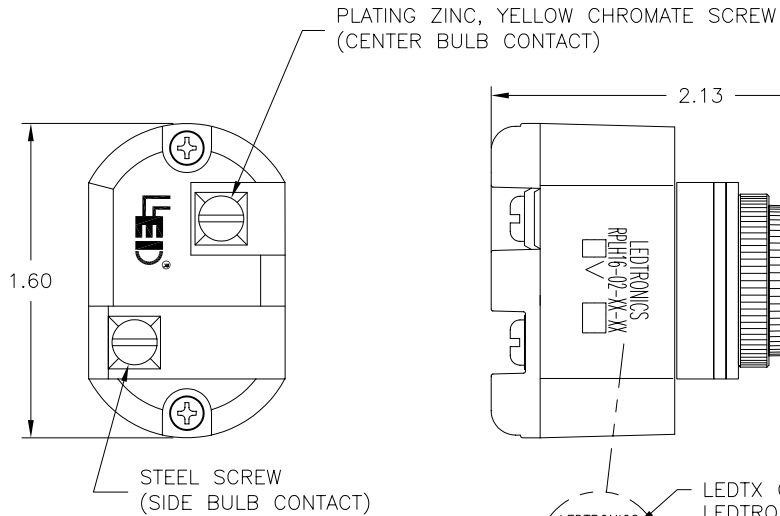
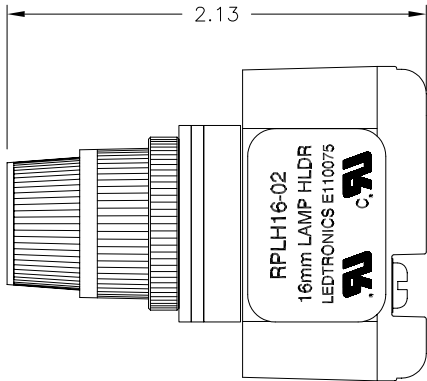
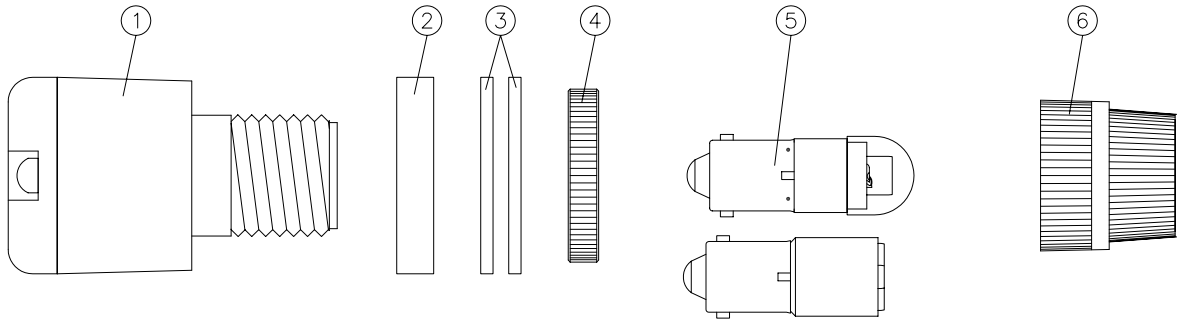


LTR	REVISION	DATE	APPD
G	121809-PL01: IDENTIFIED SCREWS	12-18-09	GP



BILL OF MATERIALS

ITEM	DESCRIPTION	QTY
1	LAMPHOLDER (RYNITE FR530 [UL94V0]) WITH (2) 3.75K, 2 WATT METAL FILM RES.	1
2	WASHER Ø1.0X.188 (NEOPRENE) OPTIONAL	1
3	WASHER Ø1.0X.063 (NEOPRENE) OPTIONAL	2
4	NUT (ALUMINUM 6061T6)	1
5	LED LAMP (28V - BIPOLAR POLARITY)	1
6	LENS (POLYCARBONATE [UL94V2])	1

RPLH16-02-XX-XX

HOLDER SIZE INCOMING VOLTAGE LENS COLOR LED BULB STYLE

PART NUMBER	COLOR	LAMP HOLDER ITEMS 1 - 4	INCOMING VOLTAGE	LENS ITEM 6 (COLOR)	LED LAMP ITEM 5 (COLOR)
RPLH16-02-01-02	RED	RPLH16-02	(120VAC, 130VDC)	RPLL16-CRF (RED)	RPLB-0201-28V (RED)
RPLH16-02-02-02	AMBER	RPLH16-02	(120VAC, 130VDC)	RPLL16-CAF (AMBER)	RPLB-0203-28V (ORANGE)
RPLH16-02-03-02	YELLOW	RPLH16-02	(120VAC, 130VDC)	RPLL16-CYF (YELLOW)	RPLB-0204-28V (YELLOW)
RPLH16-02-03-02A	YELLOW	RPLH16-02	(120VAC, 130VDC)	RPLL16-CAF (AMBER)	RPLB-0204-28V (YELLOW)
RPLH16-02-04-02	GREEN	RPLH16-02	(120VAC, 130VDC)	RPLL16-CGF (GREEN)	RPLB-0206-28V (GREEN)
RPLH16-02-05-02	BLUE	RPLH16-02	(120VAC, 130VDC)	RPLL16-CBF (BLUE)	RPLB-0208-28V (BLUE)
RPLH16-02-06-02	WHITE	RPLH16-02	(120VAC, 130VDC)	RPLL16-TWF (WHITE)	RPLB-0209-28V (WHITE)
RPLH16-02-07-02	CLEAR	RPLH16-02	(120VAC, 130VDC)	RPLL16-CWF (WATER CLEAR)	RPLB-0209-28V (WHITE)
RPLH16-02-01-03	RED	RPLH16-02	(120VAC, 130VDC)	RPLL16-CRF (RED)	RPLB-0301-28V (RED)
RPLH16-02-04-03	GREEN	RPLH16-02	(120VAC, 130VDC)	RPLL16-CGF (GREEN)	RPLB-0306-28V (GREEN)
RPLH16-02-02-03	AMBER	RPLH16-02	(120VAC, 130VDC)	RPLL16-CAF (AMBER)	RPLB-0303-28V (AMBER)

LED[®]
LEDTRONICS, INC.[™]
 23105 KASHIWA COURT
 TORRANCE, CA 90505

-PROPRIETARY-
 This document contains Proprietary information of LEDTRONICS, INC. It may not be copied, used or disclosed for any purpose without the prior express written consent of LEDTRONICS, INC.

.XXX ± .010 TOLERANCE PER ANSI-Y14.5
 .XX ± .025 (UNLESS OTHERWISE STATED)
 ANGLES ± 0°,30'
 FRACT. ± 1/32

TITLE RPLH16-02-0X-0XX					
DWG NO	SCALE	SHEET	DATE		
H1602001	1:1	1 OF 1	10-14-97		
CODE IDENT NO.	DWG BY	CHK BY	QA	MFG	R&D
8Z410	JCH 10-14-97	PL 12-18-09			