

SPECIFICATIONS

Mechanical

Normal Force: 0.3N min
Durability: 5000 Cycles

Electrical

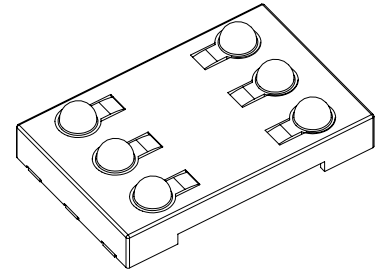
Voltage Rating: 15 V max
Current Rating: 0.5 A max
Contact Resistance: 100 mΩ max at 10mA.
Dielectric Withstanding Voltage: 540V AC/1 min.
Insulation Resistance: 1000 MΩ min (initial), 100 MΩ min (final),

Physical

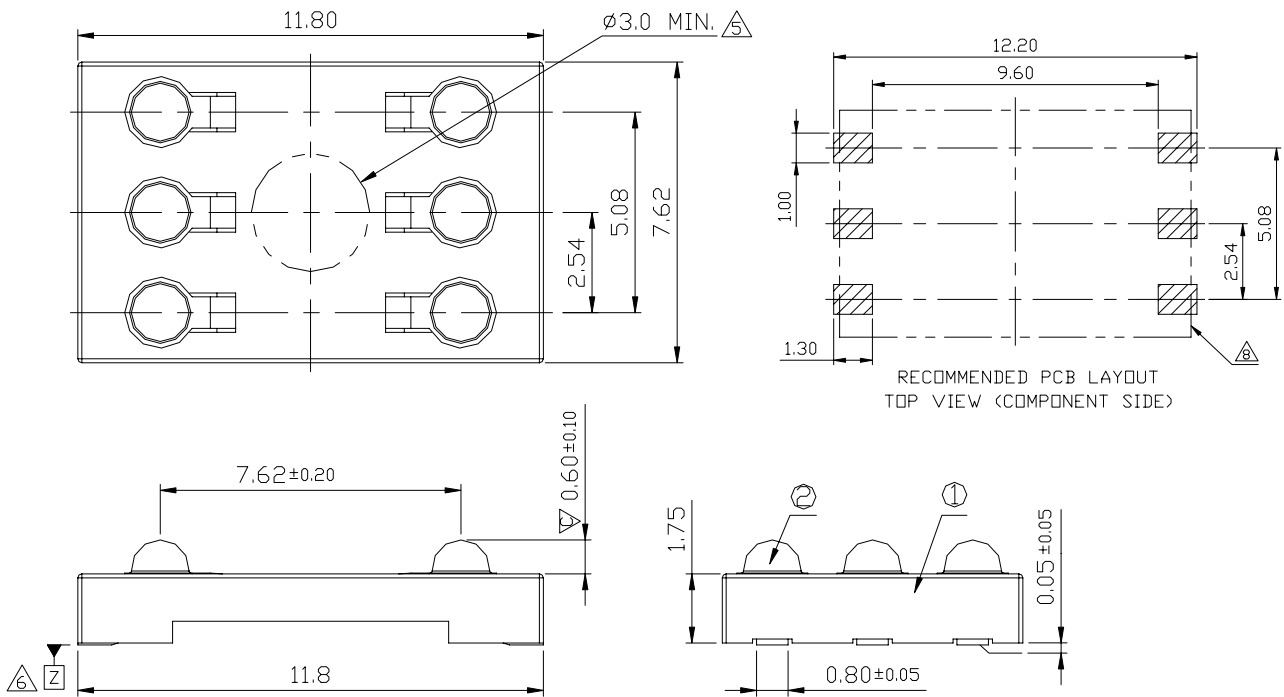
Insert molding: THERMOPLASTIC UL 94V-0, Color Black
Contact: Copper Alloy
Plating: See "ORDERING INFORMATION"
Operating Temperature: -30°C to +85°C

WL Series

SIM Card, SMT Type
1.80mm [.071"] Height
6 Pos.



DRAWING



ORDERING INFORMATION

PRODUCT NO.: WL 6 18 A 3- SP01 -7F

SIM Card Conn.

No. Contact
 6= 6 Pin
 8= 8 Pin

Body Height
 05= 2.5mm
 06= 2.6mm
 07= 0.7mm
 08= 2.8mm
 10= 1.0mm
 11= 1.1mm
 90= 9.0mm

Upper Cover Type
 A= Upper Cover B= Slider In Type
 C= Hinge Type D= Metal Hook or Cover Type
 E= Metal Cover with Push-Push F= Pogo Pin Type
 G= Metal Cover with Inject&Door H= Compression Type

Contact Area Plating Thickness
 1= Gold Flash A= 10u" Pd/Ni +Gold Plating
 2= 20u" Gold Plating B= 20u" Pd/Ni +Gold Plating
 3= 30u" Gold Plating C= 30u" Pd/Ni +Gold Plating
 6= 10u" Gold Plating D= 40u" Pd/Ni +Gold Plating
 7= 15u" Gold Plating L= 25u" Pd/Ni +Gold Plating

Package And Solder Tail Type

T = Tray
 TR= Tape & Reel
 1F= Tray (Lead Free)
 7F= Tape & Reel (Lead Free)

Modification Code
 Code No.: 2 or 3 Code(A-Z or 0-9)