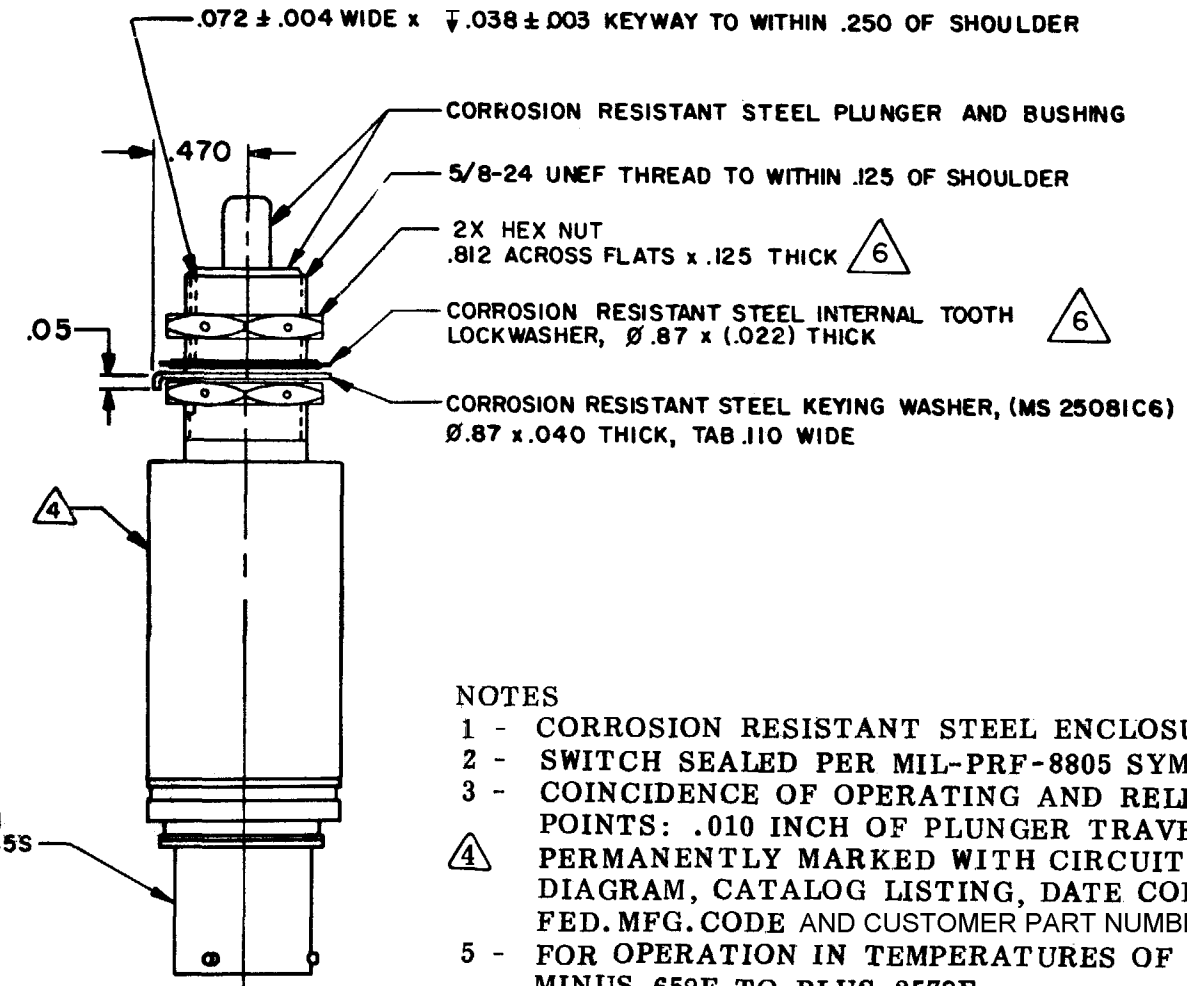
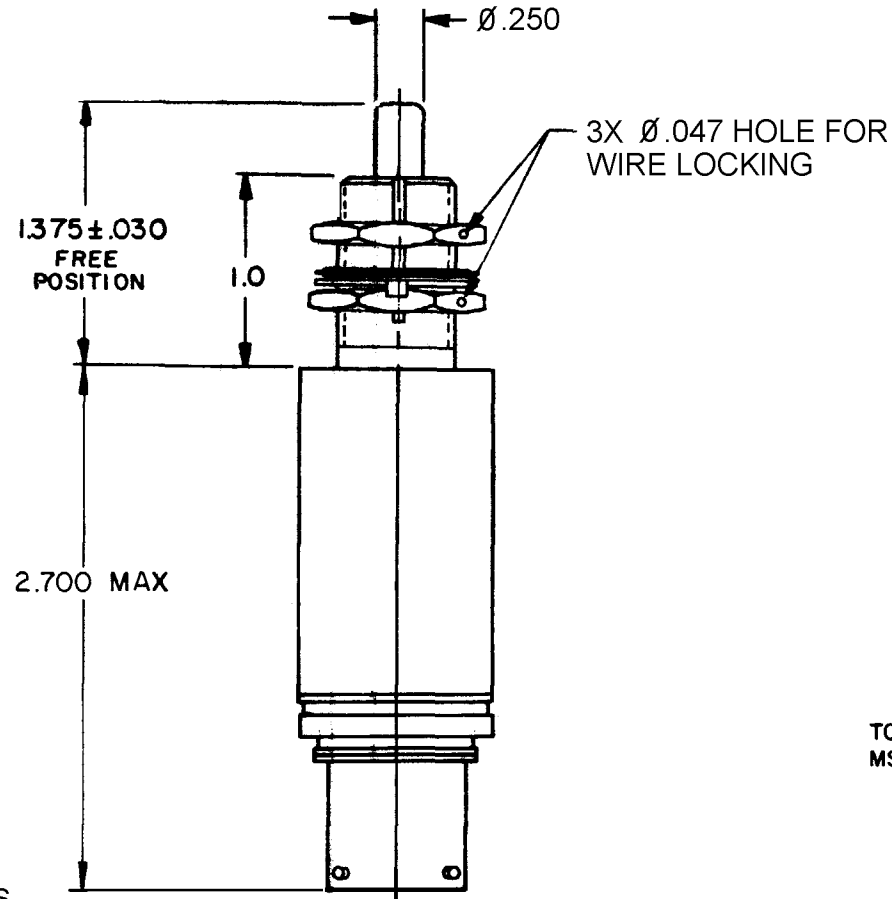
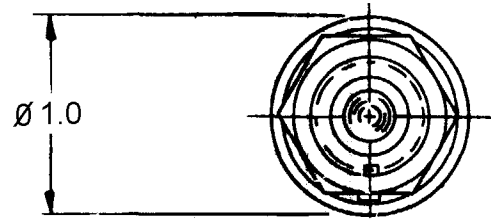
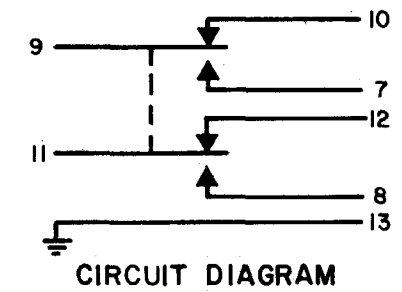


**MICRO SWITCH**  
 FREEPORT ILLINOIS U.S.A.  
 A DIVISION OF HONEYWELL  
 FED. MFG. CODE 91929

**SWITCH-ENCLOSED**

CATALOG LISTING  
**1HE1-RB**

CUSTOMER PART NO.  
 6-0132-1



**NOTES**

- 1 - CORROSION RESISTANT STEEL ENCLOSURE
- 2 - SWITCH SEALED PER MIL-PRF-8805 SYMBOL 5
- 3 - COINCIDENCE OF OPERATING AND RELEASING POINTS: .010 INCH OF PLUNGER TRAVEL
- 4 PERMANENTLY MARKED WITH CIRCUIT DIAGRAM, CATALOG LISTING, DATE CODE, FED. MFG. CODE AND CUSTOMER PART NUMBER
- 5 - FOR OPERATION IN TEMPERATURES OF MINUS 65°F TO PLUS 257°F
- 6 HARDWARE MAY BE PACKAGED UNASSEMBLED PER MIL-PRF-8805

ANSI Y14.5M-1982 APPLIES

THIS DRAWING COVERS A PROPRIETARY ITEM AND IS THE PROPERTY OF MICRO SWITCH, A DIVISION OF HONEYWELL. THIS DRAWING IS NOT TO BE COPIED OR USED WITHOUT THE APPROVAL OF MICRO SWITCH.

THIRD ANGLE PROJECTION

SCALE FULL

DO NOT SCALE PRINT

TOLERANCES  
 APPLY TO DESIGN UNITS. CONVERSIONS ARE ONLY FOR REFERENCE. UNLESS NOTED, TOLERANCES ARE 2

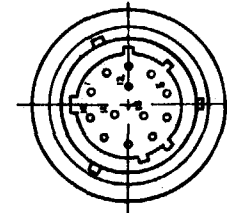
	DIM.	TOL.	DIM.	TOL.
	mm	mm/in	in	mm/in
NO PLACES		17.04		
ONE PLACE	X, X	0.4/018	X, X	0.8/03
TWO PLACES	X, XX	0.157/008	X, XX	0.387/018
THREE PLACES	X, XXX		X, XXX	0.131/005
ANGLES				

DESIGN UNITS  METRIC  US CUSTOMARY

RAW MATERIAL—COMMERCIAL STANDARD  
 MICRO SWITCH STANDARDS APPLY  
 DIMENSIONS ARE TO BE MET BEFORE  
 PROTECTIVE COATINGS ARE APPLIED

WEIGHT

CHARACTERISTICS		ELECTRICAL DATA	
OPERATING FORCE	6-12 LB	CONTACT ARRANGEMENT	
FULL OVERTRAVEL FORCE	30 LB MAX	S P D T (2)	
RELEASE FORCE	4 LB MIN	28 VDC	
PRETRAVEL	.040 MAX	LOAD	SEA LEVEL 100,000 FT.
DIFFERENTIAL TRAVEL	.020 MAX	RES	5 5
OVERTRAVEL	.250 MIN	IND	3 3
		MOTOR	4 4



DRAWING NUMBER  
**1HE1-RB**

PAGE 1 OF 1

ISSUE  
**10 M**

REPLACES X66533-HE

RELEASE NO. PR-6474

CHECK

REVISIONS

A	CO44351	S J B	28 NOV 78
B	CO46239	C E B	2 JULY 79
C	CO47573	T S M	17 JULY 80
D	CO51504	L B	5 MAY 82
A	CO68504	T S M	3 OCT 90
F	CO69776	C S L	12 FEB 91
E	204700	G J W	14 JAN 02
F	205329	D L T	9 APR 02
G	205898	G J W	25 JUN 02

CHECK

CHECK

CHECK

CHECK

CHECK

CHECK

CHECK

CHECK

RASTER  
 FO-52851-A

DRAWN

GLH

7 JUNE 77