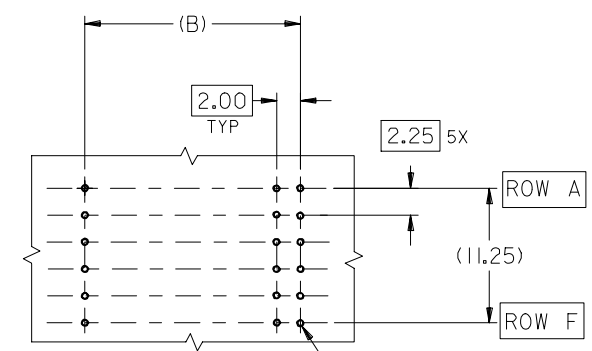


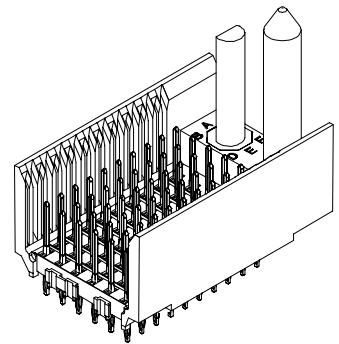
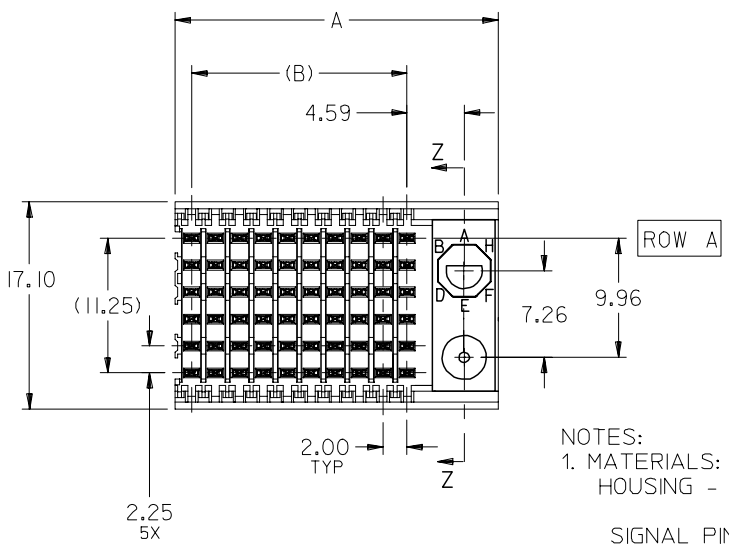
10 9 8 7 6 5 4 3 2 1

F
E
D
C
B
A

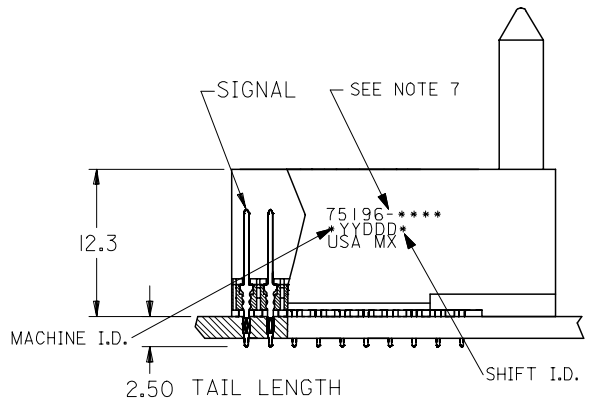
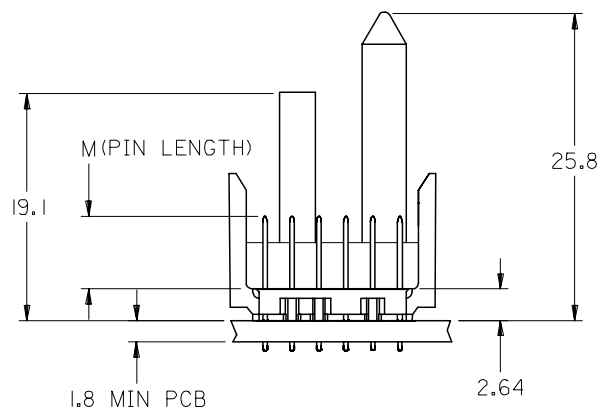


BACKPLANE HOLE PATTERN
RECOMMENDED DIMENSIONS

Ø0.56 ±0.05 PTH
Ø0.66 DRILL
Ø1.00 PAD
⊕ Ø0.10



- NOTES:
- MATERIALS:
HOUSING - LIQUID CRYSTAL POLYMER (LCP),
GLASS-FILLED, UL 94V-0, COLOR: BLACK
SIGNAL PIN - COPPER ALLOY
 - FINISHES:
CONTACT AREA: SELECTIVE GOLD (Au)
PCB TAILS: SELECTIVE TIN/LEAD (Sn/Pb)
OR SELECTIVE MATTE TIN (Sn)
NICKEL (Ni) OVERALL.
 - THIS PART CONFORMS TO MOLEX PRODUCT SPECIFICATION PS-74031-999
 - FOR MIXED CONTACT LENGTHS CONSULT MOLEX FOR AVAILABILITY
 - FOR SPECIFIC MATERIAL NUMBERS & MATING INFORMATION REFER TO SHEET 2
 - PACKAGE PER PK-74058-003
 - EITHER MARK PART WITH PART NUMBER & DATE CODE APPROXIMATELY WHERE SHOWN OR PLACE LABEL ON THE TUBE.



ADD LEADFREE PINS EC NO: UCP2006-0059 DRWN: KMULVEY 2005/07/13 CHKD: 2005/07/13 APPR: SREED 2005/07/15	DESCRIPTION REV	QUALITY SYMBOLS	GENERAL TOLERANCES (UNLESS SPECIFIED)	DIMENSION STYLE	SCALE	DESIGN UNITS	THIRD ANGLE PROJECTION															
		▽=0 ▽=0	<table border="1"> <thead> <tr> <th></th> <th>mm</th> <th>INCH</th> </tr> </thead> <tbody> <tr> <td>4 PLACES</td> <td>± ---</td> <td>± ---</td> </tr> <tr> <td>3 PLACES</td> <td>± ---</td> <td>± ---</td> </tr> <tr> <td>2 PLACES</td> <td>± ---</td> <td>± ---</td> </tr> <tr> <td>1 PLACE</td> <td>± ---</td> <td>± ---</td> </tr> </tbody> </table>		mm	INCH	4 PLACES	± ---	± ---	3 PLACES	± ---	± ---	2 PLACES	± ---	± ---	1 PLACE	± ---	± ---	MM ONLY	2.5:1	METRIC	
			mm	INCH																		
		4 PLACES	± ---	± ---																		
3 PLACES	± ---	± ---																				
2 PLACES	± ---	± ---																				
1 PLACE	± ---	± ---																				
	<table border="1"> <thead> <tr> <th>DATE</th> <th>BY</th> </tr> </thead> <tbody> <tr> <td>2003/01/17</td> <td>MBANDURA</td> </tr> <tr> <td>2003/01/17</td> <td>NMARTIN</td> </tr> <tr> <td>2003/01/17</td> <td>CBIXLER</td> </tr> </tbody> </table>	DATE	BY	2003/01/17	MBANDURA	2003/01/17	NMARTIN	2003/01/17	CBIXLER	TITLE	VHDM LITE 6 ROW SHIELD END BACKPLANE SALES ASSEMBLY											
DATE	BY																					
2003/01/17	MBANDURA																					
2003/01/17	NMARTIN																					
2003/01/17	CBIXLER																					
	DRAFT WHERE APPLICABLE MUST REMAIN WITHIN DIMENSIONS	MATERIAL NO. SEE SHEET 2	DOCUMENT NO. SD-75196-001	MOLEX INCORPORATED		SHEET NO. 1 OF 2																

9 8 7 6 5 4 3 2 1

THIS DRAWING CONTAINS INFORMATION THAT IS PROPRIETARY TO MOLEX INCORPORATED AND SHOULD NOT BE USED WITHOUT WRITTEN PERMISSION

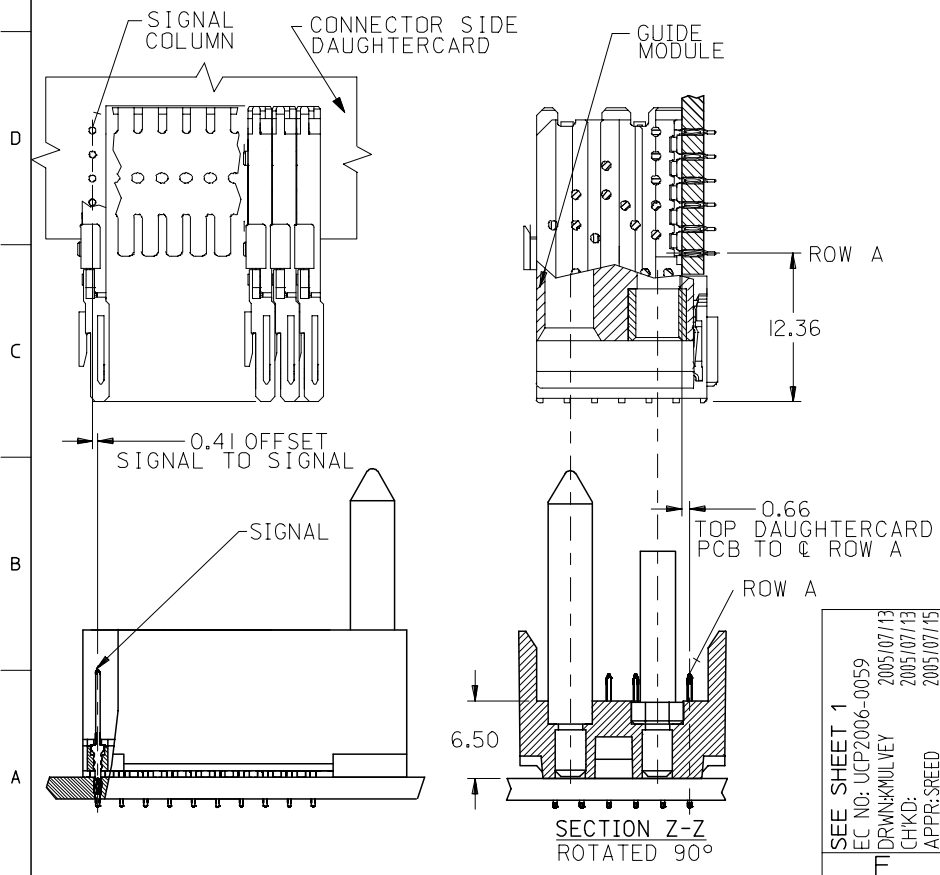
10 9 8 7 6 5 4 3 2 1

M/N 75196-()	---0*	---1*	---2*	---3*	---4*	---5*	---6*	---7*	---8*
KEYING PIN ORIENTATION	O	A	B	C	D	E	F	G	H

75196 - * * * *

NUMBER OF COLUMNS/PLATING
 10 = 10 COLUMN TIN/LEAD
 25 = 25 COLUMN TIN/LEAD
 90 = 10 COLUMN MATTE TIN
 85 = 25 COLUMN MATTE TIN

CONTACT LOAD
 (PIN HEIGHT)
 1 = 4.75
 2 = 6.25
 3 = 4.25
 4 = 5.15



PART NUMBER	COLUMN	NUMBER OF SIGNAL PIN	NUMBER OF SHIELD	A	B	M	Au (um) THICKNESS	Sn (um) THICKNESS
75196-*0*1	10	60	0	27.00	18.00	4.75	0.76	0.76-1.52
75196-*5*1	25	150	0	57.00	48.00	4.75	0.76	
75196-*0*2	10	60	0	27.00	18.00	6.25	0.76	
75196-*5*2	25	150	0	57.00	48.00	6.25	0.76	
75196-*0*3	10	60	0	27.00	18.00	4.25	0.76	
75196-*5*3	25	150	0	57.00	48.00	4.25	0.76	
75196-*0*4	10	60	0	27.00	18.00	5.15	0.76	
75196-*5*4	25	150	0	57.00	48.00	5.15	0.76	

SEE SHEET 1 EC NO: UCP2006-0059 DRW: KMK/MLV CHKD: 2005/07/13 APPR: SREED 2005/07/15	QUALITY SYMBOLS	GENERAL TOLERANCES (UNLESS SPECIFIED)	DIMENSION STYLE MM ONLY	SCALE 2.5:1	DESIGN UNITS METRIC	THIRD ANGLE PROJECTION
	▽=0	4 PLACES ± --- ± ---	DRAWN BY MBANDURA	DATE 2003/01/17	TITLE VHDM LITE 6 ROW SHIELD END BACKPLANE SALES ASSEMBLY MOLEX INCORPORATED	
	▽=0	3 PLACES ± --- ± ---	CHECKED BY NMARTIN	DATE 2003/01/17		
		2 PLACES ± --- ± ---	APPROVED BY CBIXLER	DATE 2003/01/17		
	1 PLACE ± --- ± ---	MATERIAL NO. SEE CHART	DOCUMENT NO. SD-75196-001			
		ANGULAR ±1/2°	DRAFT WHERE APPLICABLE MUST REMAIN WITHIN DIMENSIONS		SHEET NO. 2 OF 2	

9 8 7 6 5 4 3 2 1