

ECONOSWITCH—ENVIRONMENTALLY SEALED SWITCHES

Series—8533, 8534, 8535

Econoswitch Sealed Designerline Toggle Switches

FEATURES	SPECIFICATIONS	CURRENT RATINGS								
		No. of Poles	Catalog Number	Type of Operation	28VDC			115VAC 60 or 400Hz		
					Lamp Load	Resistive Load	Inductive Load	Lamp Load	Resistive Load	Inductive Load
<ul style="list-style-type: none"> Environmentally sealed 1, 2, and 4 pole circuitry One hole mounting for easy installation Variety of lever styles and colors Coded shaped levers for operator feel and cosmetic appearance. 2 & 3 position with maintained and momentary action Three types of termination offered as standard Also available with toggle and lever lock actuators. For details see page 19 for toggles and 22 for lever locks. 	<ul style="list-style-type: none"> Watertight seal per MIL-STD-108E exceeds IP 66/67 UL recognized and CSA certified Bushing: 15/32" - 32 thread Temperature range: -50°F to +150°F (-46°C to +66°C) Life: 50,000 operations at rated load 100,000 operations mechanical life 	1	8533	Maintained Momentary	5 4	20 15	15 10	3 2	15 15	10 7
		2	8534	Maintained Momentary	7 5	20 18	15 10	4 2	15 11	15 8
		4	8535	Maintained Momentary	5 4	20 18	12 10	4 2	15 11	15 8

For the UL/CSA ratings see page 72.

TOGGLE SWITCHES

SELECTION TABLE

	CIRCUIT WITH LEVER IN...			CATALOG NUMBER					
	Up Position	Center Position	Down Position (Keyway)	Screw Terminals ①	Solder Lug Terminals ①	Spade Terminals ①	Shape Suffix ②	Color Letter	Suffix Number
<p>8533</p>	ONE POLE								
	ON	OFF	ON	8533K1	8533K91	8533K31			
	ON	NONE	OFF	K9	K99	K39			
	ON	NONE	ON	K4	K94	K34	All	White	21
	ON	OFF	NONE	K6	K96	K36		Grey	23
	ON	OFF*	NONE	K8	K98	K38			
	ON	NONE	ON*	8533K5	8533K95	8533K35	All	Red	22
	ON	OFF	ON	K2	K92	K32		Green	24
	NONE	OFF	ON*	K7	K97	K37			
	ON	NONE	OFF*	K10	K910	K310		Yellow	25
	OFF	NONE	ON*	K11	K911	K311	All	Black	27
	ON	OFF	ON*	8533K3	8533K93	8533K33		Blue	26
*ON	ON	NONE	K12	K912	K312				
ON	ON	NONE	K13	K913	K313				
<p>8534</p>	TWO POLE								
	ON	OFF	ON	8534K1	8534K91	8534K31			
	ON	NONE	OFF	K9	K99	K39			
	ON	NONE	ON	K4	K94	K34	All	White	21
	ON	OFF	NONE	K6	K96	K36			
	ON	OFF*	NONE	K8	K98	K38			
	ON	NONE	ON*	8534K5	8534K95	8534K35		Grey	23
	ON	OFF	ON	K2	K92	K32			
	NONE	OFF	ON*	K7	K97	K37	All	Red	22
	ON	NONE	OFF*	K10	K910	K310		Green	24
	OFF	NONE	ON*	K11	K911	K311			
	ON	OFF	ON*	8534K3	8534K93	8534K33		Yellow	25
*ON	ON	NONE	K12	K912	K312	All	Black	27	
ON	ON	NONE	K13	K913	K313		Blue	26	
ON	ON	ON	8534K14	8534K914	8534K314				
ON	ON	ON*	K15	K915	K315				
ON	ON	ON	K16	K916	K316				
<p>8535</p>	FOUR POLE								
	ON	OFF	ON	8535K1	8535K91	8535K31			
	ON	NONE	OFF	K9	K99	K39			
	ON	NONE	ON	K4	K94	K34	All	White	21
	ON	OFF	NONE	K6	K96	K36		Grey	23
	ON	OFF*	NONE	K8	K98	K38			
	ON	NONE	ON*	8535K5	8535K95	8535K35			
	ON	OFF	ON	K2	K92	K32	All	Red	22
	NONE	OFF	ON*	K7	K97	K37			
	ON	NONE	OFF*	K10	K910	K310		Green	24
	OFF	NONE	ON*	K11	K911	K311			
	ON	OFF	ON*	8535K3	8535K93	8535K33		Yellow	25
*ON	ON	NONE	K12	K912	K312	All	Black	27	
ON	ON	NONE	K13	K913	K313		Blue	26	
ON	ON	ON	8535K15	8535K915	8535K315				
ON	ON	ON*	K16	K916	K316				
ON	ON	ON	K17	K917	K317				

* Momentary contact.

① A complete catalog number consists of a basic switch number followed by a lever shape suffix letter and a two-digit lever color suffix number. Example: 8533K91E27
See page 73 for circuit diagrams.

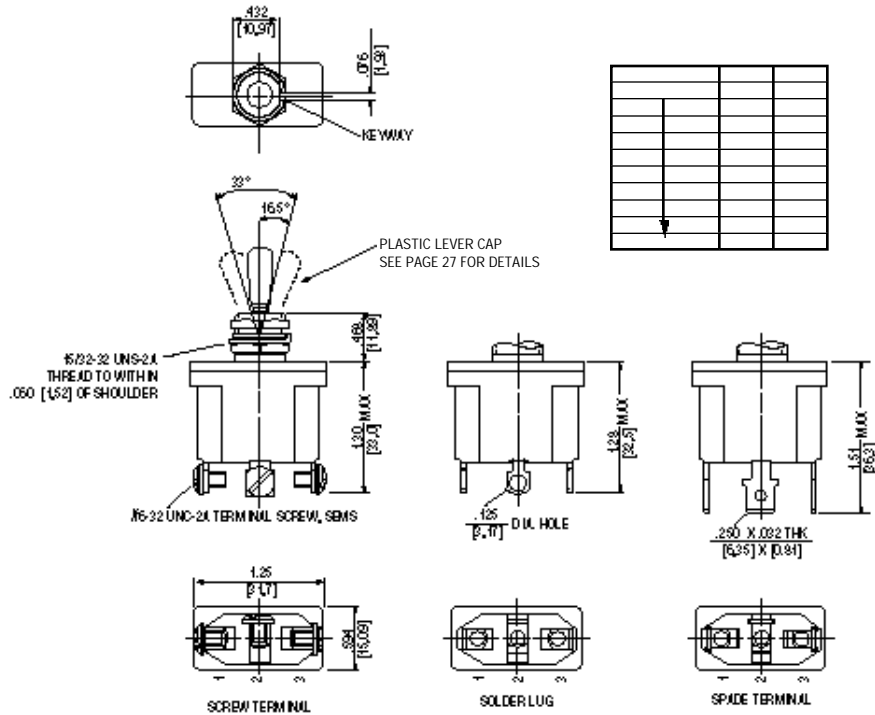
② Select lever shape suffix letter from Page 27.

ECONOSWITCH—ENVIRONMENTALLY SEALED SWITCHES

Series—8533, 8534, 8535

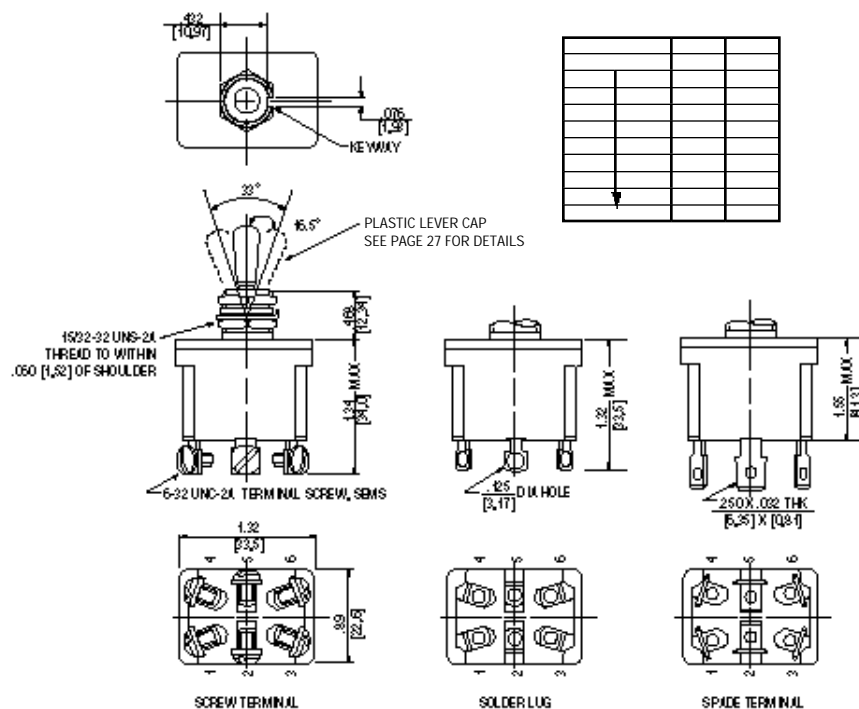
Econoswitch Sealed Designerline Toggle Switches

MOUNTING DIMENSIONS—ONE POLE / 8533



Terminal Identification

MOUNTING DIMENSIONS—TWO POLE / 8534



Terminal Identification

STANDARD
0.00 = inches
[0.0] = mm

Mounting dimensions for reference only.
Non-functional terminals not supplied.

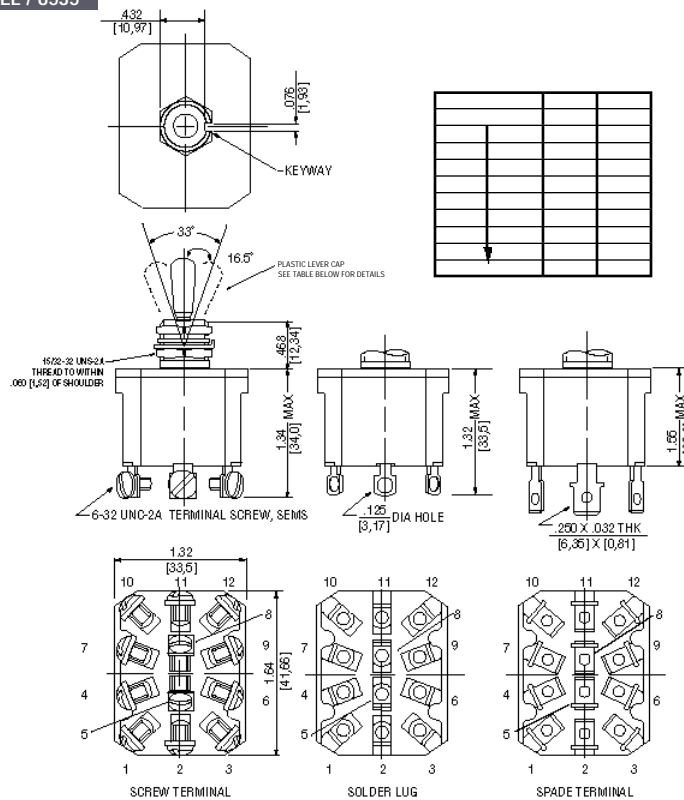
ECONOSWITCH—ENVIRONMENTALLY SEALED SWITCHES

Series—8533, 8534, 8535

Econoswitch Sealed Designerline Toggle Switches

TOGGLE SWITCHES

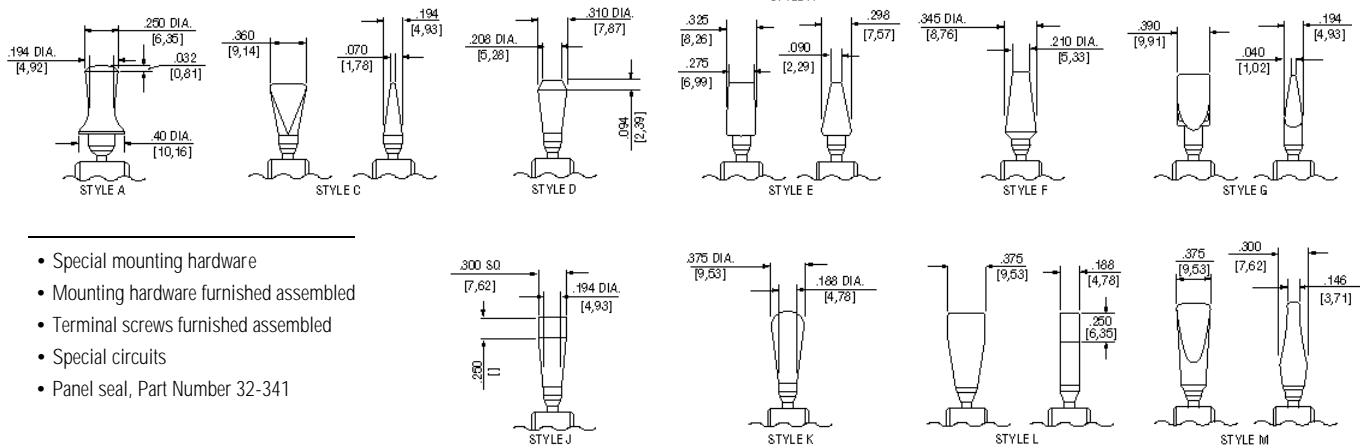
MOUNTING DIMENSIONS—FOUR POLE / 8535



Terminal Identification

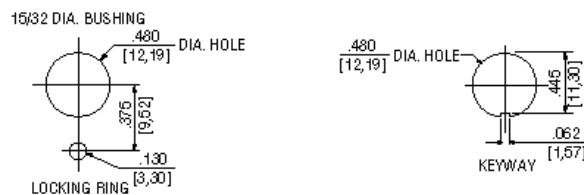
Non-functional terminals not supplied.

OPTIONS/ACCESSORIES



- Special mounting hardware
- Mounting hardware furnished assembled
- Terminal screws furnished assembled
- Special circuits
- Panel seal, Part Number 32-341

PANEL CUTOUT DIMENSIONS



STANDARD
0.00 = inches
[0.0] = mm

Mounting dimensions for reference only.