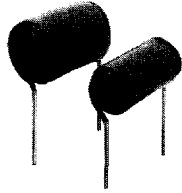




# Filter Inductors

## High Current



### ELECTRICAL SPECIFICATIONS

**Inductance:** Measured at 1.0V with zero DC current.

**Incremental Current:** The typical current at which the inductance will be decreased by 5% from its initial zero DC value.

**Operating Temperature:** - 55°C to + 125°C (no load).  
- 55°C to + 75°C (at full rated current).

### FEATURES

- Printed circuit mounting.
- Pre-tinned leads.
- Protected by polyolefin tubing - flame retardant UL type VW-1 per MIL-I-23053/5, Class 3 requirements.

### APPLICATIONS

Noise filtering for switching regulators, power amplifiers, power supplies and SCR and Triac control circuits.

**Current Rating:** Maximum continuous operating current (DC or RMS) based on a 50°C temperature rise.

### MECHANICAL SPECIFICATIONS

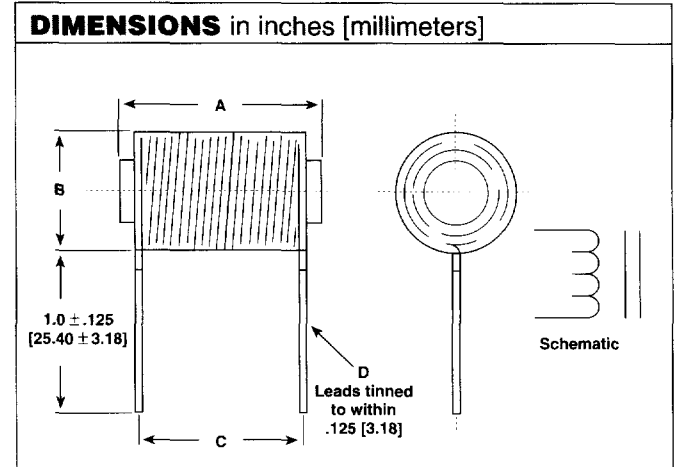
**Wire:** Solid soft copper.

**Terminals:** Extensions of the winding.

**Core Material:** Ferrite.

**Coating:** Polyolefin tubing.

STANDARD ELECTRICAL SPECIFICATIONS					
MODEL	IND. @ 1 kHz (μH)	TOL.	DCR MAX. (Ohms)	RATED CURRENT (Max. Amps)	INCREMENTAL CURRENT (Amps)
IH-3	5	± 10%	0.015	10.0	25
IH-3	10	± 10%	0.018	9.0	19
IH-3	27	± 10%	0.035	7.0	12
IH-3	50	± 10%	0.050	5.6	8
IH-3	100	± 10%	0.065	5.2	6
IH-3	150	± 10%	0.075	5.0	5
IH-3	250	± 10%	0.090	5.0	4
IH-5	5	± 10%	0.012	14.0	25
IH-5	10	± 10%	0.015	12.0	19
IH-5	27	± 10%	0.025	9.0	13
IH-5	50	± 10%	0.030	8.0	10
IH-5	68	± 10%	0.035	7.5	9
IH-5	100	± 10%	0.050	7.5	7
IH-5	150	± 10%	0.060	7.0	5
IH-10	5	± 10%	0.010	19.0	25
IH-10	10	± 10%	0.012	16.0	19
IH-10	27	± 10%	0.018	12.5	12
IH-10	50	± 10%	0.025	11.0	10
IH-10	68	± 10%	0.027	10.0	8
IH-10	100	± 10%	0.030	10.0	7
IH-15	5	± 10%	0.008	24.0	25
IH-15	10	± 10%	0.010	20.0	19
IH-15	27	± 10%	0.015	16.0	14
IH-15	50	± 10%	0.020	15.0	10



MARKING	
—	Vishay Dale
—	Model
—	Inductance value
—	Date code

ORDERING INFORMATION		
IH-5 MODEL	10μH INDUCTANCE VALUE	± 10% INDUCTANCE TOLERANCE

MODEL	IND. (μH)	A (Max.)	B (Max.)	C ± 0.062 [1.57]	D ± 0.005 [0.127]
IH-3	5	0.875 [22.23]	0.600 [15.24]	0.500 [12.70]	0.042 [1.067]
IH-3	10	1.125 [28.58]	0.625 [15.88]	0.687 [17.45]	0.042 [1.067]
IH-3	27	0.875 [22.23]	0.800 [20.32]	0.437 [11.10]	0.042 [1.067]
IH-3	50	0.875 [22.23]	0.800 [20.32]	0.750 [19.05]	0.042 [1.067]
IH-3	100	1.125 [28.58]	0.800 [20.32]	0.937 [23.80]	0.042 [1.067]
IH-3	150	1.375 [34.93]	0.800 [20.32]	1.062 [26.97]	0.042 [1.067]
IH-3	250	1.625 [41.28]	0.800 [20.32]	1.312 [33.32]	0.042 [1.067]
IH-5	5	0.875 [22.23]	0.625 [15.88]	0.750 [19.05]	0.053 [1.35]
IH-5	10	1.125 [28.58]	0.625 [15.88]	1.0 [25.40]	0.053 [1.35]
IH-5	27	0.875 [22.23]	0.840 [21.34]	0.562 [14.27]	0.053 [1.35]
IH-5	50	1.125 [28.58]	0.840 [21.34]	0.750 [19.05]	0.053 [1.35]
IH-5	68	1.125 [28.58]	0.860 [21.84]	0.875 [22.23]	0.053 [1.35]
IH-5	100	1.375 [34.93]	0.860 [21.84]	1.0 [25.40]	0.053 [1.35]
IH-5	150	1.625 [41.28]	0.860 [21.84]	1.250 [31.75]	0.053 [1.35]
IH-10	5	1.125 [28.58]	0.635 [16.13]	0.812 [20.62]	0.065 [1.65]
IH-10	10	1.375 [34.93]	0.635 [16.13]	1.218 [30.94]	0.065 [1.65]
IH-10	27	1.125 [28.58]	0.935 [23.75]	0.687 [17.45]	0.065 [1.65]
IH-10	50	1.375 [34.93]	0.935 [23.75]	0.937 [23.80]	0.065 [1.65]
IH-10	68	1.375 [34.93]	0.935 [23.75]	1.125 [28.58]	0.065 [1.65]
IH-10	100	1.625 [41.28]	0.935 [23.75]	1.312 [33.32]	0.065 [1.65]
IH-15	5	1.375 [34.93]	0.700 [17.78]	0.937 [23.80]	0.082 [2.08]
IH-15	10	1.687 [42.85]	0.700 [17.78]	1.50 [38.10]	0.082 [2.08]
IH-15	27	1.375 [34.93]	1.0 [25.40]	0.937 [23.80]	0.082 [2.08]
IH-15	50	1.625 [41.28]	1.0 [25.40]	1.125 [28.58]	0.082 [2.08]