

# SCG2500AI Synchronous Clock Generator

**CONNOR  
WINFIELD**



2111 Comprehensive Drive  
Aurora, Illinois 60505  
Phone: 630-851-4722  
Fax: 630-851-5040  
[www.conwin.com](http://www.conwin.com)



## General Description

The SCG2500AI is a mixed-signal phase lock loop generating CMOS outputs from an intrinsically low jitter voltage controlled crystal oscillator. The SCG2500AI is based on Connor-Winfield's SCG2500 series product line.

The SCG2500AI can lock to one of two possible reference inputs at 8 kHz that are selectable using one input select pin. The SCG2500AI has an improved filter compared to the SCG2500. The new filter allows the SCG2500AI to more closely track the selected input reference and lowers switching MTIEs.

The SCG2500AI provides 3 alarm outputs, Loss of Reference A, (LOR A) Loss of Reference B, (LOR B), and Loss of Lock, (LOL) as compared to the SCG2500's combined alarms. LOL alarm is active when the phase error exceeds 1us. Switching references within 100 ns will then comply with GR-253-CORE requirements. LOR A and LOR B independently monitor the input references. If Both references are lost the unit will go into Free Run automatically. When both references are lost, the unit should be forced into Free Run (pin 5 = 1). LOR A and LOR B can then be monitored until the references return. Refer to Table 6 for more operational details.

The reference output at 8 kHz is derived from the oscillator output. Phase alignment of the 8 kHz output to the input cannot be guaranteed with dual input units.

The package maximum dimensions are .780" x .830" x .350" on a six layer FR4 board with surface mount pins. Parts are assembled using high temperature solder to withstand surface mount reflow processes.

Tri-State is not available with this model.

## Features

- Industrial Temperature Range (-40°- 85°C)
- Phase Locked Output Frequency Control
- Intrinsically Low Jitter Crystal Oscillator
- Two Selectable References @ 8 kHz
- Hitless Reference Switching
- 2 Independent Reference Monitors
- LOL Alarm Output
- Force Free Run Function
- Automatic Free Run Operation upon loss of both references
- Input Duty Cycle Tolerant
- 3.3 Volt Power Supply
- Small Size: 0.78" x 0.83" x 0.35" maximum
- Surface Mount, DIL Package

## Quick Overview

Ref_In	Osc_Out	Ref_Out
8 kHz	19.44 MHz	8 kHz
8 kHz	51.84 MHz	8 kHz

US Headquarters:  
630-851-4722  
European Headquarters:  
+353-61-472221

## Absolute Maximum Rating

Table 1

Symbol	Parameter	Minimum	Nominal	Maximum	Units	Notes
V <sub>CC</sub>	Power Supply Voltage	-0.5	-	+4.0	Volts	
V <sub>I</sub>	Input Voltage	-0.5	-	+5.5	Volts	
T <sub>S</sub>	Storage Temperature	-65.0	-	+150.0	°C	

## Operating Specifications

Table 2

Parameter	Specifications	Notes
Voltage	3.3V ±5%	1.0
Current	150 mA @ 3.46V	
Input Frequency Ref 1 and Ref 2	8 kHz	2.0
Available Oscillator Output Frequencies	19.44 MHz, 51.84 MHz	
Reference Output	8 kHz	6.0
Temperature Range	-40° to 85°C	
Input Jitter Tolerance <i>(Jitter Frequencies ≥ 10 Hz)</i>	≥ 1us Typical	
Jitter Bandwidth	< 10 Hz	
Acquisition Time... ...from a 10ppm frequency step. ...from a reference switch. ...during start-up or from Free Run.	Apprx. 1 sec. for frequency lock < 1 sec. for phase lock 30 - 60 sec. for phase lock	
Time to LOL alarm off	TBD	
Capture/Pull-In Range	± 32 ppm Minimum	
Output Duty Cycle	45/55 % Min/Max @ 50% Level	
Output Rise and Fall Time	3 nS @ 20% to 80% output level	
Output Load	30 pF	
Alarm	LOR A, LOR B, LOL	
Free Run Accuracy	±20 ppm	
Package	Fr4 SM 0.78" x 0.83" x 0.350" (Maximum)	
MTIE @ Synchronization Rearrangement	GR-253-CORE, 1999 R5-136	4.0, 4.1
Dynamic Offset	± 40 ns	9.0

## Input and Output Characteristics

Table 3

Symbol	Parameter	Minimum	Nominal	Maximum	Units	Notes
V <sub>IH</sub>	High level input voltage	2.0	-	5.5	V	
V <sub>IL</sub>	Low level input voltage	0	-	0.8	V	
T <sub>IO</sub>	I/O to output valid	-	-	10	nS	
C <sub>OUT</sub>	Output capacitance	-	-	10	pF	
V <sub>HO</sub>	High level output voltage Ioh = -4mA	2.40	-	-	-	Vcc Min
V <sub>IO</sub>	Low Level output voltage Io1 = 8mA	-	-	0.4	-	Vcc Max
T <sub>IR</sub>	Input reference signal pulse width	30	-	-	nS	

## Output Jitter Specifications

Table 4

Frequency (MHz)	Jitter BW 10 Hz - 20 MHz		SONET Jitter BW 12 kHz - 20 MHz	
	pS (RMS)	m UI	pS (RMS)	m UI
19.44	10 Typ.	0.194 Typ.	1 Max., 0.5 Typ.	0.019 Max.
51.84	10 Typ.	0.518 Typ.	1 Max., 0.5 Typ.	0.052 Max.

## Operational Table

Table 5

INPUTS				OUTPUTS				
Select A/B	Ref A	Ref B	Force Free Run	Oscillator Output	Ref Out	LOL	LOR A	LOR B
X	A	A	1	FR	FR	0	1	1
X	NA	A	1	FR	FR	0	0	1
X	A	NA	1	FR	FR	0	1	0
X	NA	NA	0 **	FR	FR	0	0	0
0	A	A	0	RA	RA	1	1	1
0	A	NA	0	RA	RA	1	1	0
0	NA	A	0	U	U	0	0	1
1	A	A	0	RB	RB	1	1	1
1	NA	A	0	RB	RB	1	0	1
1	A	NA	0	U	U	0	1	0

Notes:

A = Active

NA = Not Active

FR = Free Run

RA = Locked to Reference A

RB = Locked to Reference B

U = Unstable (See note 7)

X = Don't Care

\*\* See Note 8.0

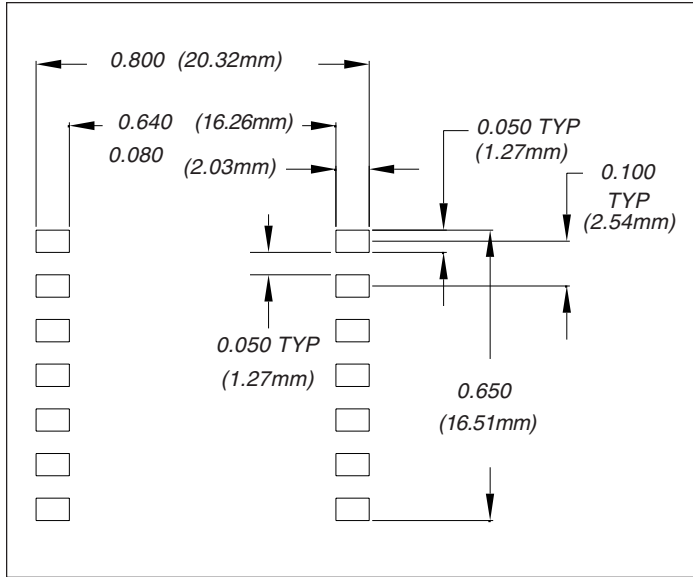
NOTES:

- 1.0 Requires external regulation
- 2.0 Externally selectable via Input Select AB
- 3.0 From a 20 ppm offset in reference frequency
- 4.0 Entry into Free Run doesn't meet requirement for initial 2.33 seconds of self-timing
- 4.1 If the selected reference is removed, system response to the LOL ALARM must be less than 100ns
- 5.0 Upon power-up, allow 60 seconds for the SCG to obtain tight phase lock.
- 6.0 Static offset will accumulate with each reference switch for the Reference Output only.
- 7.0 Frequency will drift to lower limit rail if not switched.
- 8.0 Loss of both references will automatically force Free Run. Change the Force Free Run (pin 5) to 1 upon detection of this condition.
- 9.0 Phase Drift from -40° to 85°C.



## Circuit Board Footprint

Figure 1



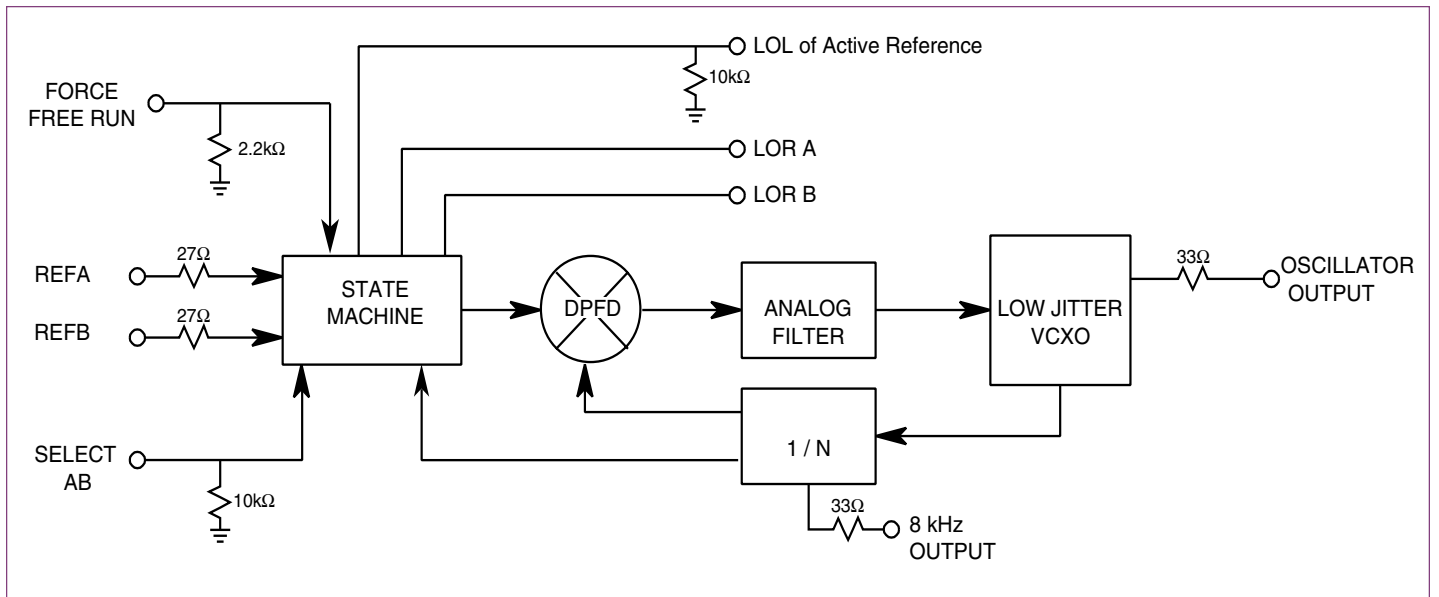
## Pin Connections

Table 6

Pin	Connection
1	Filtered 8 kHz Output
2	TCK (Do not connect, Factory use only)
3	TMS (Do not connect, Factory use only)
4	Ground
5	Force Free Run / TDI (1 = Free Run)
6	LOR A (1=Active Reference, 0=LOR)
7	REF B
8	REF A
9	Oscillator Output
10	LOR B (1=Active Reference, 0=LOR)
11	Vcc
12	TDO (Do not connect, Factory use only)
13	LOL of active reference (1=Locked, 0=Unlocked)
14	Input Reference Select AB (A = 0, B = 1)

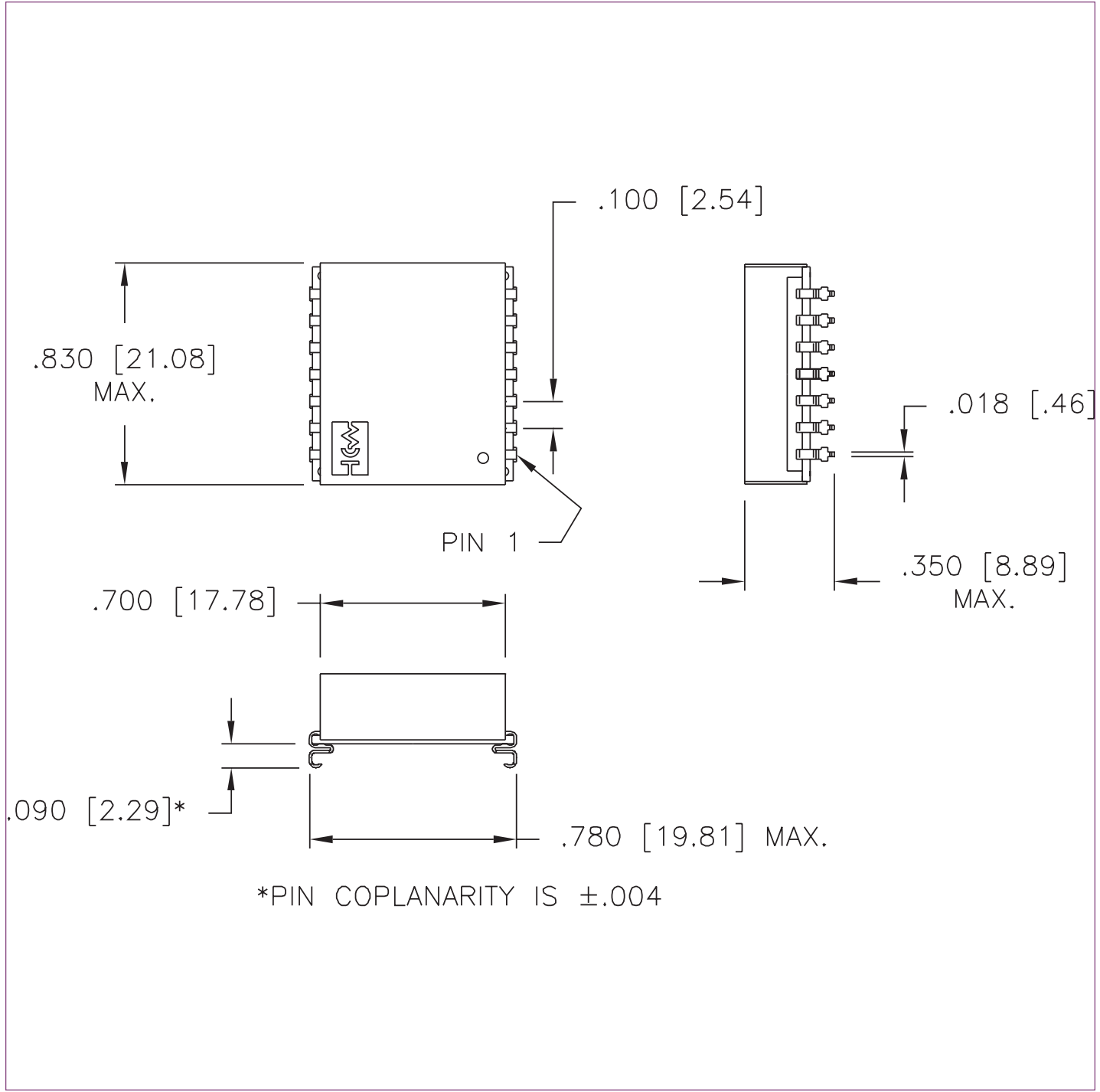
## Block Diagram

Figure 2



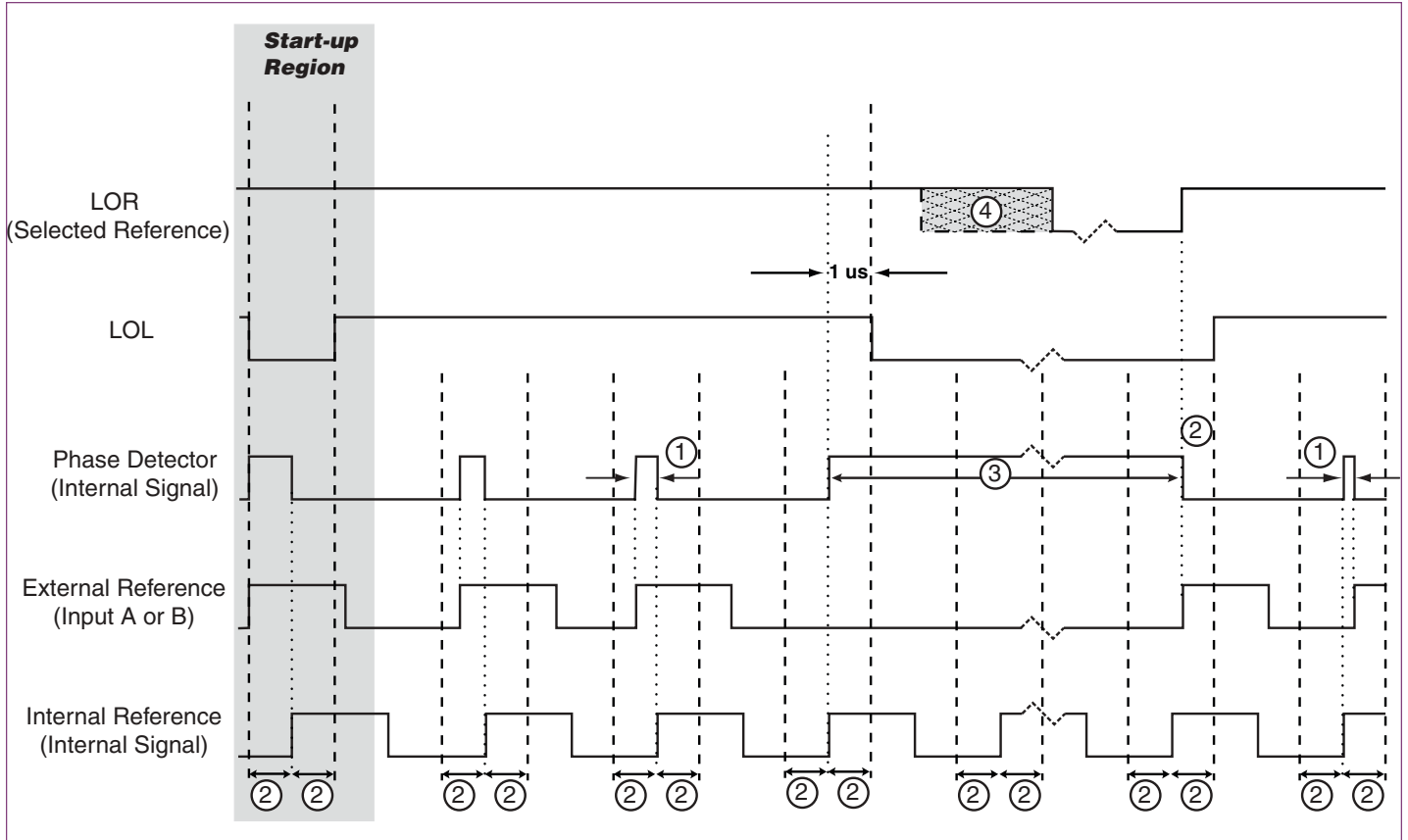
# Package Maximum Dimensions

Figure 3



# LOR Alarm Diagram

Figure 4



## Alarm Timing Legend

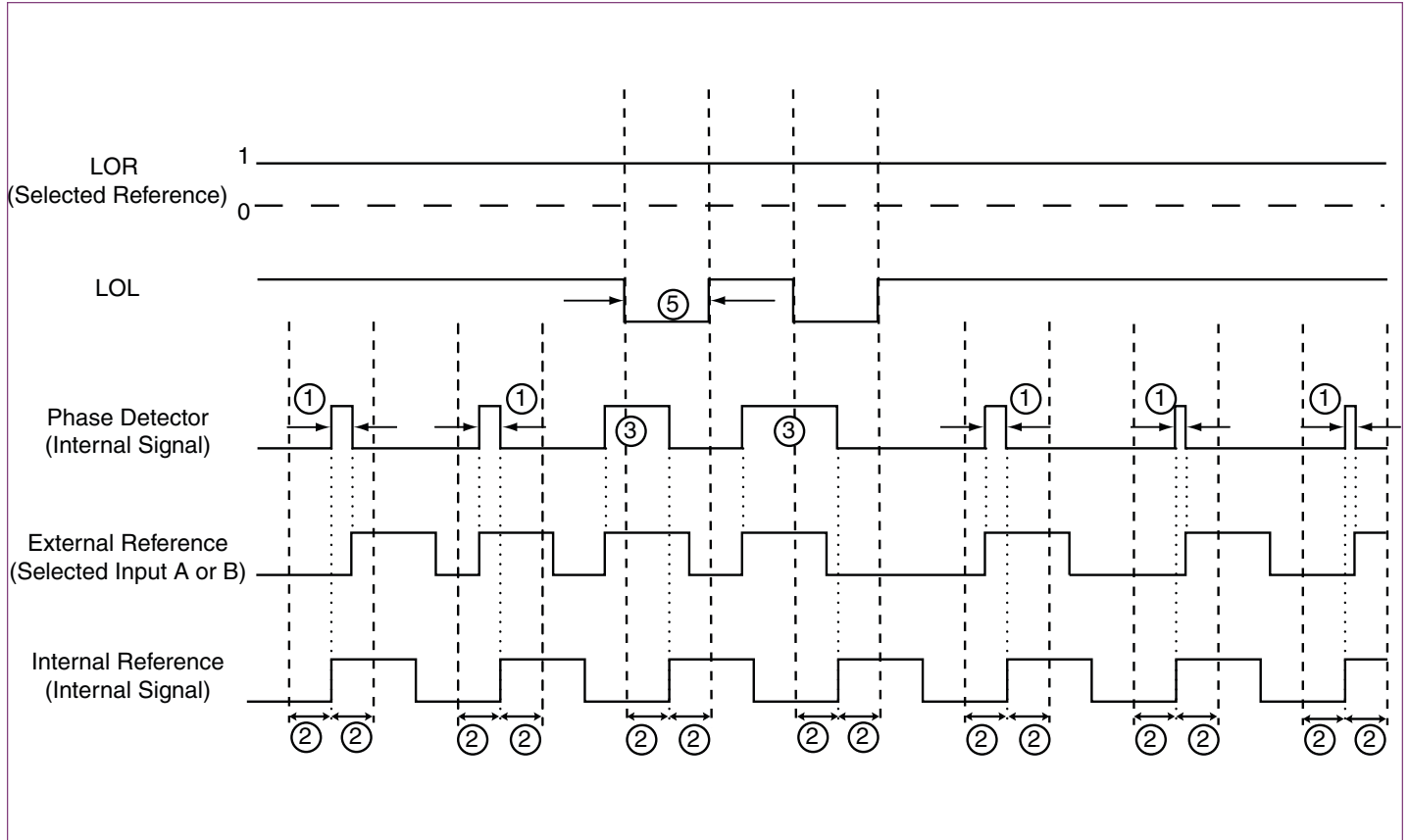
Use for all alarm timing diagrams

Table 7

8 kHz Reference Input	
①	< 1 μsec
②	1 μsec
③	> 1 μsec
④	124 μsec(min) to 374 μsec(max) after LOL
⑤	Minimum pulse width = 2 μs
Start-up Region	During Start-up, The LOL Alarm will pulse during the few seconds of operation

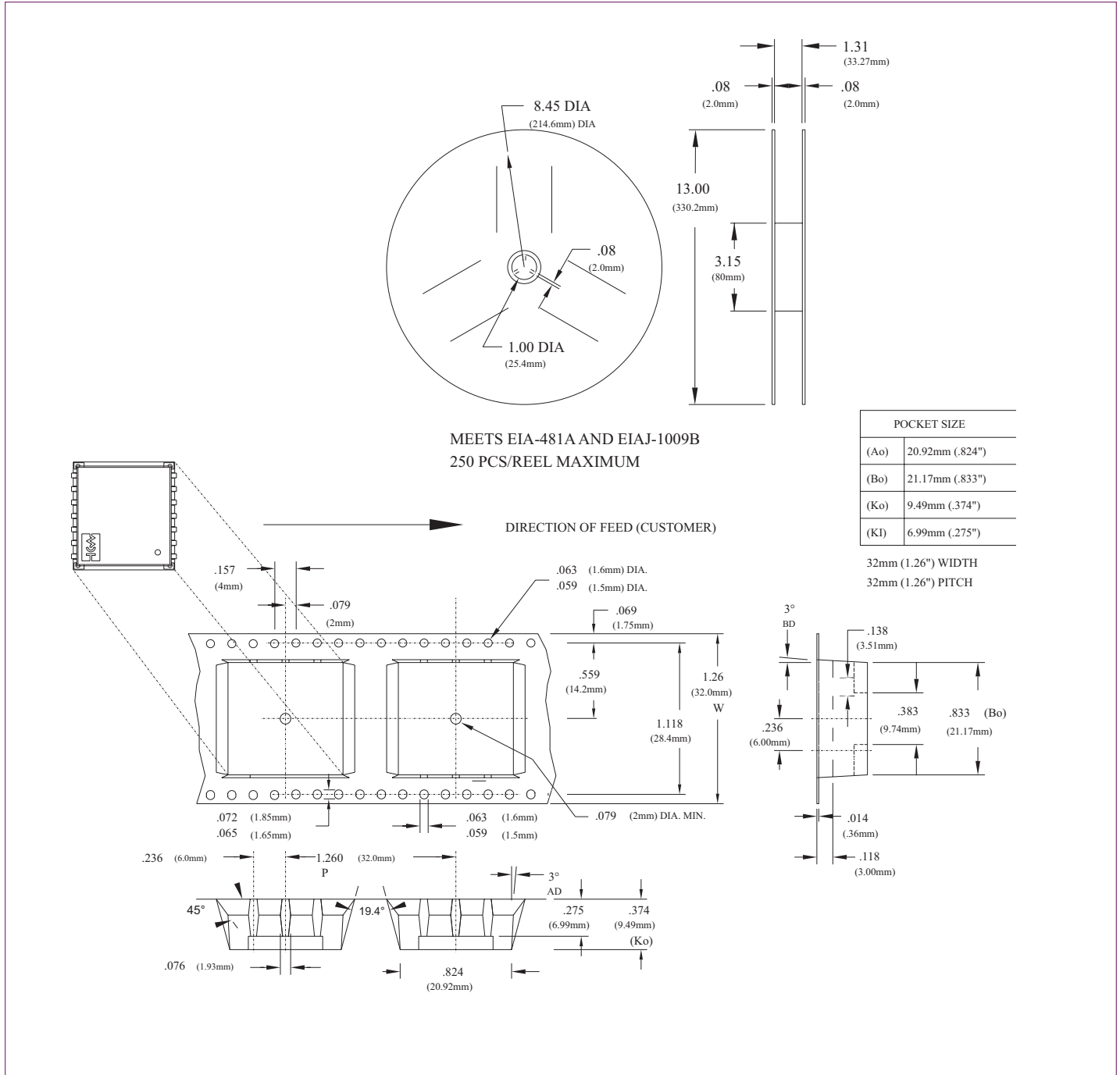
# LOL Alarm Diagram

Figure 5



# Tape and Reel Packaging

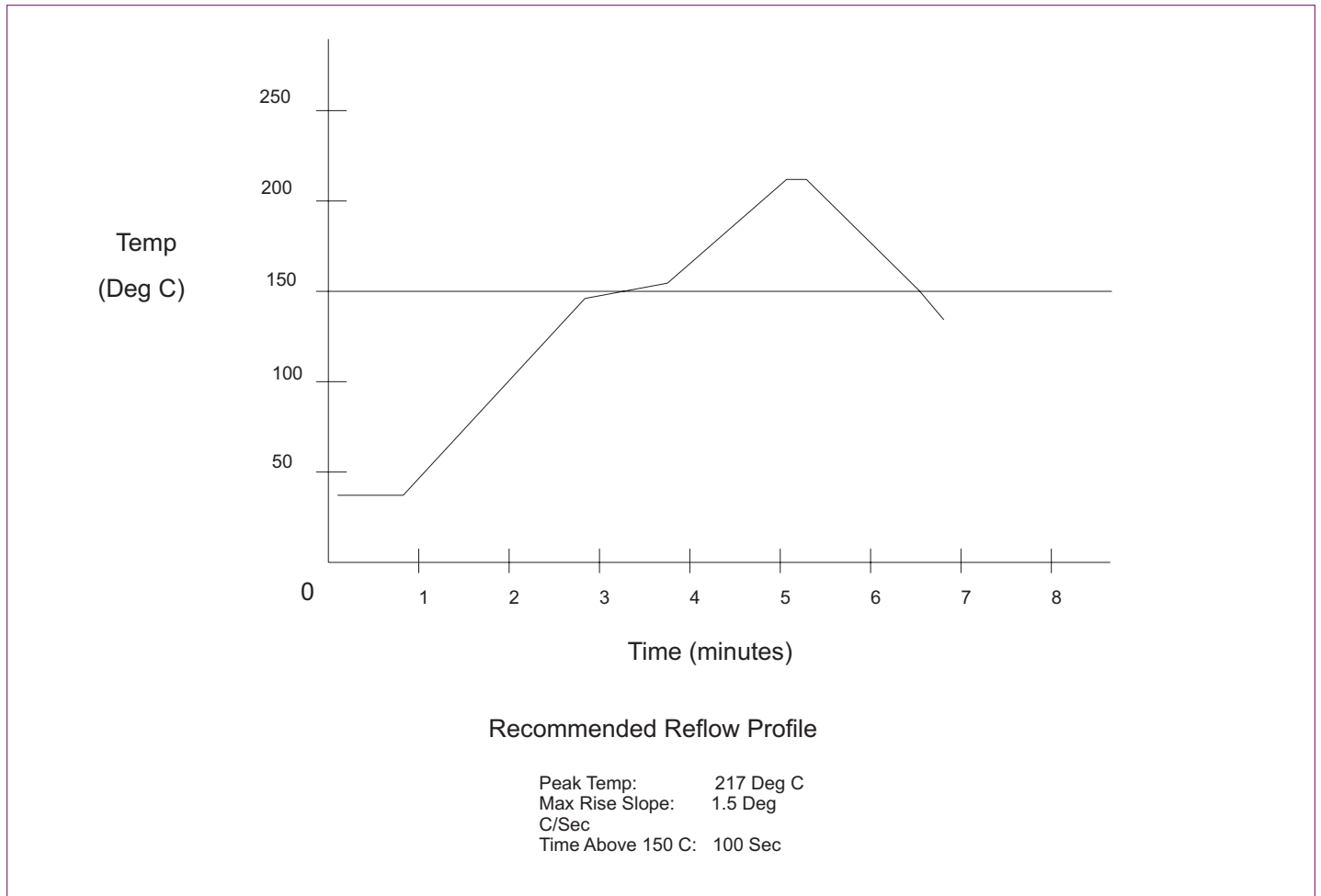
Figure 6





## Solder Profile

Figure 7



## Ordering Information

SCG{XXXX}-{FFF.FFF}{M}

XXXX equals a specific model (2500AI)

FFF.FFF equals the Oscillator Output frequency ( 019.44, 051.84, or 077.76 )


M equals MHz and is added to all part numbers

Example: To order an SCG2500AI with an Oscillator Output of 19.44 MHz,  
Order part number SCG2500AI-019.44M

Please contact Connor-Winfield for other frequencies that may be available.







---

Revision	Revision Date	Note
P00	3/7/03	Preliminary Informational Release

---