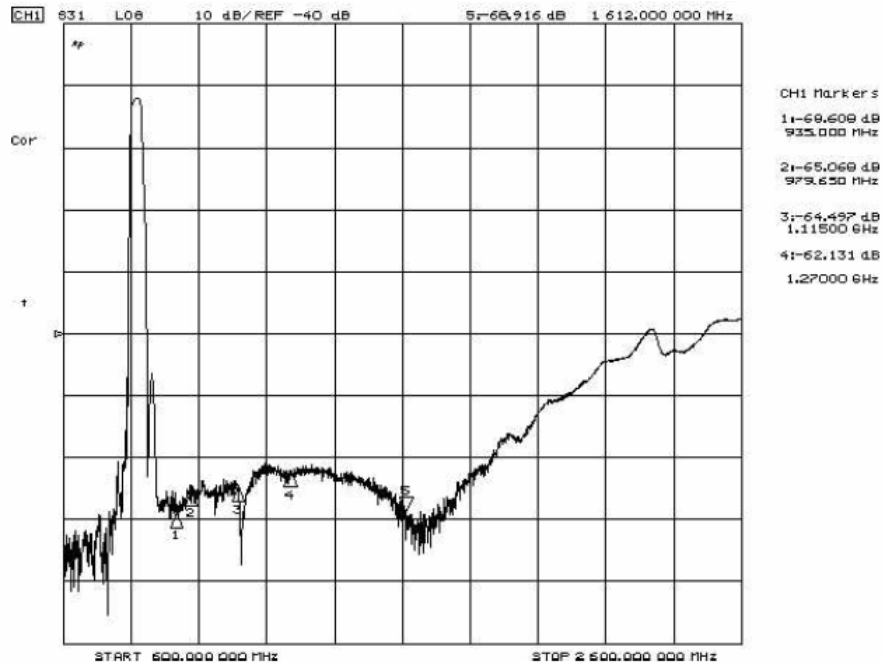
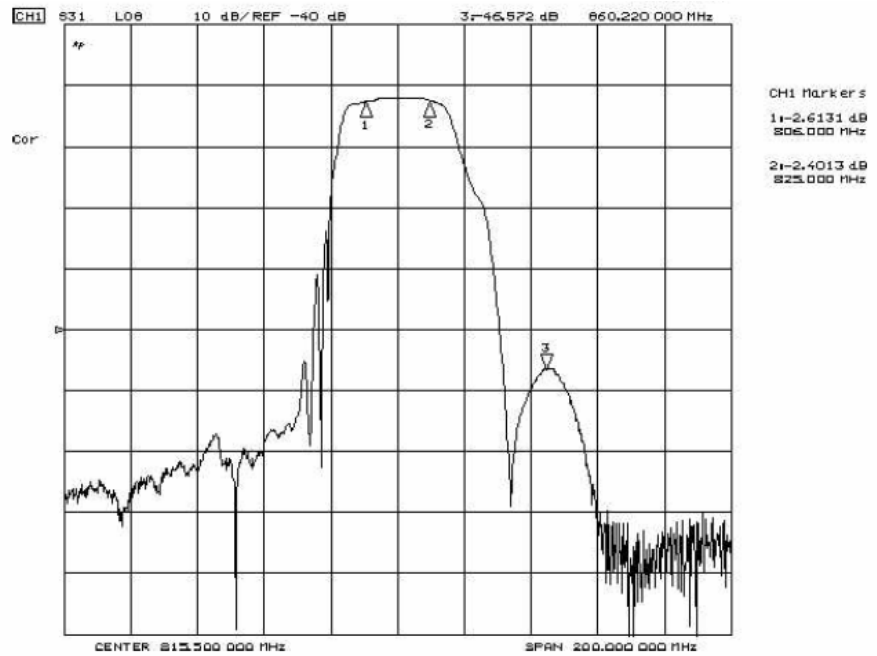




DESCRIPTION

806 to 825 MHz surface acoustic wave (SAW) bandpass filter in a 3.0x3.0 mm SMD package to be used as an RF front end filter for iDEN and land mobile radio.

TYPICAL PERFORMANCE





MAXIMUM RATINGS

Parameter	Min	Max	Units
Operating Temperature Range	-30	+70	°C
Storage Temperature Range	-40	+85	°C
Input Power Level		+7	dBm

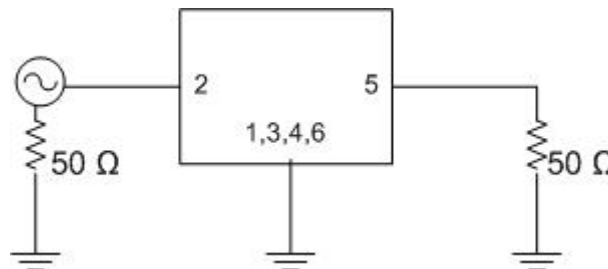
SPECIFICATION

Parameter	Min	Typ	Max	Units
Center Frequency F_c		815.5		MHz
Bandwidth	19			MHz
Insertion Loss ¹		2.6	3.5	dB
Passband Amplitude Ripple ¹		0.6	1.3	dB
Group Delay Variation ¹		18	50	nsec
Stopband Rejection ² , 851 to 866 MHz	40	46		dB
Stopband Rejection ² , 935 to 940 MHz	35	68		dB
Stopband Rejection ² , 960.65 to 979.65 MHz	35	65		dB
Stopband Rejection ² , 1269.95 to 1288.95 MHz	40	62		dB
Stopband Rejection ² , 1612 to 1650 MHz	35	68		
Stopband Rejection ² , 1650 to 2600 MHz	25	38		
VSWR ¹		1.7	2.0	
Source/Load Impedance	50/50			Ω

- Notes: 1. Within passband: 806 to 825 MHz
2. Rejection relative to insertion loss

TEST CIRCUIT

50 ohm single-ended
No matching circuit required

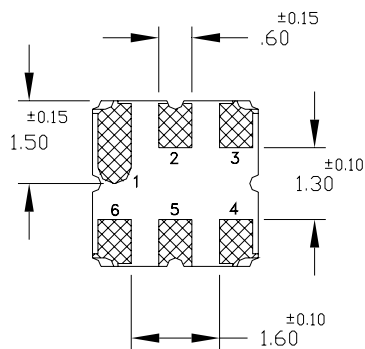
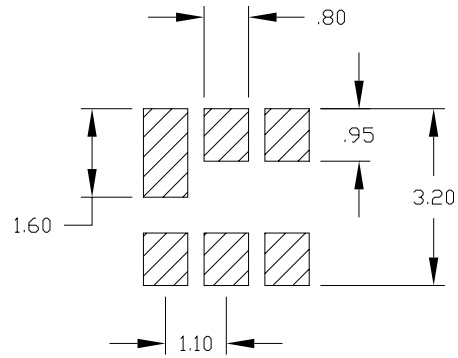
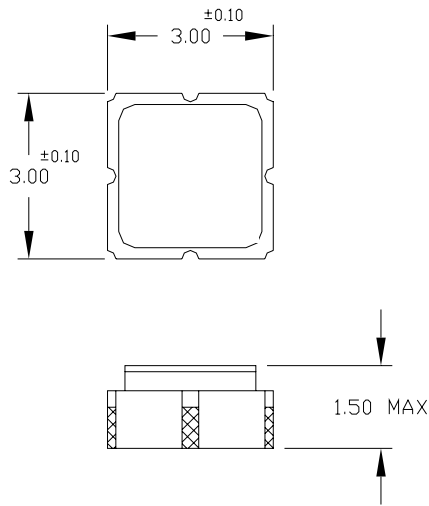




PACKAGE OUTLINE AND SUGGESTED PCB FOOTPRINT

3.0 X 3.0 MM, SMP

SUGGESTED PCB FOOTPRINT



PIN NO.	DESCRIPTION
2	INPUT
5	OUTPUT
1, 3, 4, 6	GROUND

NOTES:
DIMENSIONS IN MM

All specifications are believed to be accurate and reliable. However, ICS reserves the right to make changes without notice.
© 2005 Integrated Circuit Systems, Inc. All rights reserved.