

# Mini Push Terminals

## Outline

With rear panels of many types of electronic equipment more densely mounted as equipment is further downsized, requirements for smaller terminals are growing. These mini-push terminals are to meet such requirements.

## Features

1. Space-effectiveness is ensured with this small (18% reduction from our previous equivalent products) and light design.
2. Attachment of ground terminals is a matter of ease.
3. A wide repertoire of push terminal is available including super small configuration design.

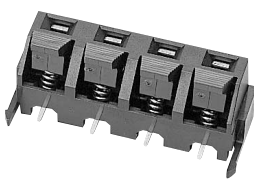
## Products Variation

Poles	Part No.	Terminal Form	Terminal Pitch	Earth Terminal	Page
4P	LQR0410-□□18F	Right Angle	10	—	63
	LQR1410-□□04F	Right Angle	10	○	64
	LQR0410-0□17F	Right Angle	10	○	64
6P	LQR0610-0□04F	Right Angle	10	○	64
8P	LQR0810-0□11F	Right Angle	10	○	65
10P	LQR1910-0001F	Right Angle	10	○	65
12P	LQR1910-0003F	Right Angle	10	○	65

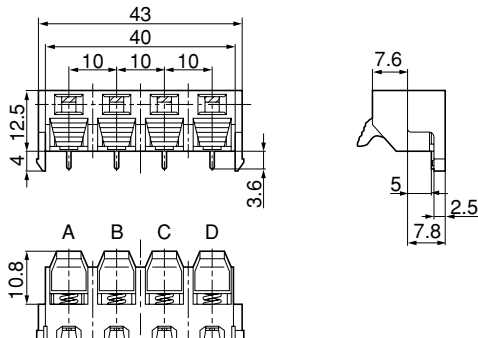
## Specifications

- Contact Resistance : 30mΩ max.  
(with AWG20 soft : copper wire)
- Lead Holding Force : 8N min.  
(with AWG20 soft copper wire)

**LQR0410-□□18F**

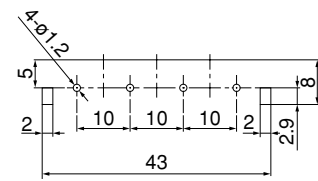


**Right Angle (4P)**



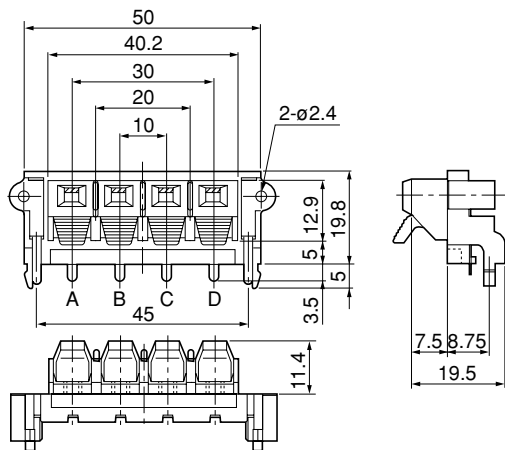
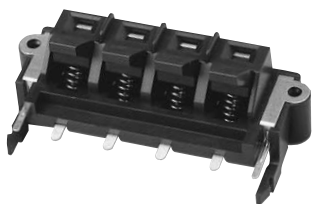
□□	Arrangement			
	A	B	C	D
00	Red	Black	Black	Red
01	Red	Black	Red	Black
02	Black	Black	Black	Black
03	Gray	Blue	Black	Red

P.C. Board Dimension (The Pattern Side)



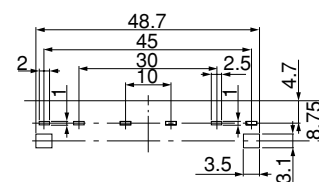
# Mini Push Terminals

## LQR1410-□□04F



□□	Arrangement			
	A	B	C	D
00	Red	Black	Black	Red
01	Red	Black	Red	Black
02	Black	Black	Black	Black
03	Gray	Blue	Black	Red

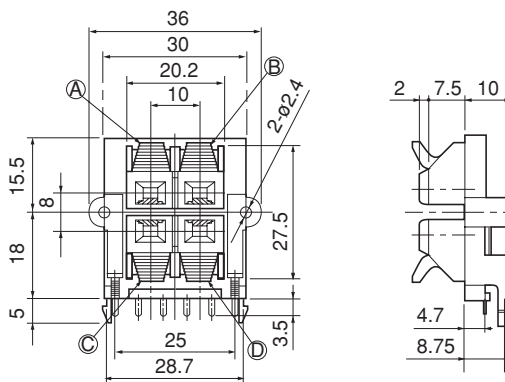
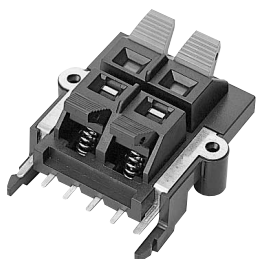
P.C. Board Dimension (The Pattern Side)



Right Angle (4P)

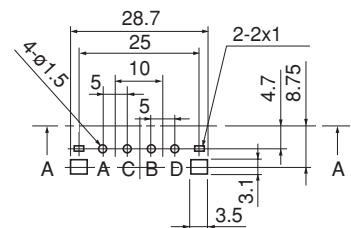
<Earth Terminal>

## LQR0410-0□17F



□	Arrangement			
	A	B	C	D
1	Red	Red	Black	Black
2	Red	Black	Red	Black
3	Black	Black	Red	Red
4	Black	Red	Black	Red
5	Gray	Black	Gray	Black
6	Blue	Black	Blue	Black

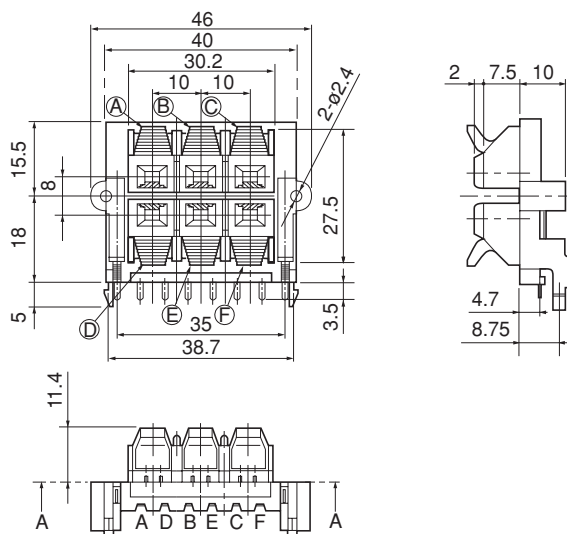
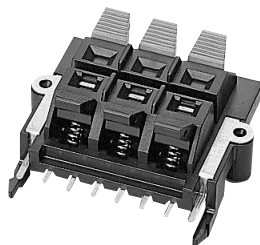
P.C. Board Dimension (The Pattern Side)



Right Angle (4P)

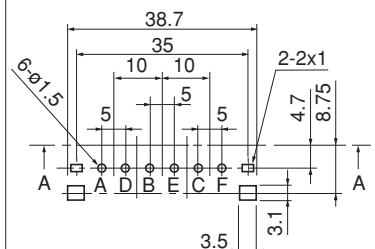
<Earth Terminal>

## LQR0610-0□04F



□	Arrangement					
	A	B	C	D	E	F
1	Red	Red	Red	Black	Black	Black
2	Black	Black	Black	Red	Red	Red

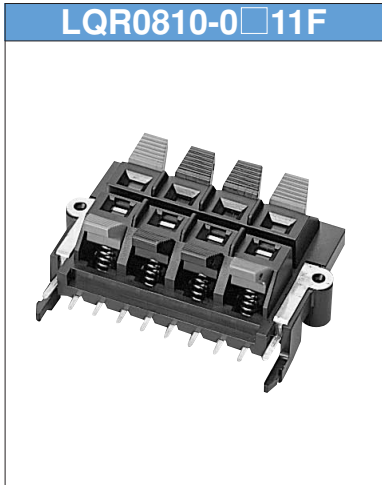
P.C. Board Dimension (The Pattern Side)



Right Angle (6P)

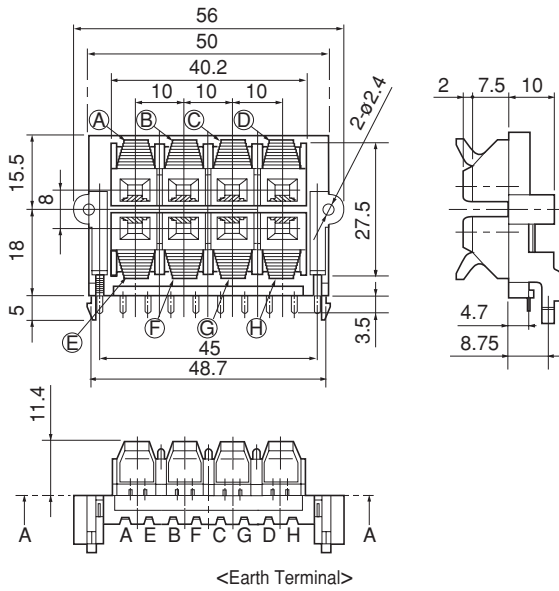
<Earth Terminal>

# Mini Push Terminals



**LQR0810-0□11F**

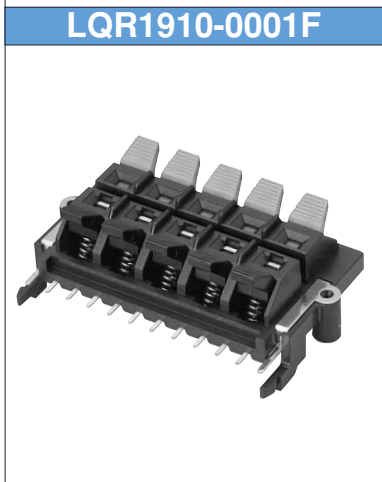
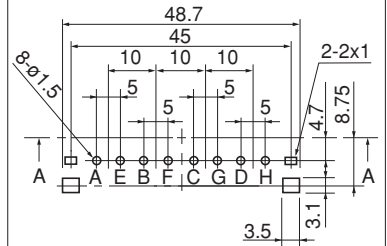
**Right Angle (8P)**



<Earth Terminal>

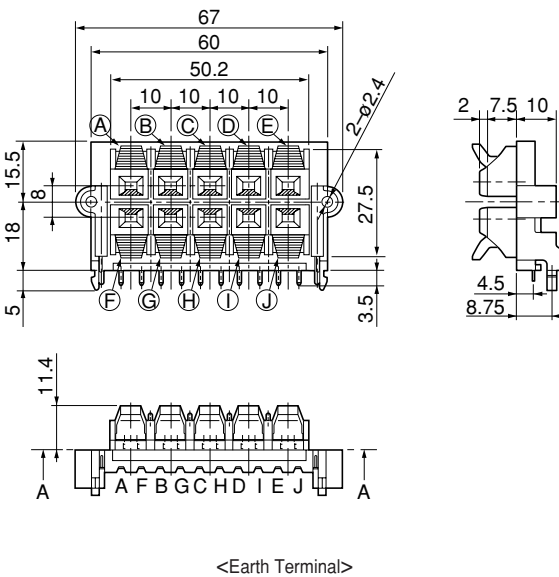
□	Arrangement							
	A	B	C	D	E	F	G	H
1	Red	Black	Black	Red	Red	Black	Black	Red
2	Red	Black	Blue	Gray	Red	Black	Blue	Gray
3	Red	Red	Red	Red	Black	Black	Black	Black
4	Black	Black	Black	Black	Red	Red	Red	Red
5	Red	Black	Black	Blue	Red	Black	Black	Blue

P.C. Board Dimension (The Pattern Side)



**LQR1910-0001F**

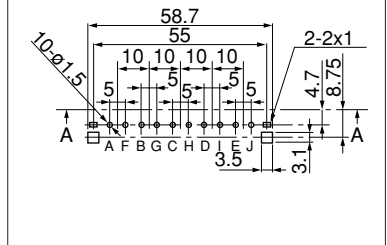
**Right Angle (10P)**



<Earth Terminal>

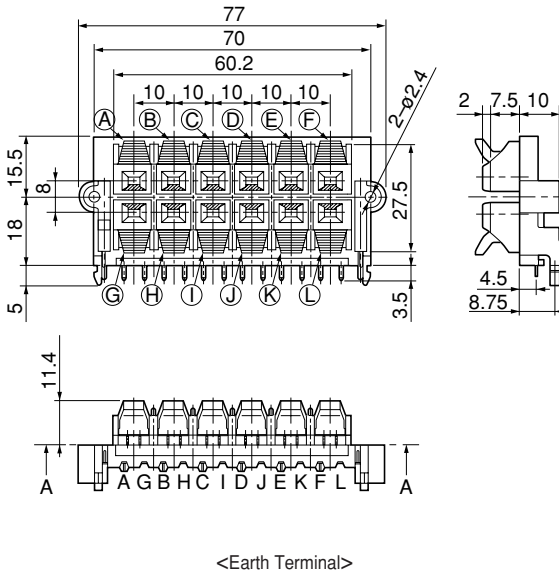
Arrangement									
A	B	C	D	E	F	G	H	I	J
Red	Red	Red	Red	Red	Black	Black	Black	Black	Black

P.C. Board Dimension (The Pattern Side)



**LQR1910-0003F**

**Right Angle (12P)**



<Earth Terminal>

Arrangement					
A	B	C	D	E	F
Purple	Gray	Blue	Green	Red	White
G	H	I	J	K	L
Black	Black	Black	Black	Black	Black

P.C. Board Dimension (The Pattern Side)

