

SPECIFICATIONS

Electrical

Rating: 20mA 15V DC Max
Contact Resistance: 100mΩ Max
Insulation Resistance: 100MΩ Min
Dielectric Withstanding Voltage: 250V AC for 1 Minute
Bounce: 10ms Max

Mechanical

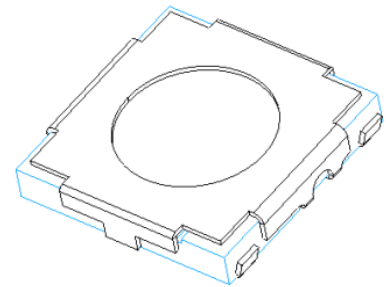
Operating Force & Durability: 100±30gf 100000 Cycles
 160±50gf 500000 Cycles
 260±80gf 100000 Cycles

Travel: 0.25+0.1/-0.20mm
Solderability: 240°C Max. 20s Min

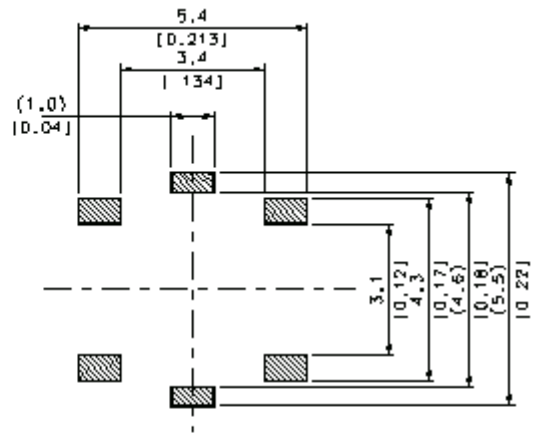
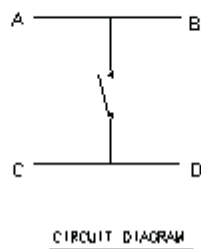
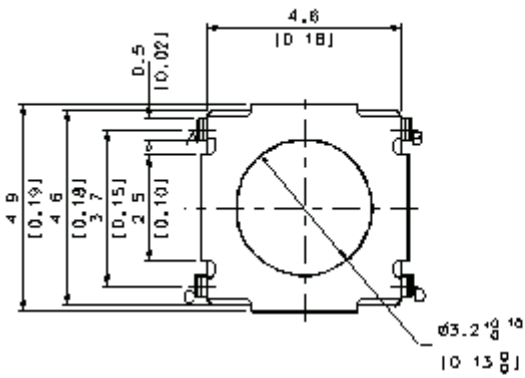
Physical

Operating Temperatures: -20°C to +70°C
Package: 4000PCS/Reel, 10Reels/Package

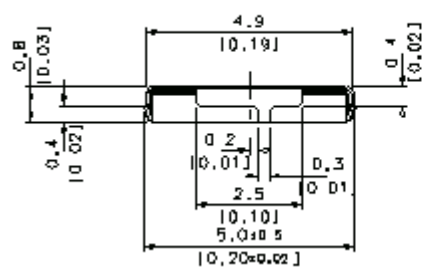
Tact Switch
1BT002 J Series
Vertical SMT Type



DRAWING

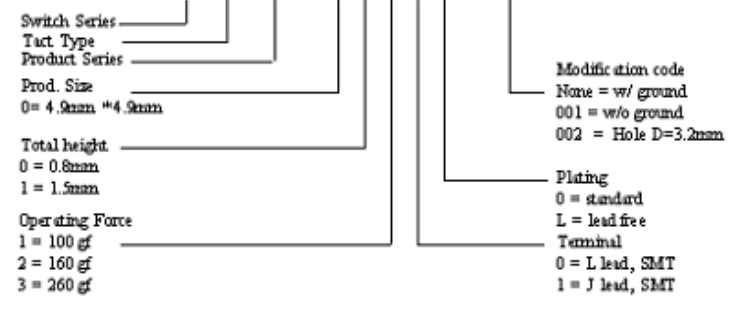


RECOMMENDED P.C.B. LAYOUT
 Recommended and pattern



ORDERING INFORMATION

PRODUCT NO.: 1BT002-0***-***



1BT002-001*-002	100±30gf
1BT002-0021*-002	160±50gf
1BT002-0031*-002	260±80gf
P/N	OPERATING FORCE