

DIP SOCKETS ICA SERIES

Mates with:
AP, APS, APO,
APA, APE

ICA

ROW SPACING & NO. OF CONTACTS

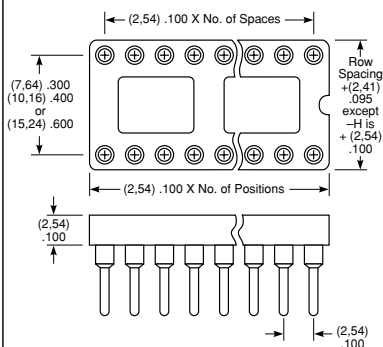
STYLE OPTION

PLATING OPTION

OPTION
(Leave Blank for Standard Version)

Specify from chart below

- Side & end stackable
- Great for auto insertion
- Open body design



	Row Space	No. of Contacts
-308	.300 (7,62)	08
-314		14
-316		16
-318		18
-320		20
-322*		22
-324		24
-328		28
-422	.400 (10,16)	22
-624	.600 (15,24)	24
-628		28
-632		32
-640		40
-648		48

GG

= 30μ" (0,76mm)
Gold contact
10μ" (0,25mm)
Gold Shell

GT

= 30μ" (0,76mm)
Gold contact
200μ" (5,08mm)
Tin Shell

TT

= 200μ" (5,08mm) Tin contact and shell (-S, -ZS, -W, -ZW only)

ST

= 10μ" (0,25mm)
Gold contact
200μ" (5,08mm)
Tin shell (Styles -S & -ZS only)

-2
= .360 (9,14)
Tail

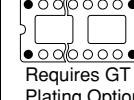
Wire-Wrap Option

Requires Style -W or -ZW
Specify desired suffix for shorter Wire-Wrap tail.

-3
= .260 (6,60)
Tail

-L
= Locking Socket

Requires Style -S or -ZS



SPECIFICATIONS

For complete specifications see www.samtec.com/ICA

Insulator Material: Black Glass Filled Polyester
Flammability Rating: UL 94V-0



Insulation Resistance: 5000 MΩ min

Temperature Range: -65°C to +105°C with Tin
-65°C to +125°C with Gold

Withstanding Voltage: 1000 VRMS

Contact: BeCu
Shell: Brass except style K Phosphor Bronze

Plating: Au or Sn over 50μ" Ni
Current Rating: 1A
Contact Resistance: 10 mΩ max

Lead Size Range: .015" to .022" (0,38mm to 0,56mm) DIA and most IC leads

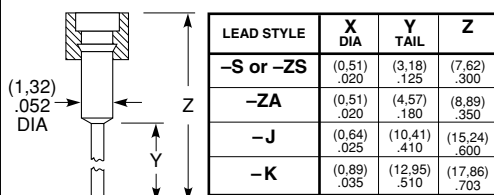
Insertion Force: Standard = 9 oz avg, 16 oz max; Low Insertion Force = 2.5 oz avg, 5.5 oz max

Withdrawal Force: Standard = 2.5 oz avg, 1.5 oz min; Low Insertion Force = 2.0 oz avg, 0.35 oz min

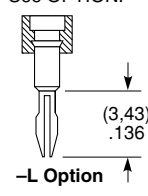
Note: Some sizes, styles and options are non-standard, non-returnable.

-S, -ZS, -ZA, -J, or -K

= Printed Circuit
-ZS & -ZA = Low Insertion Force



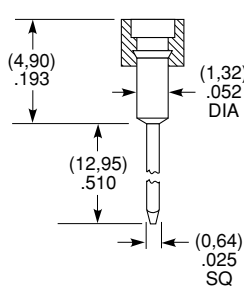
Locking lead available with -S and -ZS. See OPTION.



Insertion Depth = .095" (2,41) to .145" (3,68):
Style S Component Part No. = SC-1P1
Style ZS Component Part No. = EZ-1P1
Style ZA Component Part No. = EZ-6P1
Option L Component Part No. = SC-1L1 or EZ-1L1
Insertion Depth = .095" (2,41) to .138" (3,51)
Style J Component Part No. = SC-1P3
Insertion Depth = .125" (3,18) to .157" (3,99)
Style K Component Part No. = SC-2P1

-W, -ZW

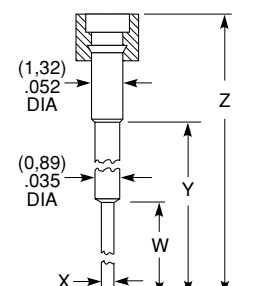
= Wire-Wrap
ZW = Low Insertion Force



Insertion Depth = .125" (3,18) to .157" (3,99)
Style W Component Part No. = SC-1W1(1)
Style ZW Component Part No. = EZ-1W1(1)
Style W-2 Component Part No. = SC-1W1(2)
Style W-2 Component Part No. = EZ-1W1(2)
Style W-3 Component Part No. = SC-1W1(3)
Style W-3 Component Part No. = EZ-1W1(3)

-ZE or -ZH

= Elevated
Low Insertion Force



Insertion Depth = .125" (3,18) to .170" (4,32)
Style ZE Component Part No. = EZ-2P3
Insertion Depth = .125" (3,18) to .145" (3,68)
Style ZH Component Part No. = EZ-2P2

Due to technical progress, all designs, specifications and components are subject to change without notice.

WWW.SAMTEC.COM

SAMTEC USA • Tel: 1-800-SAMTEC-9 or 812-944-6733 • Fax: 812-948-5047 SAMTEC UK • Tel: 01236 739292 • Fax: 01236 727113 SAMTEC GERMANY • Tel: +49 (0) 89 / 89460-0 • Fax: +49 (0) 89 / 89460-299

SAMTEC FRANCE • Tel: 01 60 95 06 60 • Fax: 01 60 95 06 61 SAMTEC ITALY • Tel: 39 039 6890337 • Fax: 39 039 6890315

SAMTEC ASIA PACIFIC • Tel: 65 6745-5955 • Fax: 65 6841-1502 SAMTEC CHINA • Tel: 86-21-5385-4089 • Fax: 86-21-5385-4047 SAMTEC JAPAN • Tel: 81-424-42-8318 • Fax: 81-424-42-8319

SAMTEC TAIWAN • Tel: (02) 2364-6077 • Fax: (02) 2367-9531 SAMTEC HONG KONG • Tel: 852-26904858 • Fax: 852-26904842