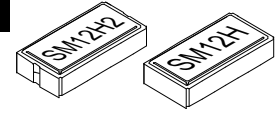




# Pletronics, Inc.

19013 36th Ave. W, Suite H • Lynnwood, WA 98036 USA  
Manufacturer of High Quality Frequency Control Products

## SM12H, SM12H2 Crystal



- 2 or 4 Pad 6x3.5mm Surface Mount Crystal (Ceramic Cover / Ceramic Base)
- SM12H Solder Pad Compatible with our SM12T

**13.000 MHz – 120.000 MHz**

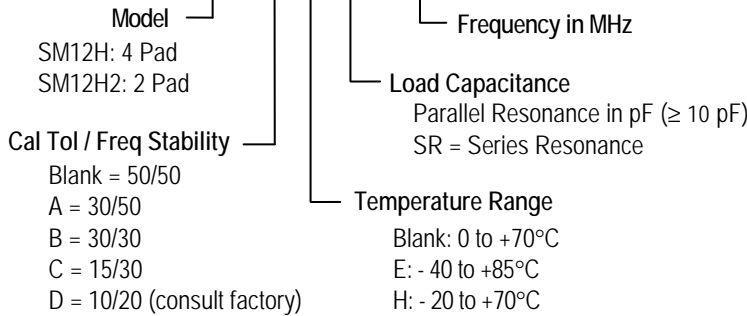
### Standard Specifications

Calibration Frequency Tolerance at 25°C	± 50 PPM is standard, tighter tolerances available
Operating Temperature Range (OTR)	0 to +70°C is standard, but can be extended to -40 to +85°C
Frequency Stability (FS) over OTR	± 50 PPM is standard, tighter tolerances available
Drive Level	100 mW is standard, customer may specify
Aging at 25°C	± 5 PPM maximum

### Part Numbering Guide

Portions of the part number that appear after the frequency may not be marked on part (C of C provided)

**SM12H B E - xx - 70.0M - XXX** (Internal Code or blank)



### ESR Values

Oscillation Mode	Frequency Range (MHz)	Maximum ESR (Ohms)
Fundamental AT Cut	13.000 – 20.000	80
AT Cut	20.001 – 40.000	50
3rd Overtone AT Cut	25.001 – 120.000	100

Consult factory for lower ESR

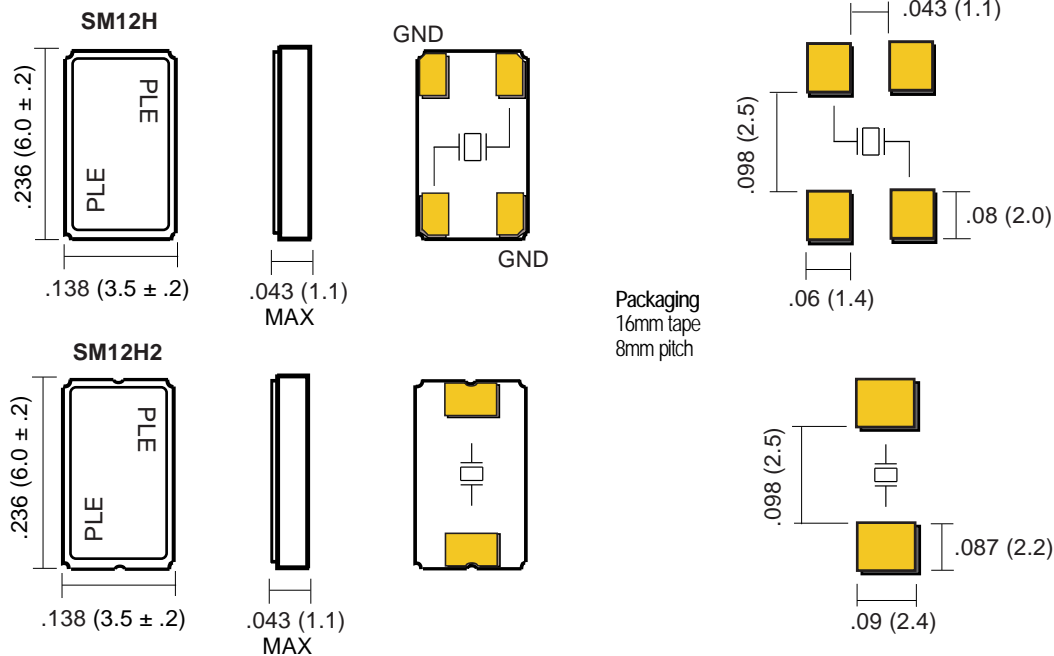
Consult factory for available frequencies and specs. Not all options available for all frequencies. A special part number may be assigned.

### Mechanical: inches (mm)

not to scale

### Solder Pads

Due to part size and factory abilities, part marking may vary from lot to lot and may contain our part number or an internal code.



Sep 2002