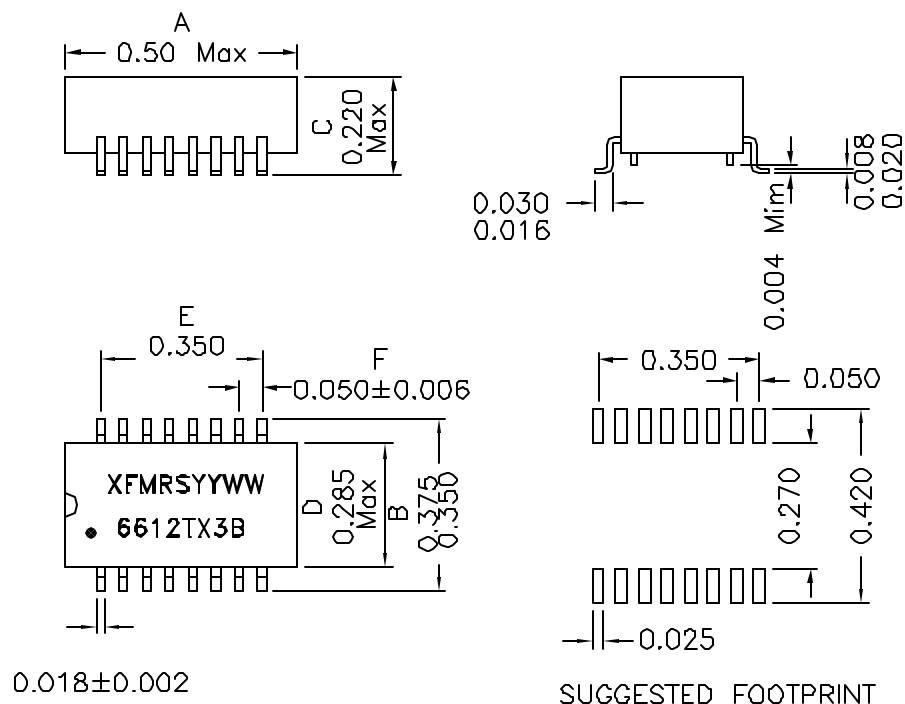


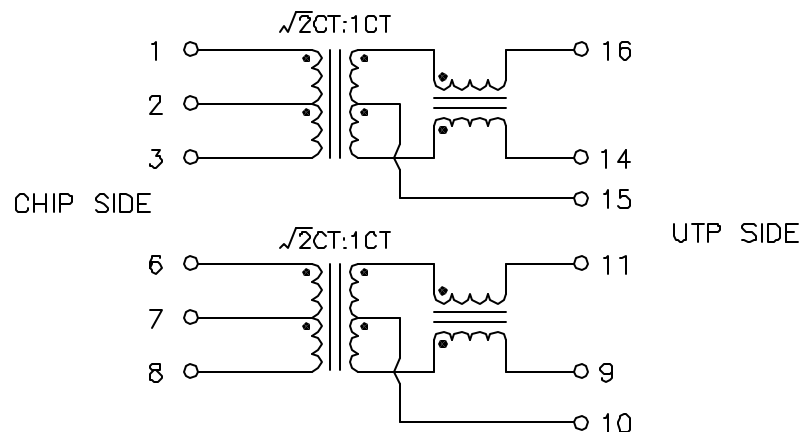
1. Dimensions:



Notes:

- Solderability: Leads shall meet MIL-STD-202G, Method 208H for solderability.
- Flammability: UL94V-0
- ASTM oxygen index: > 28%
- Insulation System: Class F 155°C. UL file E151556
- Operating Temperature Range: All listed parameters are to be within tolerance from -40°C to +85°C
- Storage Temperature Range: -55°C to +125°C
- Aqueous wash compatible
- SMD Lead Coplanarity: ±0.004*(0.102mm)
- Electrical and mechanical specifications 100% tested
- RoHS Compliant Component

2. Schematic:



3. Electrical Specifications: @25°C

Turns Ratio: TX 1.41CT:1CT (±2%) RX 1.41CT:1CT (±2%)
 Isolation Voltage: 1500 Vrms (Input to Output)
 UTP Side OCL: 350uH Minimum @100KHz, 100mV 8mADC
 Insertion Loss (0.3-100MHz): 1.0dB Maximum
 Return Loss (dB Typ):

30MHz	60MHz	80MHz
-16	-12	-10

Crosstalk (dB Max):

32MHz	62MHz	100MHz
-40	-35	-35

DOC. REV: A/2

PROPRIETARY Document is the property of XFMR5 Group & is not allowed to be duplicated without authorization.

XFMR5 Inc. www.XFMR5.com	Title: 10/100BASE-TX MAGNETICS	
UNLESS OTHERWISE SPECIFIED TOLERANCES: .xxx ±0.010 Inch Dimensions in Inch/mm	P/N: XF6612TX3B	REV. A
	DWN. 廖玉坤	Oct-05-07
SCALE 2:1 SHT 1 OF 1	CHK. 李清儿	Oct-05-07
	APP. MS	Oct-05-07