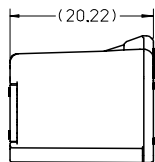
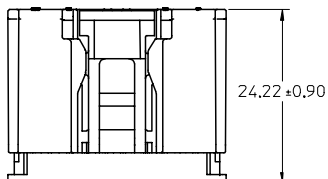
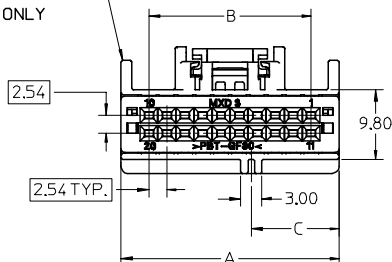


CONNECTORS WITHOUT BRIDGE OPTION

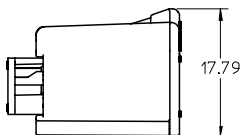


TPS SHOWN IN FULLY SEATED POSITION

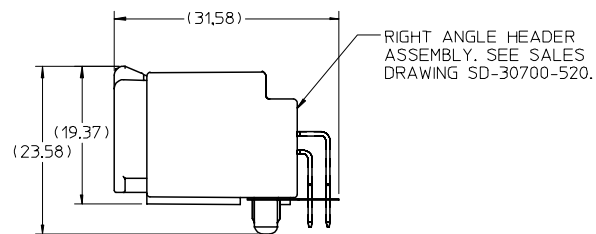
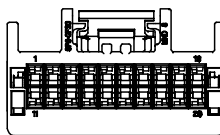
SCOOP PROOF RIBS FOR CIRCUIT SIZES 14 THROUGH 20 ONLY



20 CIRCUIT HARNESS ASSEMBLY SHOWN

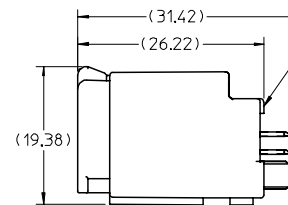


WITH TPA IN PRE-LOAD (AS SHIPPED)



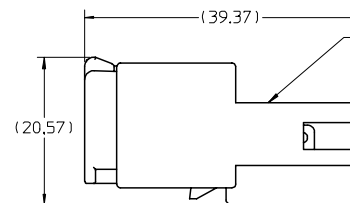
RIGHT ANGLE HEADER ASSEMBLY. SEE SALES DRAWING SD-30700-520.

MATED VIEW



VERTICAL HEADER ASSEMBLY. SEE SALES DRAWING SD-30700-420.

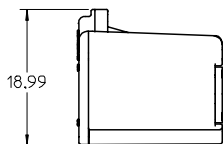
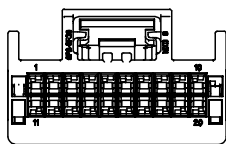
MATED VIEW



MALE INLINE HARNESS ASSEMBLY. SEE SALES DRAWING SD-30968-120.

MATED VIEW

CONNECTORS WITH BRIDGE OPTION



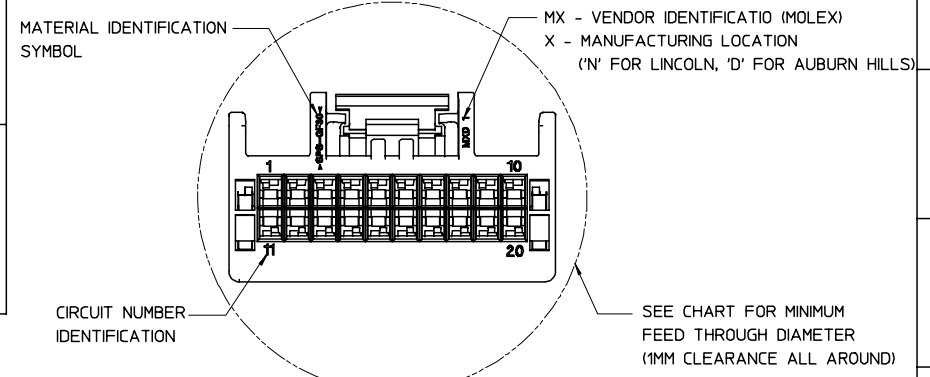
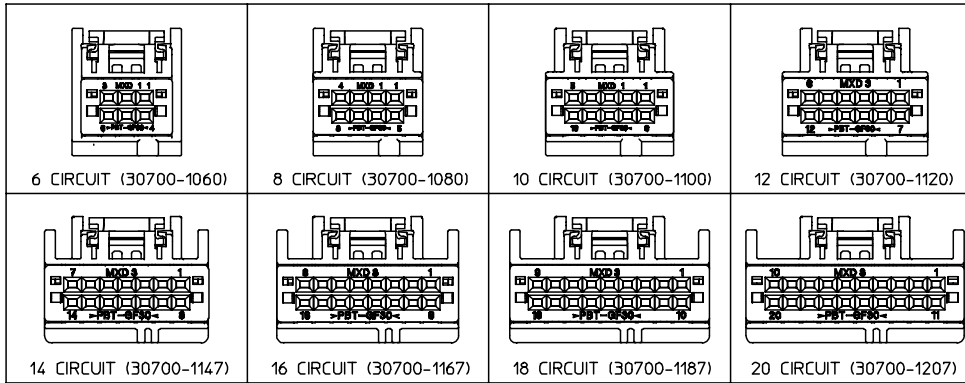
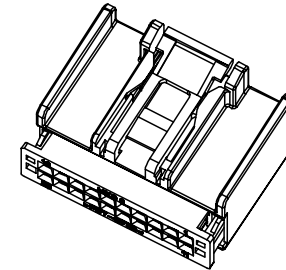
20 CIRCUIT HARNESS ASSEMBLY SHOWN

NOTES:

1. MATERIAL: HOUSING: SPS, GLASS FILLED, COLOR: SEE CHART. TPA: PBT, GLASS FILLED, COLOR: RED.
2. PRODUCT SPECIFICATION: PS-30700-0001
3. PACKAGING SPECIFICATION: PK-30907-417
4. MATES WITH: SERIES 30700 & 30968. SEE SALES DRAWINGS SD-30700-520, SD-30700-420 & SD-30968-120.

EC NO: UAU2004-0407 DRWN: CKRISHNA 2004/05/28 CHKD: 2004/05/28 APPR: BBWILSON 2004/06/01	QUALITY SYMBOLS	GENERAL TOLERANCES (UNLESS SPECIFIED)		SCALE 2:1	DESIGN UNITS METRIC	THIRD ANGLE PROJECTION	REVISE ON CAD ONLY	
	▽ - 0 ◻ - 0		mm	INCH	DIMENSION STYLE MM ONLY		TITLE	
		4 PLACES	± ---	± ---	DRAWN BY DATE		6-20 CIRCUIT HARNESS ASSEMBLY	
		3 PLACES	± ---	± ---	RCARLSON 01/03/23		MOLEX INCORPORATED	
	2 PLACES	± 0.13	± ---	CHECKED BY DATE		MATERIAL NO. DOCUMENT NO. SHEET NO.		
	1 PLACE	± 0.25	± ---	CKRISHNA 01/03/27		SEE CHART SD-30700-120 1 OF 3		
	ANGULAR ±1/2°		DRAFT WHERE APPLICABLE		APPROVED BY DATE			
	MUST REMAIN WITHIN DIMENSIONS		THIS DRAWING CONTAINS INFORMATION THAT IS PROPRIETARY TO MOLEX INCORPORATED AND SHOULD NOT BE USED WITHOUT WRITTEN PERMISSION		LGEIB 01/03/28			

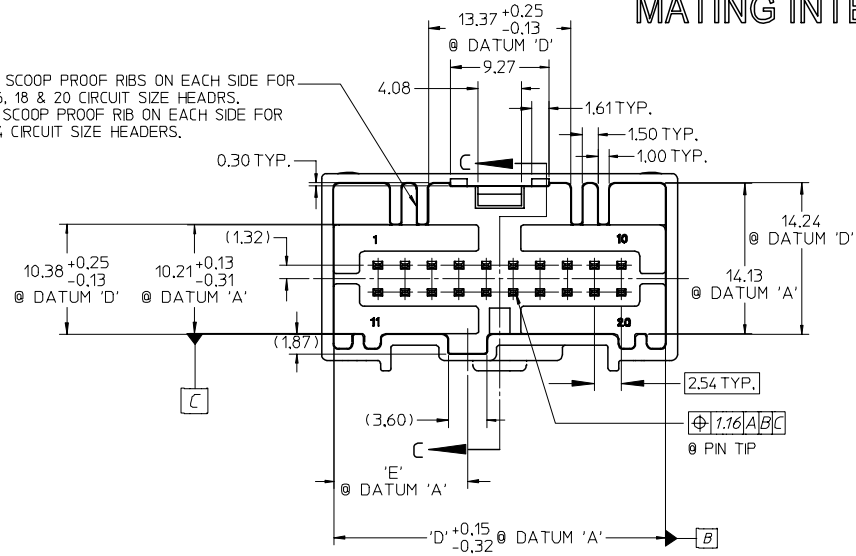
ASSEMBLY PART NUMBER		POLARIZATION OPTIONS & CIRCUIT SIZE		PRODUCT DIMENSIONS				PASS THRU HOLE DIA FOR HARNESS	MATING INTERFACE DIMENSIONS	
WITHOUT BRIDGE	WITH BRIDGE	HARNESS ASSEMBLY (POLARIZATION OPTIONS)	CIRCUIT SIZE	A REF.	B	C	HOUSING COLOR		D	E
30700-1207	31389-1207	POLARIZATION OPTION #1	20	30.69	22.86	12.35	GRAY	36.5	31.14	12.57
30700-1208	31389-1208	POLARIZATION OPTION #2	20	30.69	22.86	15.35	BLACK	36.5	31.14	15.57
30700-1209	31389-1209	POLARIZATION OPTION #3	20	30.69	22.86	18.35	NATURAL (CREAM)	36.5	31.14	18.57
30700-1187	31389-1187	POLARIZATION OPTION #1	18	28.15	20.32	11.08	GRAY	34.0	28.60	11.31
30700-1188	31389-1188	POLARIZATION OPTION #2	18	28.15	20.32	14.08	BLACK	34.0	28.60	14.31
30700-1189	31389-1189	POLARIZATION OPTION #3	18	28.15	20.32	17.08	NATURAL (CREAM)	34.0	28.60	17.31
30700-1167	31389-1167	POLARIZATION OPTION #1	16	25.61	17.78	9.81	GRAY	32.0	26.06	10.04
30700-1168	31389-1168	POLARIZATION OPTION #2	16	25.61	17.78	12.81	BLACK	32.0	26.06	13.04
30700-1169	31389-1169	POLARIZATION OPTION #3	16	25.61	17.78	15.81	NATURAL (CREAM)	32.0	26.06	16.04
30700-1147	31389-1147	POLARIZATION OPTION #1	14	23.07	15.24	8.54	GRAY	30.0	23.52	8.77
30700-1148	31389-1148	POLARIZATION OPTION #2	14	23.07	15.24	11.54	BLACK	30.0	23.52	11.77
30700-1149	31389-1149	POLARIZATION OPTION #3	14	23.07	15.24	14.54	NATURAL (CREAM)	30.0	23.52	14.77
30700-1120	31389-1120	POLARIZATION OPTION #1	12	20.53	12.70	7.27	GRAY	27.5	20.98	7.50
30700-1121	31389-1121	POLARIZATION OPTION #2	12	20.53	12.70	10.27	BLACK	27.5	20.98	10.50
30700-1122	31389-1122	POLARIZATION OPTION #3	12	20.53	12.70	13.27	NATURAL (CREAM)	27.5	20.98	13.50
30700-1100	31389-1100	POLARIZATION OPTION #1	10	17.99	10.16	6.00	GRAY	26.4	18.44	6.23
30700-1101	31389-1101	POLARIZATION OPTION #2	10	17.99	10.16	9.00	BLACK	26.4	18.44	9.23
30700-1102	31389-1102	POLARIZATION OPTION #3	10	17.99	10.16	12.00	NATURAL (CREAM)	26.4	18.44	12.23
30700-1080	31389-1080	POLARIZATION OPTION #1	8	15.45	7.62	4.73	GRAY	25.5	15.90	4.96
30700-1081	31389-1081	POLARIZATION OPTION #2	8	15.45	7.62	7.73	BLACK	25.5	15.90	7.96
30700-1082	31389-1082	POLARIZATION OPTION #3	8	15.45	7.62	10.73	NATURAL (CREAM)	25.5	15.90	10.96
30700-1060	31389-1060	POLARIZATION OPTION #1	6	15.44	5.08	3.46	GRAY	25.5	13.36	3.69
30700-1061	31389-1061	POLARIZATION OPTION #2	6	15.44	5.08	6.46	BLACK	25.5	13.36	6.69
30700-1062	31389-1062	POLARIZATION OPTION #3	6	15.44	5.08	9.46	NATURAL (CREAM)	25.5	13.36	9.69



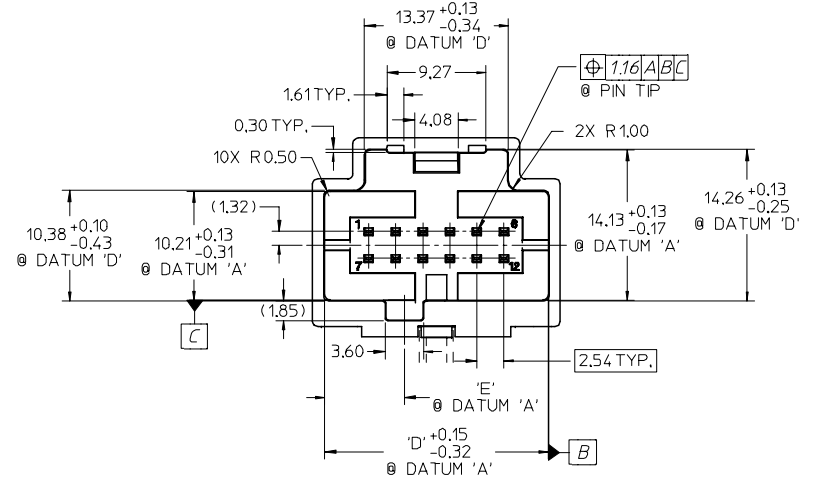
EC NO: UAU2004-0407 DRAWN: CKRISHNA 2004/05/28 CHKD: 2004/05/28 APPR: BBWILSON 2004/06/01	QUALITY SYMBOLS	GENERAL TOLERANCES (UNLESS SPECIFIED)	SCALE 2:1	DESIGN UNITS METRIC	THIRD ANGLE PROJECTION	REVISE ON CAD ONLY															
	▽ - 0 ◁ - 0	<table border="1"> <tr><th colspan="2">mm</th><th>INCH</th></tr> <tr><td>4 PLACES</td><td>± ---</td><td>± ---</td></tr> <tr><td>3 PLACES</td><td>± ---</td><td>± ---</td></tr> <tr><td>2 PLACES</td><td>± 0.13</td><td>± ---</td></tr> <tr><td>1 PLACE</td><td>± 0.25</td><td>± ---</td></tr> </table>	mm		INCH	4 PLACES	± ---	± ---	3 PLACES	± ---	± ---	2 PLACES	± 0.13	± ---	1 PLACE	± 0.25	± ---	DIMENSION STYLE MM ONLY	TITLE	6-20 CIRCUIT HARNESS ASSEMBLY	
		mm		INCH																	
		4 PLACES	± ---	± ---																	
3 PLACES	± ---	± ---																			
2 PLACES	± 0.13	± ---																			
1 PLACE	± 0.25	± ---																			
DRAFT WHERE APPLICABLE	MUST REMAIN WITHIN DIMENSIONS	DRAWN BY: RCARLSON CHECKED BY: CKRISHNA APPROVED BY: LGEIB	DATE: 01/03/23 DATE: 01/03/27 DATE: 01/03/28	MOLEX INCORPORATED SEE CHART	DOCUMENT NO. SD-30700-120 SHEET NO. 2 OF 3																
B1	REV	THIS DRAWING CONTAINS INFORMATION THAT IS PROPRIETARY TO MOLEX INCORPORATED AND SHOULD NOT BE USED WITHOUT WRITTEN PERMISSION																			

MATING INTERFACE DIMENSIONS (REFERENCE ONLY)

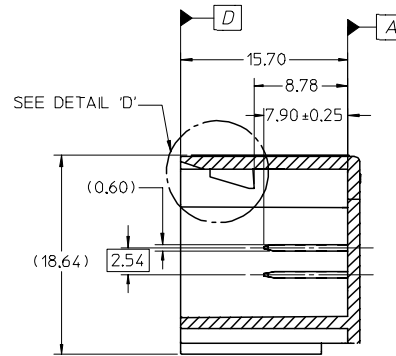
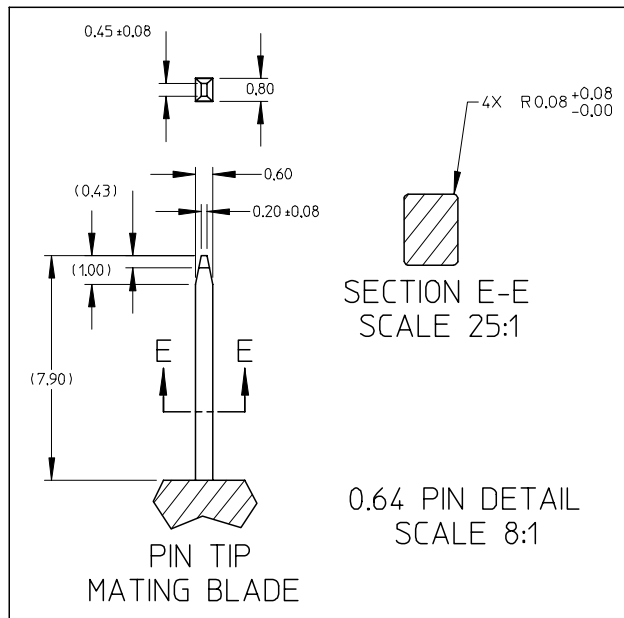
2 SCOOP PROOF RIBS ON EACH SIDE FOR 16, 18 & 20 CIRCUIT SIZE HEADRS.
 1 SCOOP PROOF RIB ON EACH SIDE FOR 14 CIRCUIT SIZE HEADERS.



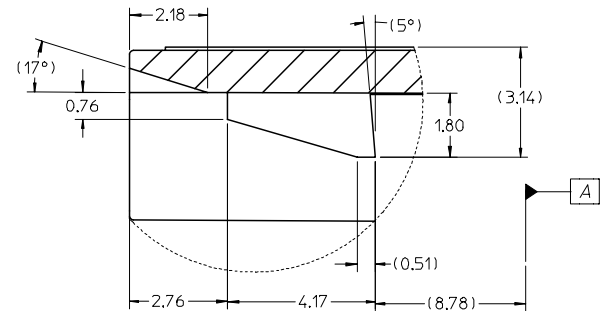
ABOVE VIEW APPLY TO 14, 16, 18 & 20 CIRCUIT ONLY



ABOVE VIEW APPLY TO 8, 8, 10 & 12 CIRCUIT ONLY



SECTION C-C



DETAIL 'D'
SCALE 10:1

EC NO: JAU2004-0407 DRW: CKRISHNA004/05/28 CHK: BBWLS08004/05/28 APPR: BVEAZIE 2004/06/01	QUALITY SYMBOLS -0 C-0	GENERAL TOLERANCES (UNLESS SPECIFIED)		SCALE 1:1	DESIGN UNITS METRIC	THIRD ANGLE PROJECTION	REVISE ON CAD ONLY			
		mm	INCH	DIMENSION STYLE MM ONLY		6-20 CIRCUIT HARNESS ASSEMBLY				
		4 PLACES ± ---	± ---	DRAWN BY DATE	MATERIAL NO. DOCUMENT NO. SHEET NO.					
		3 PLACES ± ---	± ---	RCARLSON 01/03/23	SD-30700-120 3 OF 3					
2 PLACES ± 0.13	± ---	CHECKED BY DATE	THIS DRAWING CONTAINS INFORMATION THAT IS PROPRIETARY TO MOLEX INCORPORATED AND SHOULD NOT BE USED WITHOUT WRITTEN PERMISSION							
1 PLACE ± 0.25	± ---	CKRISHNA 01/03/27								
DRAFT WHERE APPLICABLE MUST REMAIN WITHIN DIMENSIONS		APPROVED BY DATE								
		LGEIB 01/03/28								