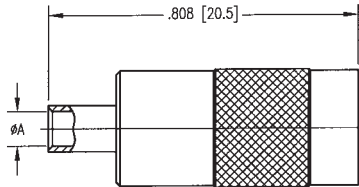


Receptacles for Semi-rigid Cable

Straight

Part Number	Cable Type	"A" Dimension
361-500-0850H	RG-405 ϕ .085 [2.16]	.090 [2.3]
361-500-1410H	RG-402 ϕ .141 [3.58]	.145 [3.7]

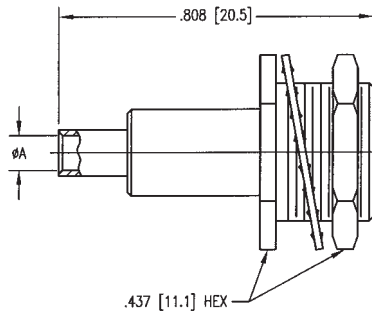
For Cable Assembly Procedure, see CAP 5-24 on page 16.



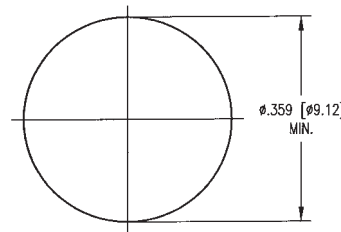
Straight Bulkhead Jack (Rear Mount)

Part Number	Cable Type	"A" Dimension
361-595-0850H	RG-405 ϕ .085 [2.16]	.090 [2.3]
361-595-1410H	RG-402 ϕ .141 [3.58]	.145 [3.7]

For Cable Assembly Procedure, see CAP 5-24 on page 16.



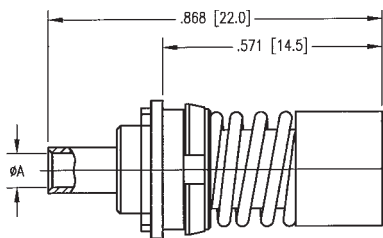
Recommended Mounting Hole (Enlarged to show detail)



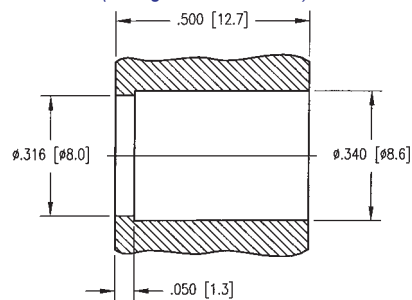
Straight Snap-in Float Mount

Part Number	Cable Type	"A" Dimension
361-522-0850H	RG-405 ϕ .085 [2.16]	.090 [2.3]
361-522-1410H	RG-402 ϕ .141 [3.58]	.145 [3.7]

For Cable Assembly Procedure, see CAP 5-24 on page 16.



Recommended Mounting Hole (Enlarged to show detail)



Notes: Dimensions are shown in inches [millimeters]. Dimensions shown for reference purposes only. Consult Winchester customer drawings for detailed specifications.

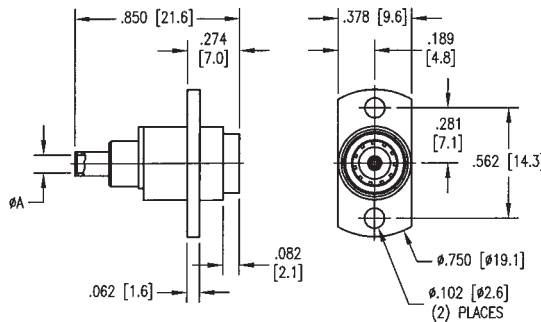
Receptacles for Semi-rigid Cable (*continued*)

[Previous View](#)
9

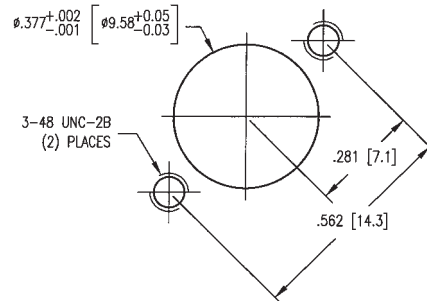
Straight 2-Hole Flange Float Mount

Part Number	Cable Type	"A" Dimension
361-594-0850H	RG-405 ϕ .085 [2.16]	.090 [2.3]
361-594-1410H	RG-402 ϕ .141 [3.58]	.145 [3.7]

For Cable Assembly Procedure, see CAP 5-24 on page 16.



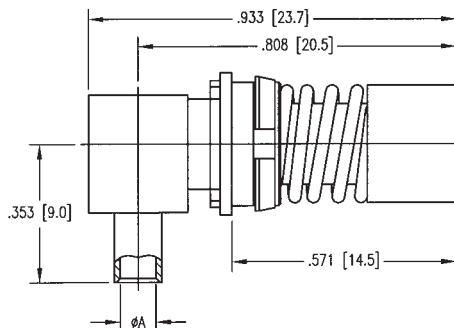
Recommended Mounting Hole (Enlarged to show detail)



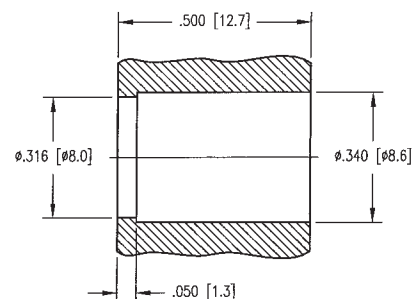
Right-angle Snap-in Float Mount

Part Number	Cable Type	"A" Dimension
363-522-0850H	RG-405 ϕ .085 [2.16]	.090 [2.3]
363-522-1410H	RG-402 ϕ .141 [3.58]	.145 [3.7]

For Cable Assembly Procedure, see CAP 5-25 on page 17.



Recommended Mounting Hole (Enlarged to show detail)



Notes: Dimensions are shown in inches [millimeters]. Dimensions shown for reference purposes only. Consult Winchester customer drawings for detailed specifications.