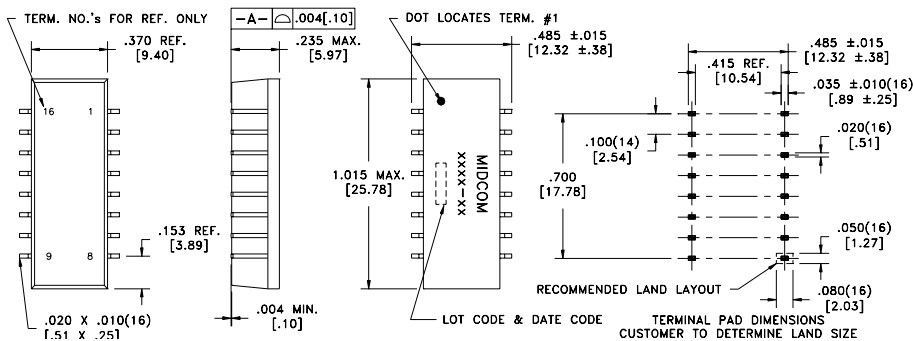


ISDN-S Dual Transformers

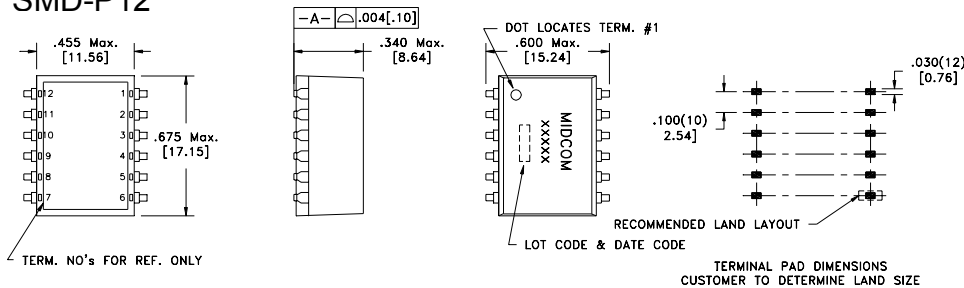
PDFP-G16



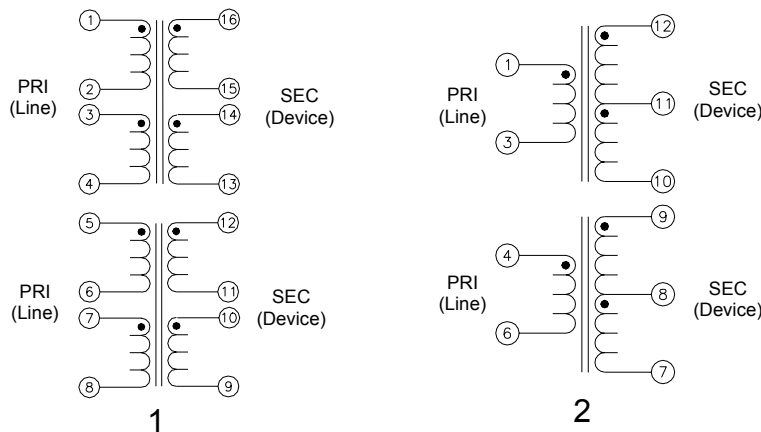
Features

- RoHS compliant versions available
- Small Size
- Optional pin-outs and turns ratio
- Excellent longitudinal balance
- Matched to IC manufacturers' transceivers

SMD-P12



Part Number	Turns Ratio (PRI:SEC)	LPRI @20°C (mH Min)	Leakage L (µH Max)	DCR PRI (ohms Max)	DCR SEC (ohms Max)	C _{ww} (pF Max)	Dielectric (1 minute)	Mechanical	Schematic
51765R	1CT:1CT	22	5.0	2.4	2.4	100	2000VAC	PDFP-G16	1
52246R	1:2CT	20	5.0	2.8	5.6	130	1500VAC	SMD-P12	2



Details subject to change. Contact your Midcom sales representative for additional information. Dimensions: in/mm. All tolerances are ±.010/0.25 and electrical specifications are @25°C unless otherwise specified.