

10 9 8 7 6 5 4 3 2 1

PART NUMBER LEGEND

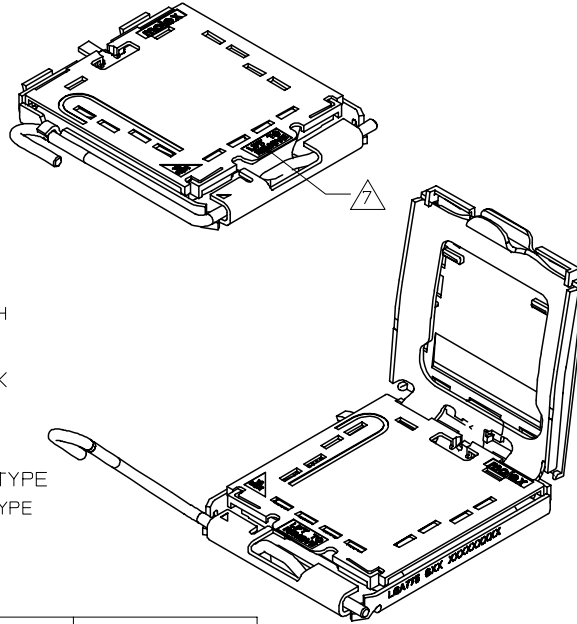
75319 - X X X X

SOLDERBALL: 0 - EUTACTIC  
5 - LEADFREE

AU THICKNESS: 0 - 30 u" Au  
1 - 15 u" Au  
2 - GOLDFLASH  
3 - 10 u" Au

LEVER: 0 - SHEPARD HOOK  
1 - STRAIGHT

PnP COVER: 0 - FLAT TAP TYPE  
1 - RAISE TAP TYPE



NOTES:

1. MATERIAL

SOCKET:

HOUSING : LCP UL 94V-0 COLOUR: BLACK  
TERMINALS: COPPER ALLOY  
PICK AND PLACE COVER: NYLON, COLOUR: BLACK

DEVICE STATIC LOADING COMPONENTS

LOAD PLATE: STAINLESS STEEL  
STIFFENER PLATE: STAINLESS STEEL  
LEVER: STAINLESS STEEL

SOLDERBALL

SEE PART NUMBER TABLE

2. PLATING

SEE PART NUMBER LEGEND FOR MIN GOLD ON CONTACT AREA. 1.27 um MIN NICKEL UNDERPLATE.

3. DIMENSIONS IS TO CENTER POINT OF CONTACT.

4. DIMENSION IS TO CENTER OF LAND OF MATING PACKAGE.

5. MARKING : TYPE : HELVETIC BOLD  
HT : 6 POINTS MIN

6. DATE CODE MARKING CONTAINS YEAR, WEEK AND ASSEMBLY LOCATION.

7. MANUFACTURER'S INSIGNIA.

8. SEATING PLANE OF PACKAGE.

9. LEVER TO OPEN GREATER THAN 120 DEG. LOAD PLATE RELEASE ANGLE TO BE LESS THAN 120 DEG.

10. PRODUCT SPECIFICATION PS-75319-002 APPLIES.

11. THE PARTS 75319\*\*\*5 COMPLIANT TO RoHS DIRECTIVE 2002/95/EC AND ELV 2000/53/EC.

PART NUMBER SOCKET WITH DSL AND PICK AND PLACE COVER	TAP TYPE	PART NUMBER SOCKET ONLY	SOLDERBALL MATERIAL
75319-11*0 (STRAIGHT LEVER)	RAISE TAP	75318-0010	63 Sn / 37 Pb
75319-10*0 (SHEPARD HOOK LEVER)			
75319-01*0 (STRAIGHT LEVER)	FLAT TAP	75318-0015	LEAD FREE
75319-00*0 (SHEPARD HOOK LEVER)			

75319-11*5 (STRAIGHT LEVER)	RAISE TAP	75318-0015	LEAD FREE
75319-10*5 (SHEPARD HOOK LEVER)			
75319-01*5 (STRAIGHT LEVER)	FLAT TAP	75318-0015	LEAD FREE
75319-00*5 (SHEPARD HOOK LEVER)			

RELEASED  
EC NO: 2006/08/25  
DRWN: WDFENG  
CHKD: ZHANG  
APPR: JNCHEN  
REV: 2006/12/01  
2007/01/17

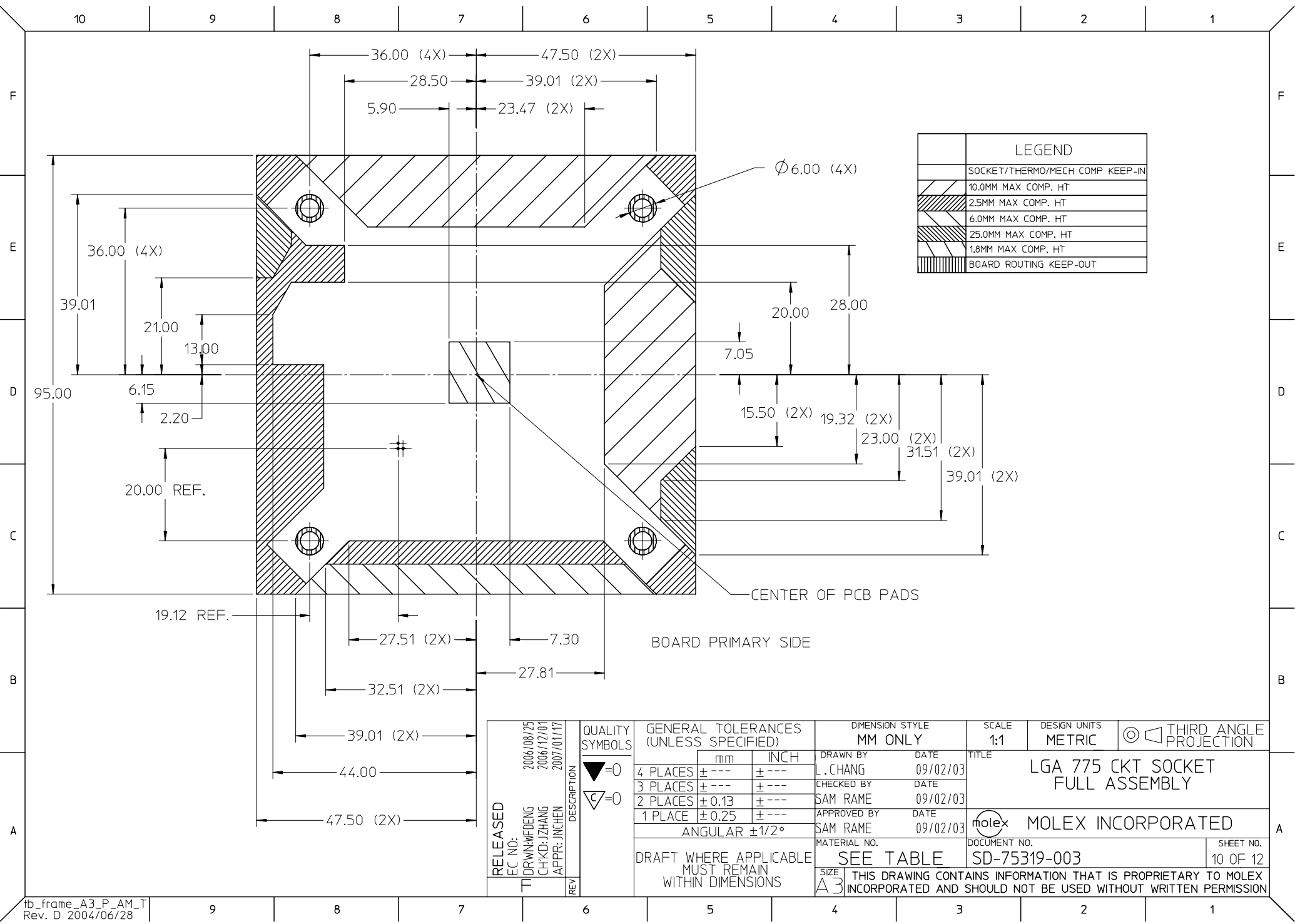
QUALITY SYMBOLS  
▽=0  
▽C=0

GENERAL TOLERANCES (UNLESS SPECIFIED)	
	mm INCH
4 PLACES	± --- ± ---
3 PLACES	± --- ± ---
2 PLACES	± 0.13 ± ---
1 PLACE	± 0.25 ± ---
ANGULAR ±1/2°	
DRAFT WHERE APPLICABLE MUST REMAIN WITHIN DIMENSIONS	

DIMENSION STYLE MM ONLY	
DRAWN BY	DATE
L. CHANG	09/02/03
CHECKED BY	DATE
SAM RAME	09/02/03
APPROVED BY	DATE
SAM RAME	09/02/03
MATERIAL NO.	DOCUMENT NO.
SEE TABLE	SD-75319-003

SCALE 1:1	DESIGN UNITS METRIC	THIRD ANGLE PROJECTION
LGA 775 CKT SOCKET FULL ASSEMBLY		
MOLEX INCORPORATED		
SHEET NO. 1 OF 12		
THIS DRAWING CONTAINS INFORMATION THAT IS PROPRIETARY TO MOLEX INCORPORATED AND SHOULD NOT BE USED WITHOUT WRITTEN PERMISSION		

9 8 7 6 5 4 3 2 1



LEGEND	
[Symbol]	SOCKET/THERMO/MECH COMP KEEP-IN
[Symbol]	10.0MM MAX COMP. HT
[Symbol]	2.5MM MAX COMP. HT
[Symbol]	6.0MM MAX COMP. HT
[Symbol]	25.0MM MAX COMP. HT
[Symbol]	1.8MM MAX COMP. HT
[Symbol]	BOARD ROUTING KEEP-OUT

<b>RELEASED</b> EC NO: 2006/08/25 DRWN: WFDENG CHKD: JZHANG APPR: JNCHEN 2006/12/01 2007/01/17	QUALITY SYMBOLS ▽=0 ◁=0	GENERAL TOLERANCES (UNLESS SPECIFIED)		DIMENSION STYLE <b>MM ONLY</b>		SCALE <b>1:1</b>	DESIGN UNITS <b>METRIC</b>	THIRD ANGLE PROJECTION																	
		<table border="1"> <thead> <tr> <th></th> <th>mm</th> <th>INCH</th> </tr> </thead> <tbody> <tr> <td>4 PLACES</td> <td>± ---</td> <td>± ---</td> </tr> <tr> <td>3 PLACES</td> <td>± ---</td> <td>± ---</td> </tr> <tr> <td>2 PLACES</td> <td>± 0.13</td> <td>± ---</td> </tr> <tr> <td>1 PLACE</td> <td>± 0.25</td> <td>± ---</td> </tr> </tbody> </table>			mm	INCH	4 PLACES	± ---	± ---	3 PLACES	± ---	± ---	2 PLACES	± 0.13	± ---	1 PLACE	± 0.25	± ---	DRAWN BY L. CHANG		DATE 09/02/03	TITLE <b>LGA 775 CKT SOCKET FULL ASSEMBLY</b>			
			mm	INCH																					
		4 PLACES	± ---	± ---																					
3 PLACES	± ---	± ---																							
2 PLACES	± 0.13	± ---																							
1 PLACE	± 0.25	± ---																							
ANGULAR ±1/2°				CHECKED BY SAM RAME		DATE 09/02/03	MOLEX INCORPORATED																		
DRAFT WHERE APPLICABLE MUST REMAIN WITHIN DIMENSIONS				APPROVED BY SAM RAME		DATE 09/02/03	MATERIAL NO.	DOCUMENT NO. <b>SD-75319-003</b>	SHEET NO. <b>10 OF 12</b>																

10 9 8 7 6 5 4 3 2 1

F F

E E

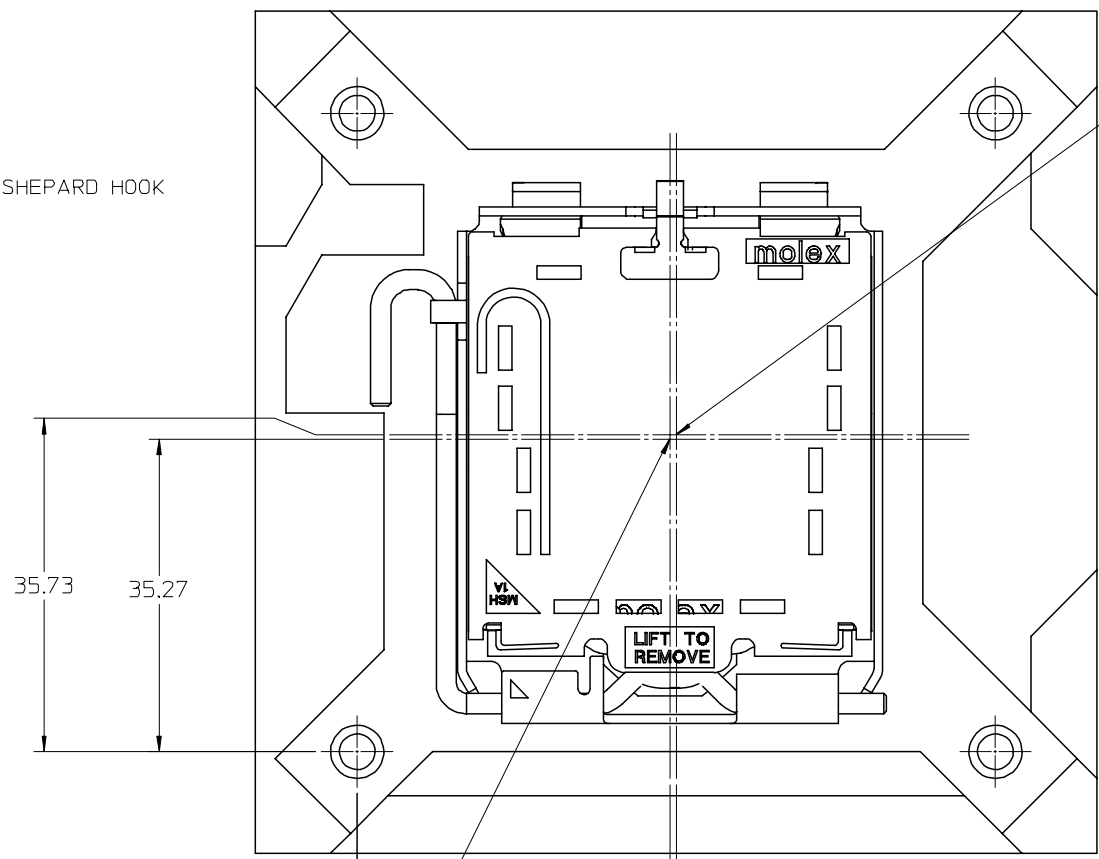
D D

C C

B B

A A

SOCKET WILL EITHER HAVE SHEPARD HOOK OR STRAIGHT LEVER.



CENTER OF PCB PADS

SOCKET LAYOUT (STRAIGHT/SHEPARD HOOK LEVER ) WITH REFERENCE TO KEEP OUT ZONES

CENTER OF CPU PACKAGE / SOCKET HOUSING CAVITY

RELEASED	EC NO:	2006/08/25
	DRWN:WFJENG	2006/12/01
	CHKD:ZHANG	2006/12/01
	APPR:JNCHEN	2007/01/17

QUALITY SYMBOLS	$\nabla=0$
	$\nabla C=0$

GENERAL TOLERANCES (UNLESS SPECIFIED)	
	mm
	INCH
4 PLACES	$\pm$ ---
3 PLACES	$\pm$ ---
2 PLACES	$\pm 0.13$
1 PLACE	$\pm 0.25$
ANGULAR $\pm 1/2^\circ$	
DRAFT WHERE APPLICABLE MUST REMAIN WITHIN DIMENSIONS	

DIMENSION STYLE	
MM ONLY	
DRAWN BY	DATE
L. CHANG	09/02/03
CHECKED BY	DATE
SAM RAME	09/02/03
APPROVED BY	DATE
SAM RAME	09/02/03
MATERIAL NO.	
SEE TABLE	
SIZE	A3

SCALE	1:1
DESIGN UNITS	METRIC
THIRD ANGLE PROJECTION	
TITLE	
LGA 775 CKT SOCKET FULL ASSEMBLY	
MOLEX INCORPORATED	
DOCUMENT NO.	SHEET NO.
SD-75319-003	11 OF 12
THIS DRAWING CONTAINS INFORMATION THAT IS PROPRIETARY TO MOLEX INCORPORATED AND SHOULD NOT BE USED WITHOUT WRITTEN PERMISSION	

9 8 7 6 5 4 3 2 1

10 9 8 7 6 5 4 3 2 1

F

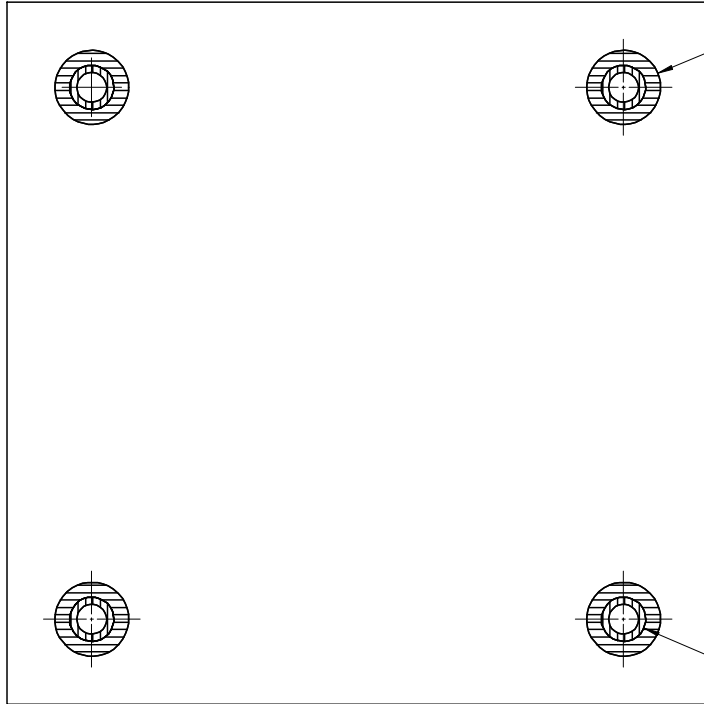
E

D

C

B

A



Ø 10.00 (4X)

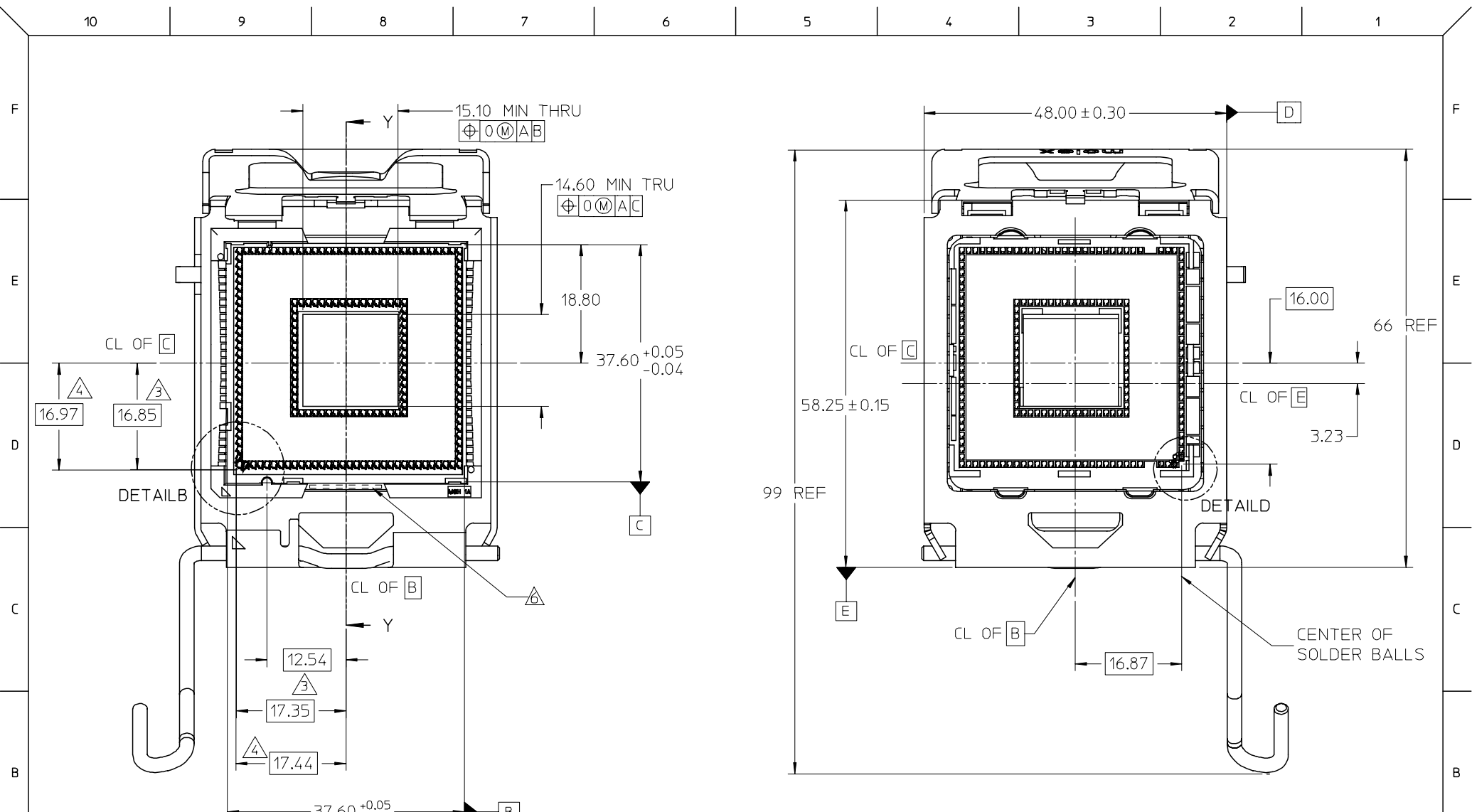
Ø 6.00 (4X)

BOARD SECONDARY SIDE

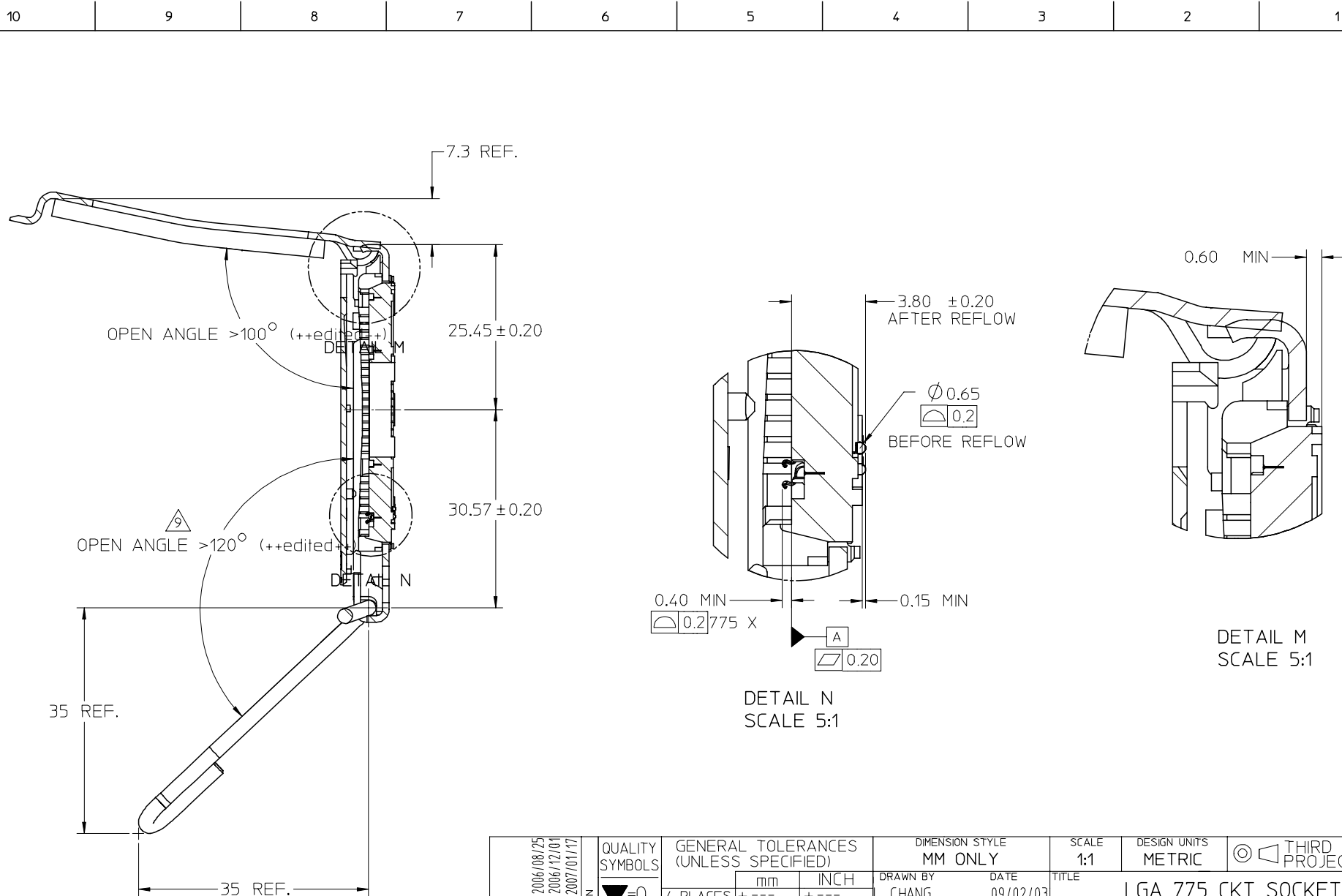
LEGEND	
	COMPONENT KEEP-OUT
	ROUTING KEEP-OUT

RELEASED EC NO: DRWN: WFDENG CHKD: JZHANG APPR: JNCHEN	2006/08/25 2006/12/01 2007/01/17	QUALITY SYMBOLS ▽=0 ◻=0	GENERAL TOLERANCES (UNLESS SPECIFIED)		DIMENSION STYLE MM ONLY		SCALE 1:1	DESIGN UNITS METRIC	THIRD ANGLE PROJECTION		
			4 PLACES ± --- ± ---	3 PLACES ± --- ± ---	2 PLACES ± 0.13 ± ---	1 PLACE ± 0.25 ± ---	DRAWN BY L. CHANG		DATE 09/02/03		
			ANGULAR ±1/2°		DRAFT WHERE APPLICABLE MUST REMAIN WITHIN DIMENSIONS		CHECKED BY SAM RAME		DATE 09/02/03		
					APPROVED BY SAM RAME		DATE 09/02/03		TITLE LGA 775 CKT SOCKET FULL ASSEMBLY		
				MATERIAL NO.		DOCUMENT NO. SD-75319-003		SHEET NO. 12 OF 12			
				SEE TABLE		MOLEX INCORPORATED					
				THIS DRAWING CONTAINS INFORMATION THAT IS PROPRIETARY TO MOLEX INCORPORATED AND SHOULD NOT BE USED WITHOUT WRITTEN PERMISSION							

9 8 7 6 5 4 3 2 1



RELEASED EC NO: 2006/08/25 DRWN: WFDENG 2006/12/01 CHKD: JZHANG 2006/12/01 APPR: JNCHEN 2007/01/17	QUALITY SYMBOLS ▽=0 ▽=0	GENERAL TOLERANCES (UNLESS SPECIFIED)		DIMENSION STYLE MM ONLY		SCALE 1:1	DESIGN UNITS METRIC	THIRD ANGLE PROJECTION			
		4 PLACES ± --- ± ---	3 PLACES ± --- ± ---	2 PLACES ± 0.13 ± ---	1 PLACE ± 0.25 ± ---	ANGULAR ± 1/2°	DRAWN BY L. CHANG	DATE 09/02/03	TITLE LGA 775 CKT SOCKET FULL ASSEMBLY		
		DRAFT WHERE APPLICABLE MUST REMAIN WITHIN DIMENSIONS		SEE TABLE		APPROVED BY SAM RAME		DATE 09/02/03	MOLEX INCORPORATED		
		MATERIAL NO.		DOCUMENT NO.		SHEET NO.		2 OF 12			



RELEASED EC NO: DRWN:WFJENG CHKD:JZHANG APPR:JNCHEN	REV	DESCRIPTION	QUALITY SYMBOLS ▽=0 ▽C=0	GENERAL TOLERANCES (UNLESS SPECIFIED)		DIMENSION STYLE MM ONLY		SCALE 1:1	DESIGN UNITS METRIC	THIRD ANGLE PROJECTION		
				mm	INCH	DRAWN BY L. CHANG	DATE 09/02/03	TITLE LGA 775 CKT SOCKET FULL ASSEMBLY				
DRAFT WHERE APPLICABLE MUST REMAIN WITHIN DIMENSIONS				4 PLACES	± ---	± ---	APPROVED BY SAM RAME	DATE 09/02/03	MOLEX INCORPORATED			
				3 PLACES	± ---	± ---	DATE 09/02/03	DOCUMENT NO. SD-75319-003				
				2 PLACES	± 0.13	± ---	MATERIAL NO.		SEE TABLE			
				1 PLACE	± 0.25	± ---	DATE 09/02/03					
				ANGULAR ±1/2°								

10 9 8 7 6 5 4 3 2 1

F

F

E

E

D

D

C

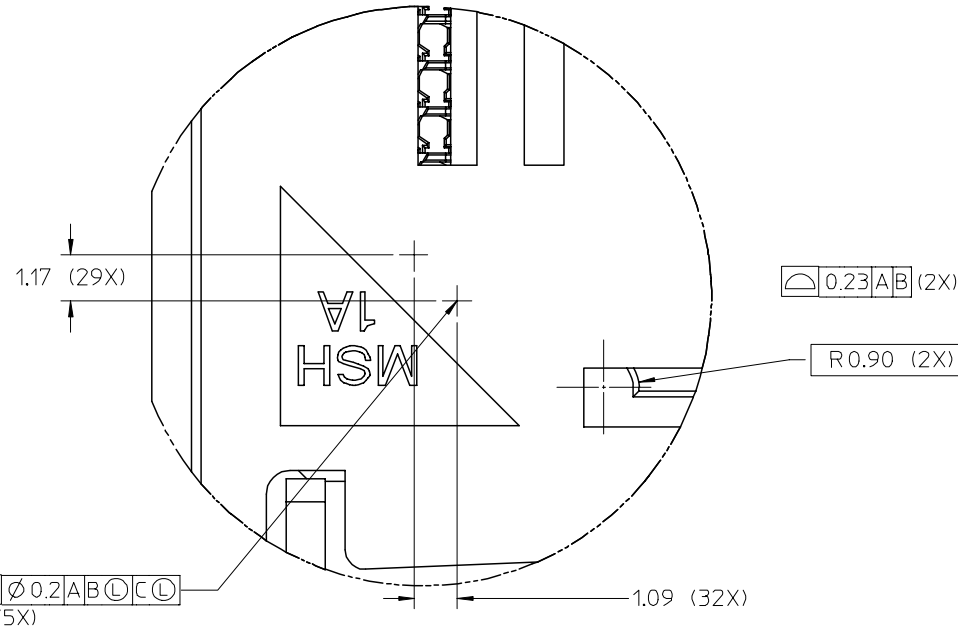
C

B

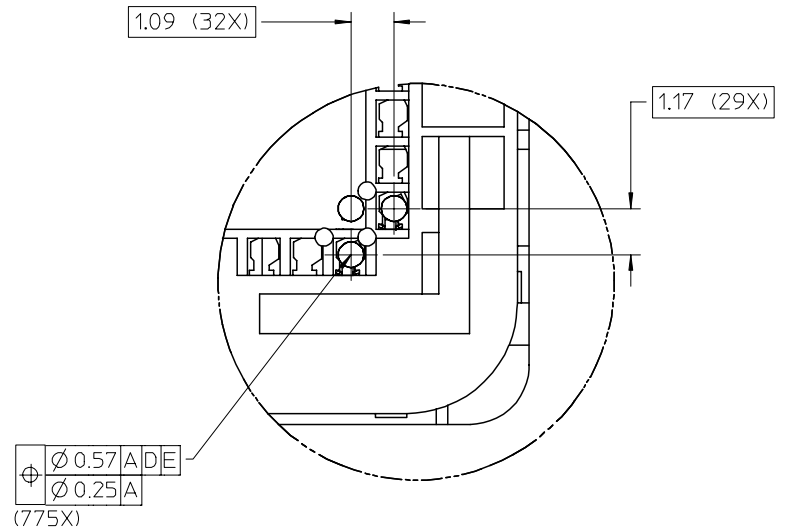
B

A

A



DETAIL B  
SCALE 8:1



DETAIL D  
SCALE 8:1

RELEASED EC NO: 2006/08/25 DRWN: WFEUNG CHKD: JZHANG APPR: JNCHEN 2006/12/01 2007/01/17	DESCRIPTION REV	QUALITY SYMBOLS	GENERAL TOLERANCES (UNLESS SPECIFIED)		DIMENSION STYLE MM ONLY		SCALE 1:1	DESIGN UNITS METRIC	THIRD ANGLE PROJECTION		
		$\nabla=0$ $\sphericalcap=0$	mm	INCH	DRAWN BY L. CHANG	DATE 09/02/03	TITLE LGA 775 CKT SOCKET FULL ASSEMBLY				
		4 PLACES ± --- ± --- 3 PLACES ± --- ± --- 2 PLACES ± 0.13 ± --- 1 PLACE ± 0.25 ± ---	ANGULAR ±1/2°		CHECKED BY SAM RAME	DATE 09/02/03					
		DRAFT WHERE APPLICABLE MUST REMAIN WITHIN DIMENSIONS			SEE TABLE		APPROVED BY SAM RAME		DATE 09/02/03	MOLEX INCORPORATED	
					MATERIAL NO.		DOCUMENT NO. SD-75319-003	SHEET NO. 4 OF 12			

9 8 7 6 5 4 3 2 1

10 9 8 7 6 5 4 3 2 1

F F

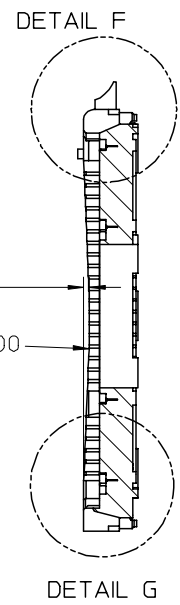
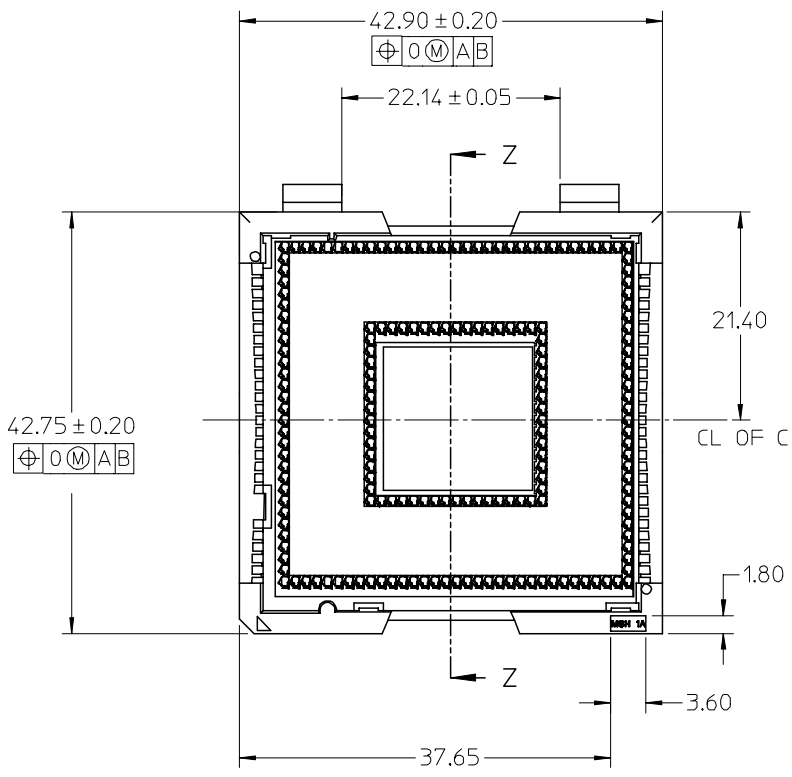
E E

D D

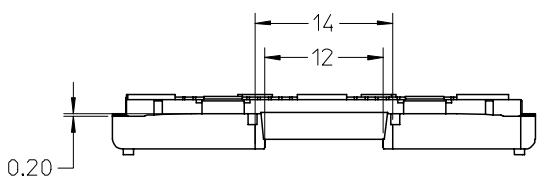
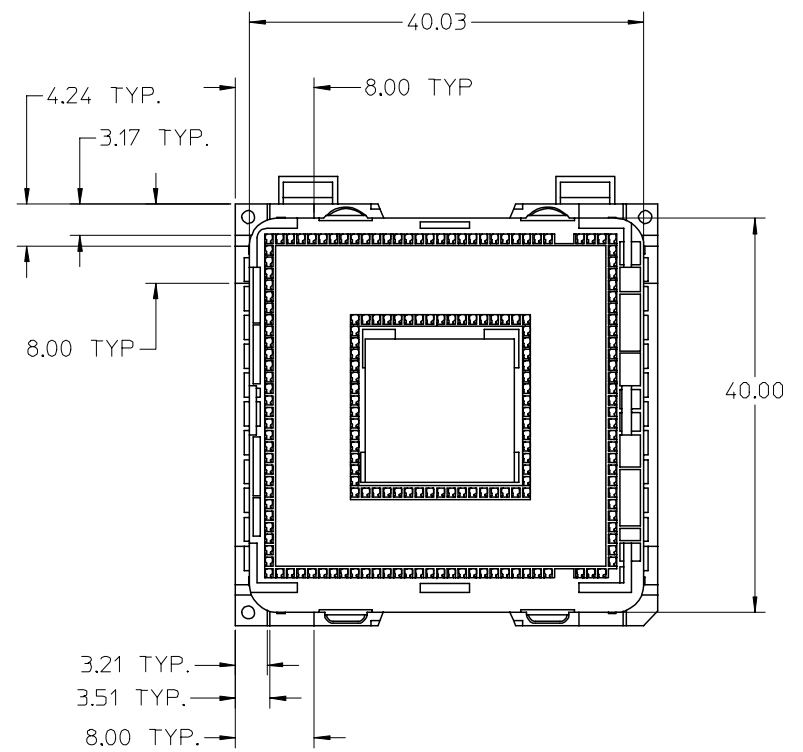
C C

B B

A A



SECTION Z-Z  
SCALE 2:1



RELEASED	EC NO:	2006/08/25
	DRWN: WFDENG	2006/12/01
	CHKD: ZHANG	2007/01/17
	APPR: JNCHEN	

REV	DESCRIPTION
▽=0	QUALITY SYMBOLS
▽C=0	

GENERAL TOLERANCES (UNLESS SPECIFIED)		
	mm	INCH
4 PLACES	± ---	± ---
3 PLACES	± ---	± ---
2 PLACES	± 0.13	± ---
1 PLACE	± 0.25	± ---
ANGULAR ±1/2°		
DRAFT WHERE APPLICABLE MUST REMAIN WITHIN DIMENSIONS		

DIMENSION STYLE MM ONLY	
DRAWN BY	DATE
L. CHANG	09/02/03
CHECKED BY	DATE
SAM RAME	09/02/03
APPROVED BY	DATE
SAM RAME	09/02/03
MATERIAL NO.	
SEE TABLE	

SCALE 1:1	DESIGN UNITS METRIC	THIRD ANGLE PROJECTION
TITLE LGA 775 CKT SOCKET FULL ASSEMBLY		
MOLEX INCORPORATED		
DOCUMENT NO. SD-75319-003	SHEET NO. 5 OF 12	
THIS DRAWING CONTAINS INFORMATION THAT IS PROPRIETARY TO MOLEX INCORPORATED AND SHOULD NOT BE USED WITHOUT WRITTEN PERMISSION		

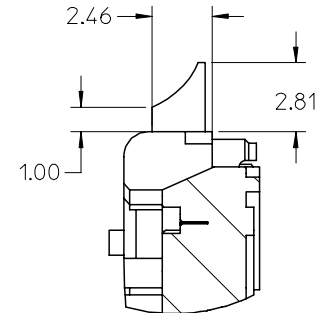
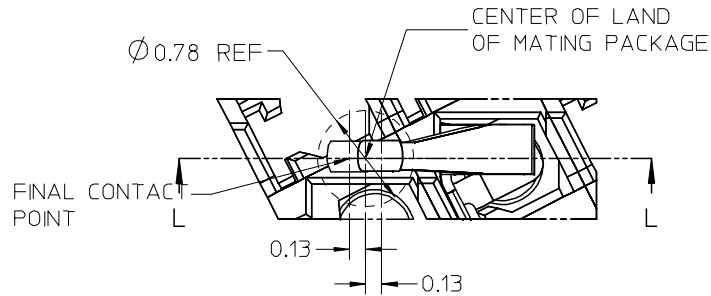
9 8 7 6 5 4 3 2 1



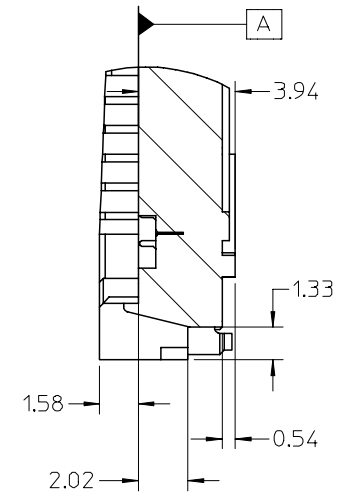
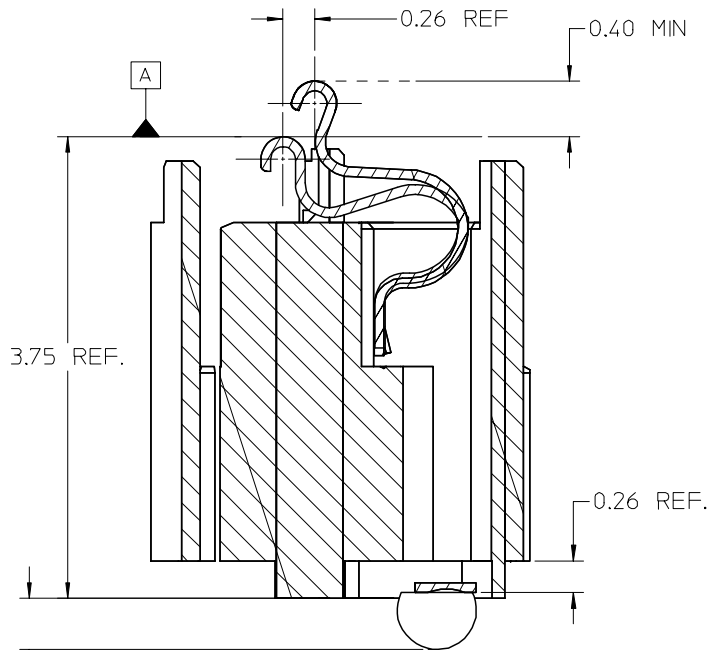
10 9 8 7 6 5 4 3 2 1

F  
E  
D  
C  
B  
A

F  
E  
D  
C  
B  
A



DETAILF  
SCALE 5:1



DETAILG  
SCALE 5:1

0.42 REF. CONTACT POSITION AND DEFLECTION BEFORE AND DURING APPLICATION

SECTION C-C

RELEASED	2006/08/25
EC NO:	2006/12/01
DRWN:WFJENG	2006/12/01
CHKD:ZHANG	2007/01/17
APPR:JNCHEN	

QUALITY SYMBOLS	$\nabla=0$
	$\triangle=0$

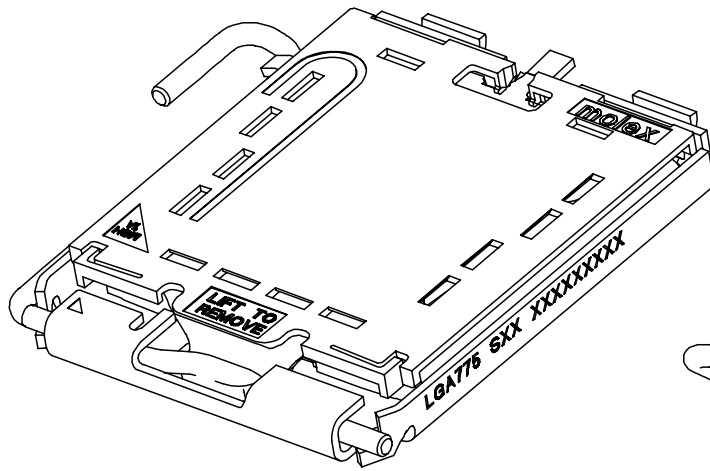
GENERAL TOLERANCES (UNLESS SPECIFIED)	
	mm INCH
4 PLACES	$\pm$ --- $\pm$ ---
3 PLACES	$\pm$ --- $\pm$ ---
2 PLACES	$\pm 0.13$ $\pm$ ---
1 PLACE	$\pm 0.25$ $\pm$ ---
ANGULAR $\pm 1/2^\circ$	
DRAFT WHERE APPLICABLE MUST REMAIN WITHIN DIMENSIONS	

DIMENSION STYLE MM ONLY	
DRAWN BY	DATE
L. CHANG	09/02/03
CHECKED BY	DATE
SAM RAME	09/02/03
APPROVED BY	DATE
SAM RAME	09/02/03
MATERIAL NO.	
SIZE	SEE TABLE
A3	

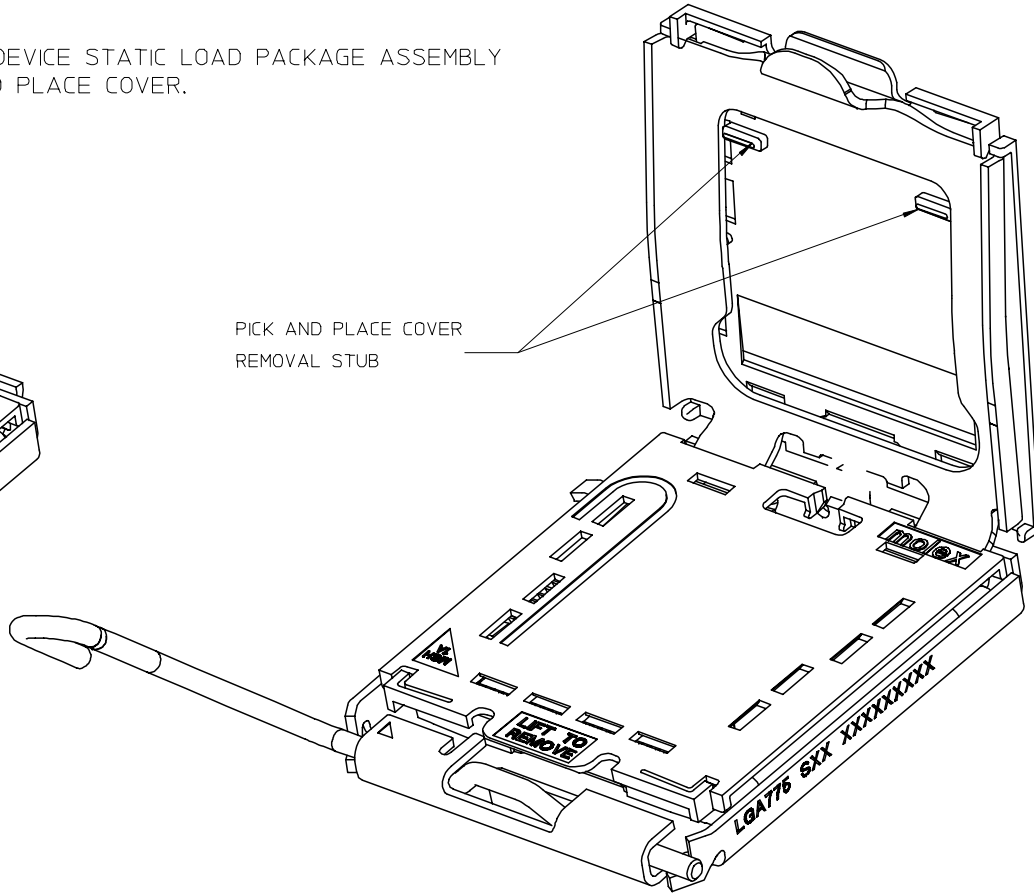
SCALE 1:1	DESIGN UNITS METRIC	THIRD ANGLE PROJECTION
TITLE LGA 775 CKT SOCKET FULL ASSEMBLY		
MOLEX MOLEX INCORPORATED		
DOCUMENT NO. SD-75319-003	SHEET NO. 6 OF 12	
THIS DRAWING CONTAINS INFORMATION THAT IS PROPRIETARY TO MOLEX INCORPORATED AND SHOULD NOT BE USED WITHOUT WRITTEN PERMISSION		

9 8 7 6 5 4 3 2 1

SOCKET AND DEVICE STATIC LOAD PACKAGE ASSEMBLY  
WITH PICK AND PLACE COVER.

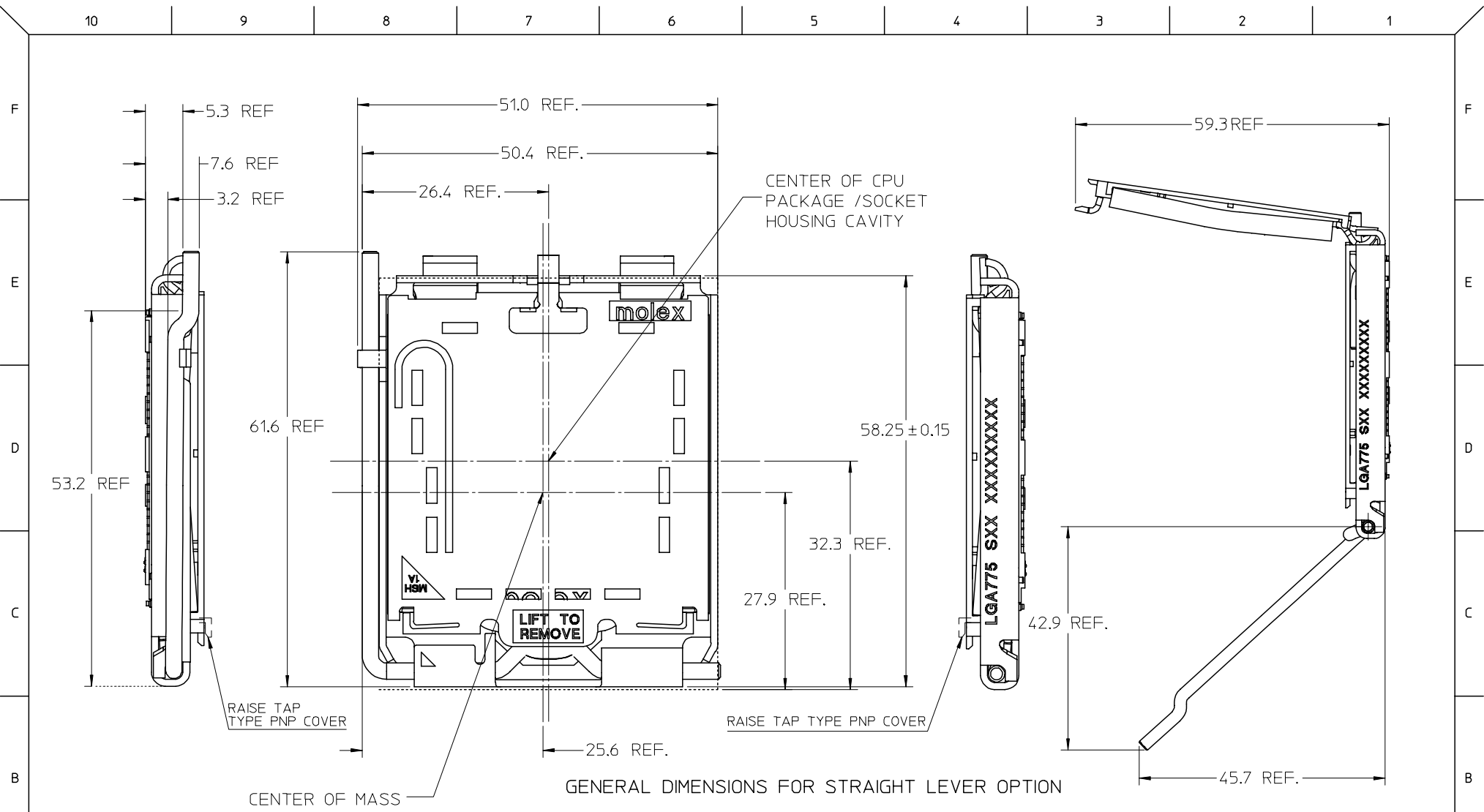


PICK AND PLACE COVER  
REMOVAL STUB



RELEASED EC NO: 2006/08/25 DRWN:WFENG 2006/12/01 CHKD:ZHANG 2007/01/17 APPR:JNCHEN	DESCRIPTION REV	QUALITY SYMBOLS ▽=0 ◻=0	GENERAL TOLERANCES (UNLESS SPECIFIED)		DIMENSION STYLE MM ONLY		SCALE 1:1	DESIGN UNITS METRIC	THIRD ANGLE PROJECTION		
			4 PLACES ± --- ± --- 3 PLACES ± --- ± --- 2 PLACES ± 0.13 ± --- 1 PLACE ± 0.25 ± --- ANGULAR ± 1/2°	mm      INCH	DRAWN BY L. CHANG	DATE 09/02/03	TITLE LGA 775 CKT SOCKET FULL ASSEMBLY				
			DRAFT WHERE APPLICABLE MUST REMAIN WITHIN DIMENSIONS	APPROVED BY SAM RAME	DATE 09/02/03	MOLEX INCORPORATED					
			SEE TABLE	MATERIAL NO. SD-75319-003	DOCUMENT NO.	SHEET NO. 7 OF 12					





GENERAL DIMENSIONS FOR STRAIGHT LEVER OPTION

RELEASED EC NO: 2006/08/25 DRAWN: WEDENG CHKD: JZHANG APPR: JINCHEN 2006/12/01 2007/01/17	QUALITY SYMBOLS ▽=0 ▽=0	GENERAL TOLERANCES (UNLESS SPECIFIED)		DIMENSION STYLE MM ONLY		SCALE 1:1	DESIGN UNITS METRIC	THIRD ANGLE PROJECTION		
		4 PLACES ± --- ± ---	3 PLACES ± --- ± ---	2 PLACES ± 0.13 ± ---	1 PLACE ± 0.25 ± ---	ANGULAR ± 1/2°	DRAWN BY L. CHANG	DATE 09/02/03	TITLE LGA 775 CKT SOCKET FULL ASSEMBLY	
		DRAFT WHERE APPLICABLE MUST REMAIN WITHIN DIMENSIONS		SEE TABLE	MATERIAL NO.	DOCUMENT NO. SD-75319-003	APPROVED BY SAM RAME	DATE 09/02/03	MOLEX INCORPORATED	
				SIZE A3	THIS DRAWING CONTAINS INFORMATION THAT IS PROPRIETARY TO MOLEX INCORPORATED AND SHOULD NOT BE USED WITHOUT WRITTEN PERMISSION					

