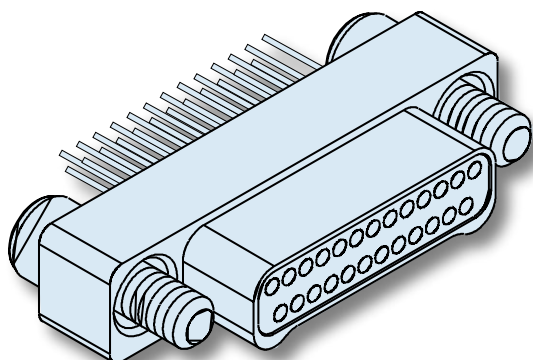


Series 89 Nanominiature Connectors Two Row Pigtail Assemblies, Uninsulated Wire 891-003 and -004



Glenair's Pigtail Nano Connectors feature gold alloy NanoPin contacts. Contacts are precision-cripped to insulated, stranded wire. These nanominiature connectors offer premium performance and reliability for demanding applications. Contact spacing is .025 inches. 1 amp current rating, DWV rating 300 volts AC. Wire gages #30 and #32 AWG.

NanoPin Contact System assures premium performance in demanding environments. The gold/platinum alloy contacts will stand up to years of exposure without corrosion.

Typical Applications include UAV's, satellites, missile systems and geophysical instruments.

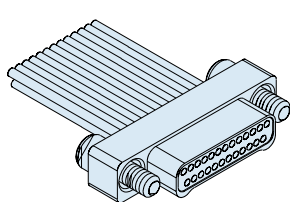
HOW TO ORDER NANOMINIATURE CONNECTORS WITH UNINSULATED WIRE

Series	Insert Arrangement/ Contact Type	Shell Material and Finish	Wire Gage	Wire Type	Wire Length	Hardware
891-003 Plug, Pin Contacts, Two Row, Nanominiature, Uninsulated Wire	Plugs (891-003)	A1 Aluminum Shell, Cadmium Plating	0 #30 AWG	D3 Single Strand Copper Wire, Uninsulated, with Gold Plating	.125 .250 .375 .500 Wire Length in Inches	J Jackscrew, #0-80 T Threaded Inserts, #0-80 Female Threaded inserts are available on plug connectors only if the shell material is titanium or stainless steel.
	9P					
	15P					
	21P					
	25P					
891-004 Receptacle, Socket Contacts, Two Row, Nanominiature, Uninsulated Wire	Receptacles (891-004)	A2 Aluminum Shell, Electroless Nickel Plating	2 #32 AWG			
	31P					
	37P					
	51P					
	9S	T Titanium Shell, Unplated				
	15S					
	21S					
	25S					
	31S	S Stainless Steel Shell, Passivated				
	37S					
51S						

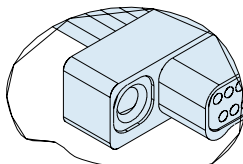
Sample Part Number

891-003 — 9P A1 —0 D3 — .125 J

PLUG (PIN) CONNECTOR

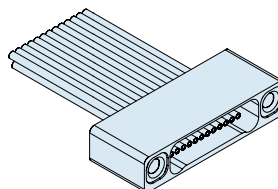


"J" Jackscrew Option

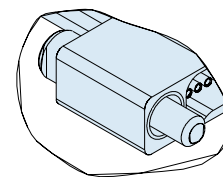


"T" Threaded Insert Option
Titanium or Stainless Steel
Shells Only

RECEPTACLE (SOCKET) CONNECTOR



"T" Threaded Insert Option



"J" Jackscrew Option

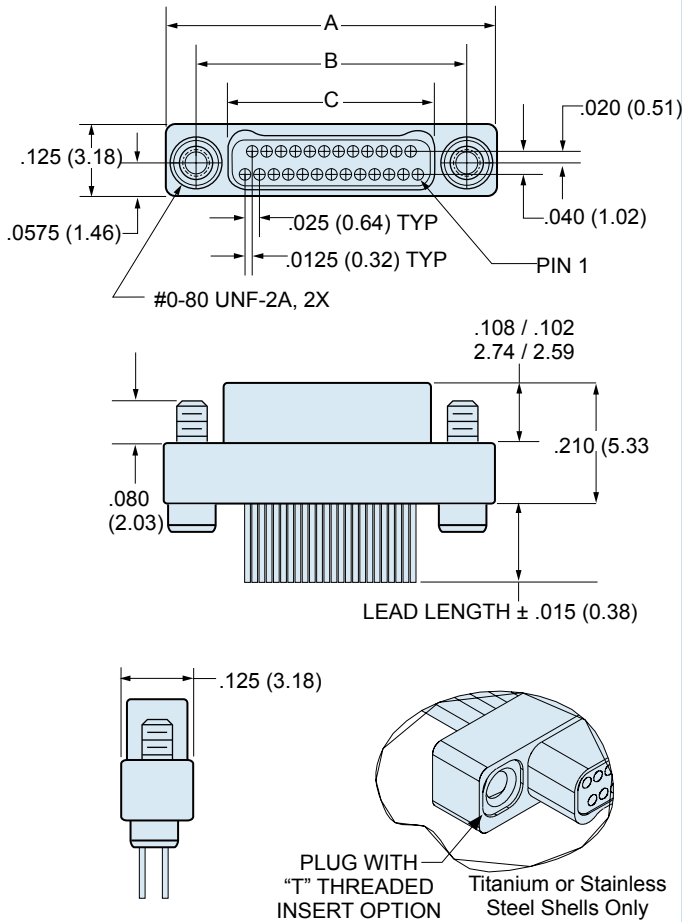
Series 89 Nanominiature Connectors Two Row Pigtail Assemblies, Uninsulated Wire 891-003 and -004



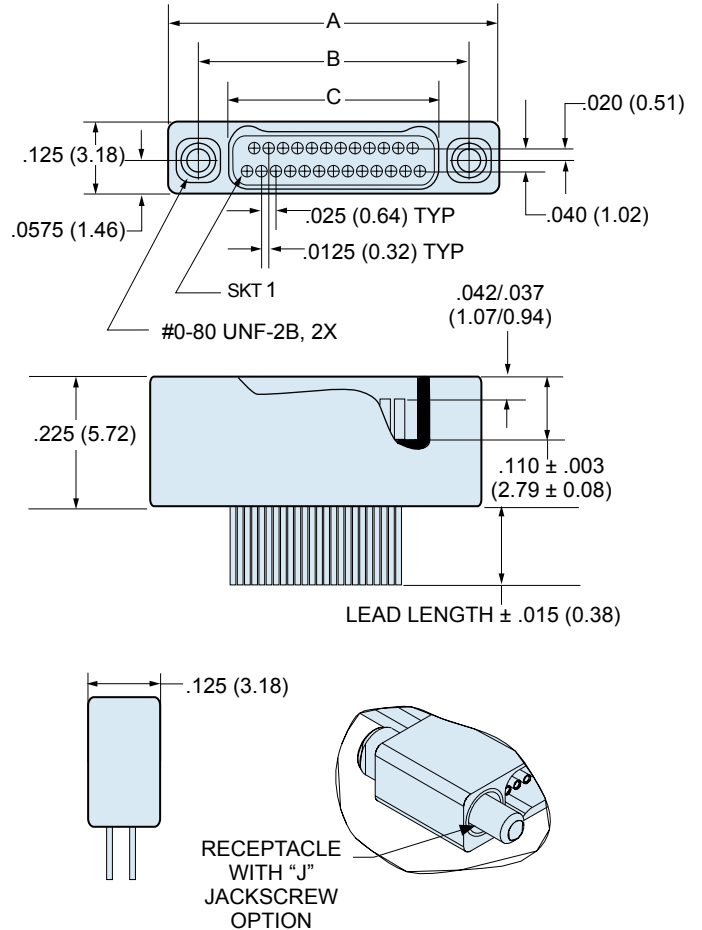
Nano

TWO ROW NANO PIGTAIL DIMENSIONS

Plug (Pin) Connectors



Receptacle (Socket) Connectors



Layout	A		B BSC.		C BSC.	
	In.	mm.	In.	mm.	In.	mm.
9P	.375	9.52	.270	6.86	.160	4.06
9S	.375	9.52	.270	6.86	.163	4.14
15P	.450	11.43	.345	8.76	.235	5.97
15S	.450	11.43	.345	8.76	.238	6.04
21P	.525	13.33	.420	10.67	.310	7.87
21S	.525	13.33	.420	10.67	.313	7.95
25P	.575	14.60	.470	11.94	.360	9.14
25S	.575	14.60	.470	11.94	.363	9.22
31P	.650	16.51	.545	13.84	.435	11.05
31S	.650	16.51	.545	13.84	.438	11.12
37P	.725	18.41	.620	15.75	.510	12.95
37S	.725	18.41	.620	15.75	.513	13.03
51P	.900	22.86	.795	20.19	.685	17.40
51S	.900	22.86	.795	20.19	.688	17.47