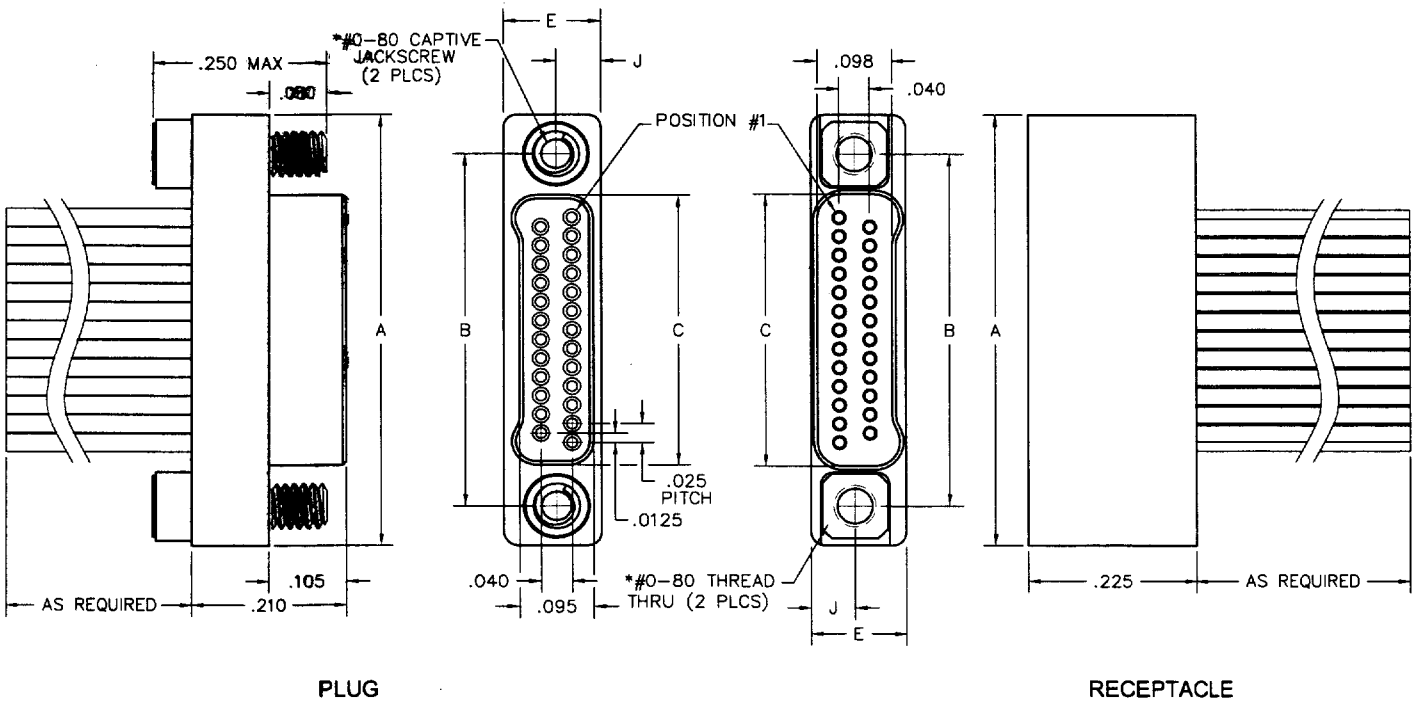
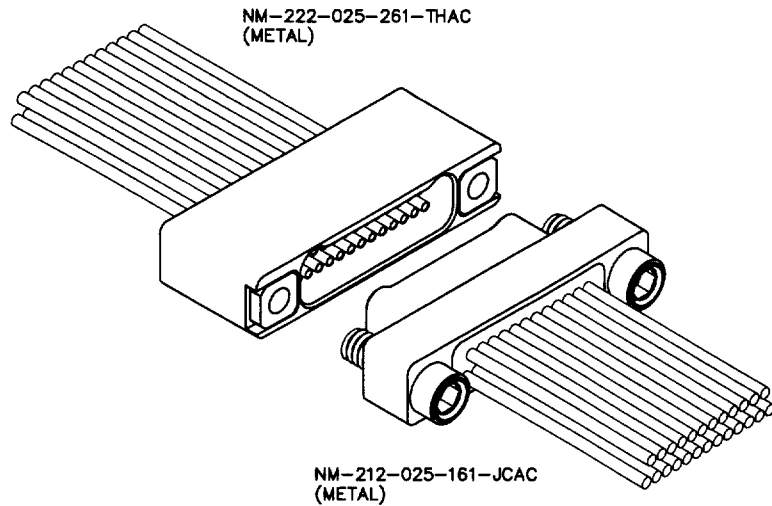


2 · ROW
Cable
to Cable
.025"

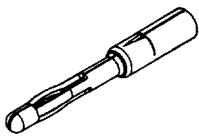
NM, NM

9 thru 85 Contacts

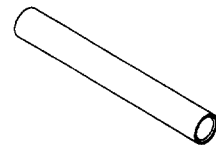


PLUG

RECEPTACLE



PIN CONTACT
3 TINE SPRING MEMBER, CRIMP



SOCKET CONTACT
MACHINED TUBE, CRIMP

SIZE	A		B		C		E	J	*HARDWARE
	PLUG	RCPT	PLUG	RCPT	PLUG	RCPT			
9	.375	.270	.160	.163					
15	.450	.345	.235	.238					
21	.525	.420	.310	.313					
25	.575	.470	.360	.363					
31	.650	.545	.435	.438	.125	.0575	#0-80 THREAD		
37	.725	.620	.510	.513					
51	.900	.795	.685	.688					
65	1.075	.970	.860	.863					
69	1.125	1.020	.910	.913					
85	1.377	1.246	1.110	1.113	.150	.0700	#2-56 THREAD		

PLUG: NM-212-025-161-JCAC
 RECEPTACLE: NM-222-025-261-THAC
 XX-XXX-XXX-XXX-XXXX

PLUG

RECEPTACLE

SERIES

NM .025" Metal I/O Connector | NM .025" Metal I/O Connector

BODY

2	2-Row	2	2-Row
BODY STYLE:		BODY STYLE:	
1	Plug, straight	2	Receptacle, straight
BODY MATERIAL:		BODY MATERIAL:	
2	Liquid Crystal Polymer w/ electroless nickel shell	2	Liquid Crystal Polymer w/ electroless nickel shell
3	Liquid Crystal Polymer w/ electrodeposited cadmium shell	3	Liquid Crystal Polymer w/ electrodeposited cadmium shell

SIZE

XXX Number of contacts (009, 015, 021, 025, 031, 037, 051, 065, 069, or 085) | XXX Number of contacts (009, 015, 021, 025, 031, 037, 051, 065, 069, or 085)

CONTACTS

TYPE CONTACTS/TERMINATIONS:		TYPE CONTACTS/TERMINATIONS:	
16	Pin, straight, crimped wire	26	Socket, straight, crimped wire
PLATING OPTIONS:		PLATING OPTIONS:	
1	50 u" Au contacts	1	50 u" Au contacts

HARDWARE

STYLE OF HARDWARE:		STYLE OF HARDWARE:	
00	None	00	None
JC	Turning jackscrews, captivated #0-80*	JC	Turning jackscrews, captivated #0-80*
TH	Threaded hole, #0-80 UNF*	TH	Threaded hole, #0-80 UNF*
WIRING OPTIONS:		WIRING OPTIONS:	
XX	See wiring codes, Page N-51	XX	See wiring codes, Page N-51

* = #2-56 thread on 85 position connectors