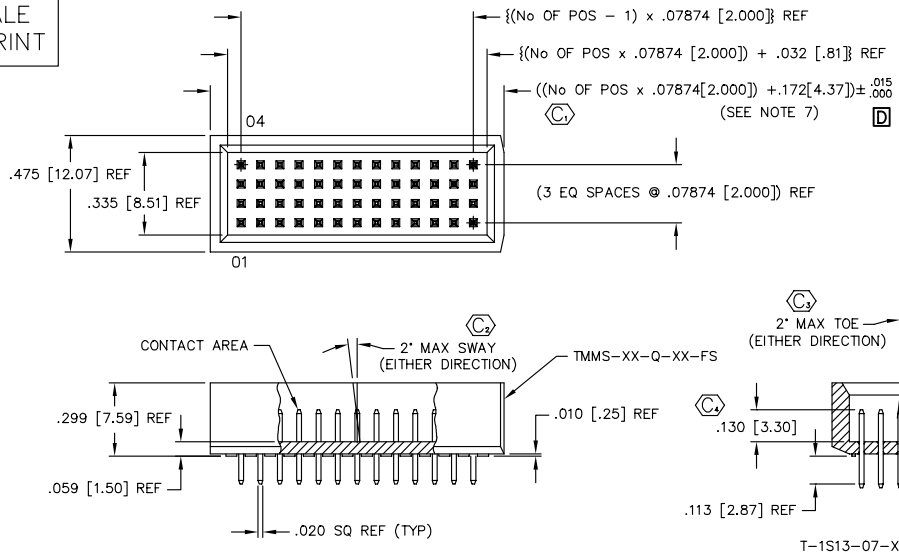


FIG. 1

| | | | | | | | | | |
|--------------------------|-------------------------|-----------------------------|----------------------------|-----------------|--|--|--|-----------------------------|--|
| DIMENSIONS ARE IN INCHES | | UNLESS OTHERWISE NOTED | | TOLERANCES ARE: | | TITLE: 2mm QUAD ROW FULL SHROUD TERMINAL ASM | | DWG NO: TMMS-1XX-XX-Q-XX-FS | |
| ONE PLACE DECIMALS ±.1 | TWO PLACE DECIMALS ±.01 | THREE PLACE DECIMALS ± .005 | FOUR PLACE DECIMALS ± .002 | ANGLES ± 5° | | | | SHEET 1 OF 2 | |

DO NOT SCALE FROM THIS PRINT



TMMS-1XX-XX-Q-XX-FS

No OF POSITIONS
-05 THRU -50

LEAD STYLE
-01: .130 [3.30] POST

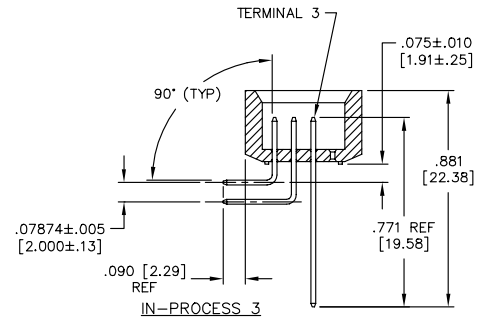
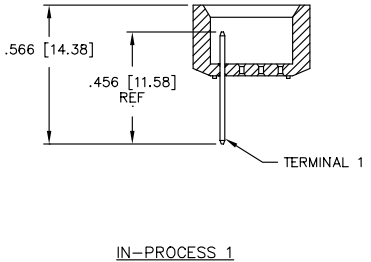
PLATING
-G: GOLD
-S: SELECTIVE GOLD
-L: SELECTIVE LIGHT GOLD
-F: FLASH SELECTIVE GOLD
-FM: FLASH SELECTIVE GOLD/MATTE TIN TAIL
-LM: LIGHT SELECTIVE GOLD/MATTE TIN TAIL
-SM: SELECTIVE GOLD/MATTE TIN TAIL

OPTIONS
-FS: FULL SHROUD (USE TMMS-XX-Q-XX-FS)

OPTION
-RA: RIGHT ANGLE (SEE FIG. 2) (LEAVE BLANK FOR THRU HOLE VERSION)
* -BL: MOLDED BOARD LOCKS (AVAILABLE WITH -RA ONLY) [USE TMMS-XX-Q-XX-BL-FS] (SEE FIG. 3, SHT 2)
* -A: MOLDED ALIGNMENT PIN (AVAILABLE WITH -RA ONLY) [USE TMMS-XX-Q-XX-A-FS] (SEE FIG. 4, SHT 2)

ROW SPECIFICATION
-Q: QUAD ROW (SEE FIG. 1)
(USE TMMS-XX-Q-XX-FS) * = NOT RELEASED FOR PRODUCTION

- NOTES:
- 1.) MAX. ALLOWABLE BOW: .005 IN/IN AFTER ASSEMBLY.
 - 2.) MAX. PIN ROTATION IN BODY: 2°
 - 3.) PUSHOUT FORCE SHALL BE 1 lb MIN.
 - 4.) (C) REPRESENTS A CRITICAL DIMENSION.
 - 5.) ALL DIMENSIONS IN BRACKETS [] TO BE MILLIMETERS.
 - 6.) ALL DIMENSIONS TO BE SYMMETRICAL ABOUT C.L. WITHIN A VARIANCE OF .002 [0.051] UNLESS OTHERWISE NOTED.
 - 7.) .010 [.25] MAX CUT FLASH (BRUSH CLEAN AS NECESSARY).



| TERMINAL 1 | TERMINAL 2 | TERMINAL 3 | TERMINAL 4 |
|----------------|----------------|----------------|----------------|
| T-1S13-13-XX-2 | T-1S13-14-XX-2 | T-1S13-23-XX-2 | T-1S13-24-XX-2 |

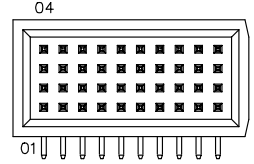
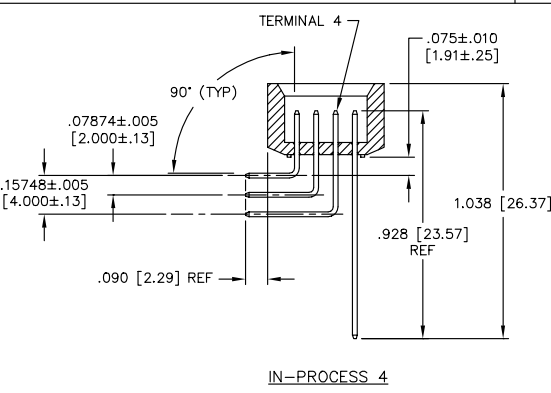
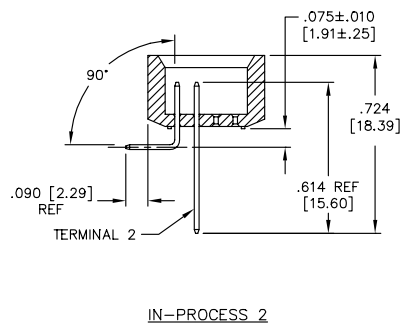
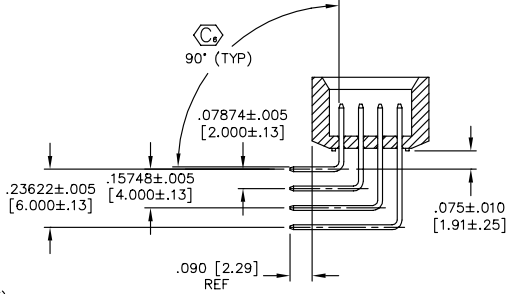
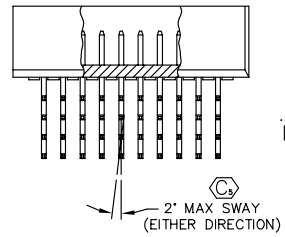


FIG. 2
-RA: RIGHT ANGLE OPTION (DIFFERENT AS SHOWN, OTHERWISE SAME AS FIG. 1)



MATERIAL:
INSULATOR: LCP VECTRA E130, UL RATED 94V-0
COLOR: BLACK
TERMINAL: SPRING TEMPER PHOS BRONZE

samtec

520 PARK EAST BLVD. NEW ALBANY, INDIANA 47150
PHONE (812) 944-6733 P.O. BOX 1147
CODE 55322

MADE BY: CHAD F 12/17/2002

PROPRIETARY NOTE
THIS DOCUMENT CONTAINS INFORMATION CONFIDENTIAL AND PROPRIETARY TO SAMTEC INC. AND SHALL NOT BE REPRODUCED OR TRANSFERRED TO OTHER DOCUMENTS OR DISCLOSED TO OTHERS OR USED FOR ANY PURPOSE OTHER THAN THAT FOR WHICH IT WAS OBTAINED WITHOUT THE EXPRESSED WRITTEN CONSENT OF SAMTEC INC.