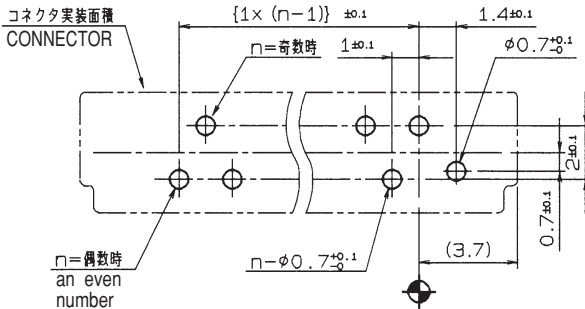
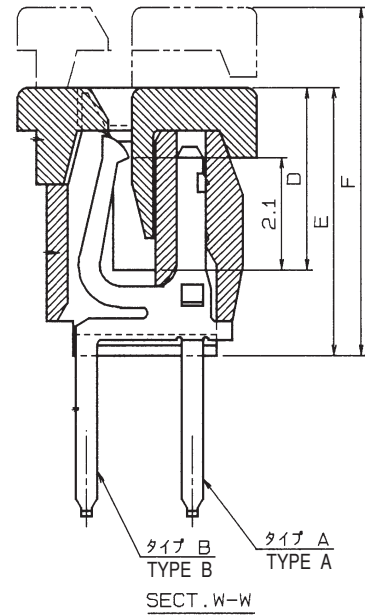
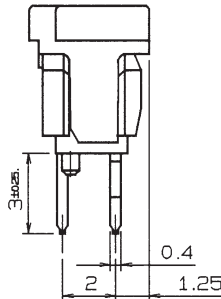
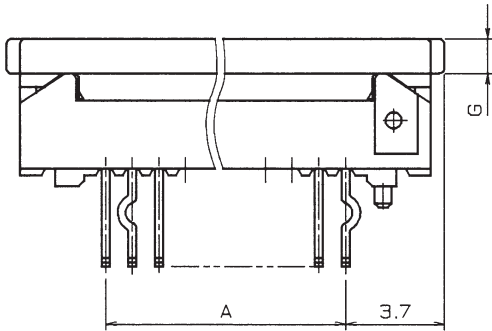
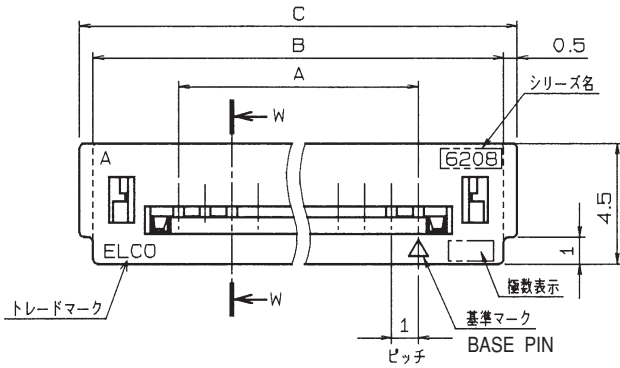


1.0mm Spacing

SERIES

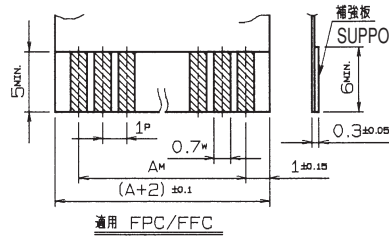
6208 ZIF ストレート DIP

ZIF Vertical Through Hole



基板取付寸法 (コネクタ搭載側)
MOUNTING LAYOUT
(t=1.2~1.6)

種類	公差		
	P	W	M
FPC	±0.02	±0.06	±0.05
FFC	±0.05	±0.03	±0.1



寸法表		取納数量							
極数	型番	A	B	C	D	E	F	G	UNITS/TUBE
5	08 6208 x0 105 001	4.0	10.4	11.4	3.4	5.0	6.5	0.8	42
6	↑ 106 ↑	5.0	11.4	12.4	↑	↑	↑	↑	38
7	↑ 107 ↑	6.0	12.4	13.4	↑	↑	↑	↑	35
8	↑ 108 ↑	7.0	13.4	14.4	↑	↑	↑	↑	33
9	↑ 109 ↑	8.0	14.4	15.4	↑	↑	↑	↑	31
10	↑ 110 ↑	9.0	15.4	16.4	↑	↑	↑	↑	29
11	↑ 111 ↑	10.0	16.4	17.4	↑	↑	↑	↑	27
12	↑ 112 ↑	11.0	17.4	18.4	↑	↑	↑	↑	26
13	↑ 113 ↑	12.0	18.4	19.4	↑	↑	↑	↑	24
14	↑ 114 ↑	13.0	19.4	20.4	↑	↑	↑	↑	23
15	↑ 115 ↑	14.0	20.4	21.4	↑	↑	↑	↑	22
16	↑ 116 ↑	15.0	21.4	22.4	↑	↑	↑	↑	21
17	↑ 117 ↑	16.0	22.4	23.4	↑	↑	↑	↑	20
18	↑ 118 ↑	17.0	23.4	24.4	↑	↑	↑	↑	19
19	↑ 119 ↑	18.0	24.4	25.4	↓	↓	↓	↓	18
20	↑ 120 ↑	19.0	25.4	26.4	3.4	5.0	6.5	0.8	18
21	↑ 121 ↑	20.0	26.4	27.4	3.6	5.2	6.7	1.0	17
22	↑ 122 ↑	21.0	27.4	28.4	↑	↑	↑	↑	17
23	↑ 123 ↑	22.0	28.4	29.4	↑	↑	↑	↑	16
24	↑ 124 ↑	23.0	29.4	30.4	↑	↑	↑	↑	16
25	08 6208 x0 125 001	24.0	30.4	31.4	3.6	5.2	6.7	1.0	15
26	08 6208 x0 126 001	25.0	31.4	32.4	3.9	5.5	7.0	1.3	15
27	↑ 127 ↑	26.0	32.4	33.4	↑	↑	↑	↑	14
28	↑ 128 ↑	27.0	33.4	34.4	↑	↑	↑	↑	14
29	↓ 129 ↓	28.0	34.4	35.4	↓	↓	↓	↓	13
30	08 6208 x0 130 001	29.0	35.4	36.4	3.9	5.5	7.0	1.3	13

注文コード ORDERING CODE
XX 6208 XX0 1XX 001

08: マガジン TUBE PACKAGE
(ONLY WITHOUT KINKED BOSS)
00: トレー梱包
TRAY PACKAGE

0: キンク有 WITH KINKED
1: キンク無 WITHOUT KINKED
0: ボス無 WITHOUT BOSS
1: ボス付 WITH BOSS

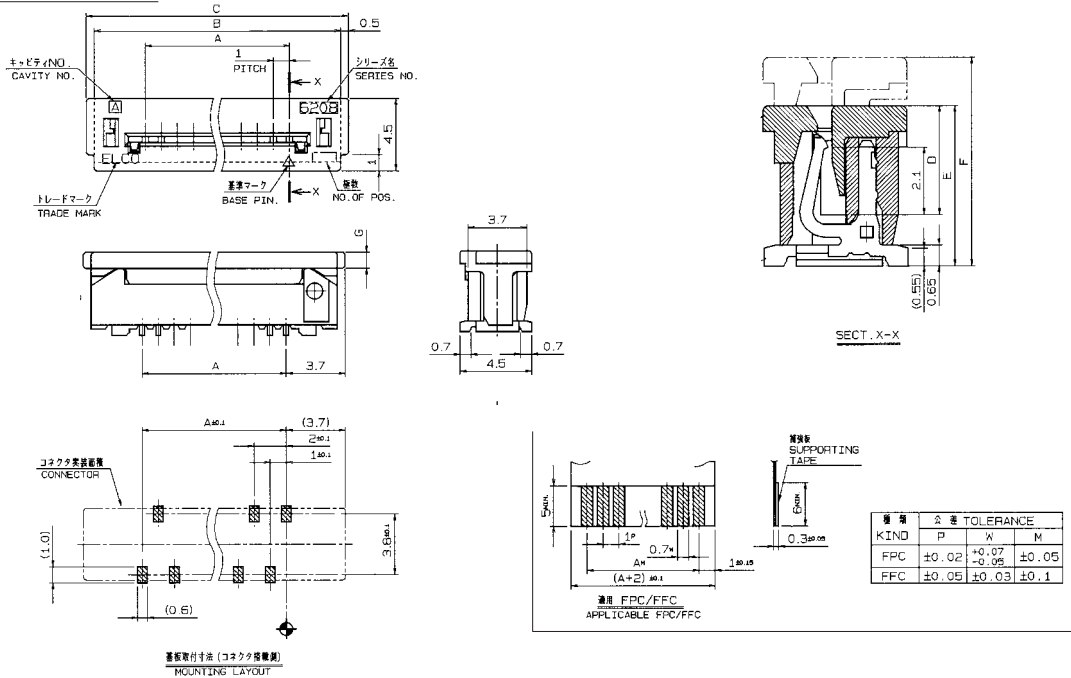
極数
NUMBER
OF
CONTACTS

1.0mm Spacing

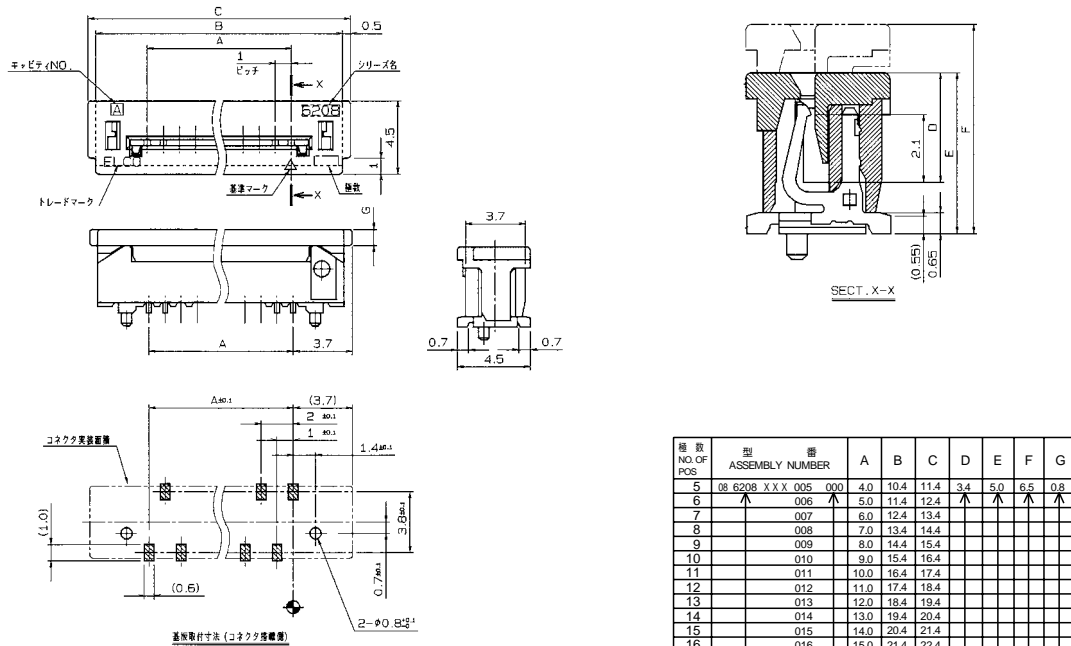
SERIES

6208 ZIF ストレート SMT ZIF Vertical SMT

ボス無 WITHOUT BOSS



ボス付 WITH BOSS



注文コード ORDERING CODE

XX 6208 XXX 0XX 000

00: トレー梱包

TRAY PACKAGE

08: マガジン

TUBE PACKAGE

バリエーション VARIATION CODE

*500: SMT ボス無 WITHOUT BOSS

520: SMT ボス付 WITH BOSS

極数
NUMBER
OF
CONTACTS

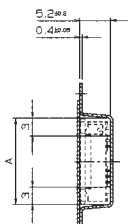
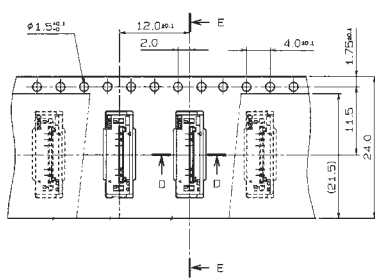
極数 NO. OF POS.	組 ASSEMBLY NUMBER	A	B	C	D	E	F	G	収納数 UNITS/TUBE
5	08 6208 X X X 005 000	4.0	10.4	11.4	3.4	5.0	6.5	0.8	42
6	006	5.0	11.4	12.4	↑	↑	↑	↑	38
7	007	6.0	12.4	13.4	↑	↑	↑	↑	35
8	008	7.0	13.4	14.4	↑	↑	↑	↑	33
9	009	8.0	14.4	15.4	↑	↑	↑	↑	31
10	010	9.0	15.4	16.4	↑	↑	↑	↑	29
11	011	10.0	16.4	17.4	↑	↑	↑	↑	27
12	012	11.0	17.4	18.4	↑	↑	↑	↑	26
13	013	12.0	18.4	19.4	↑	↑	↑	↑	24
14	014	13.0	19.4	20.4	↑	↑	↑	↑	23
15	015	14.0	20.4	21.4	↑	↑	↑	↑	22
16	016	15.0	21.4	22.4	↑	↑	↑	↑	21
17	017	16.0	22.4	23.4	↑	↑	↑	↑	20
18	018	17.0	23.4	24.4	↑	↑	↑	↑	19
19	019	18.0	24.4	25.4	↓	↓	↓	↓	18
20	020	19.0	25.4	26.4	3.4	5.0	6.5	0.8	18
21	021	20.0	26.4	27.4	3.6	5.2	6.7	1.0	17
22	022	21.0	27.4	28.4	↑	↑	↑	↑	16
23	023	22.0	28.4	29.4	↑	↑	↑	↑	16
24	024	23.0	29.4	30.4	↓	↓	↓	↓	15
25	025	24.0	30.4	31.4	3.6	5.2	6.7	1.0	15
26	026	25.0	31.4	32.4	3.9	5.5	7.0	1.3	-
28	028	27.0	33.4	34.4	3.9	5.5	7.0	1.3	-
30	08 6208 X X X 030 000	29.0	35.4	36.4	3.9	5.5	7.0	1.3	-

1.0mm Spacing

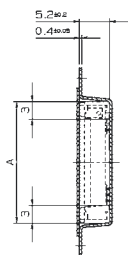
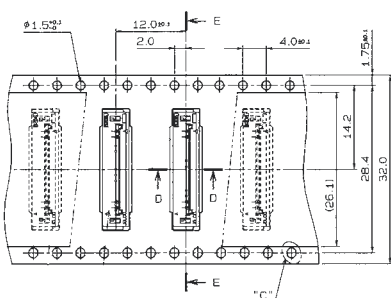
SERIES

6208 エンボス梱包品

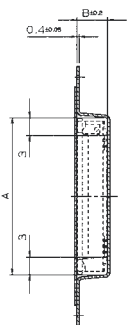
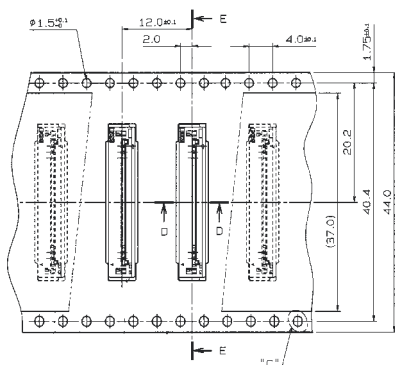
Tape and Reel Package



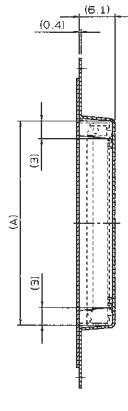
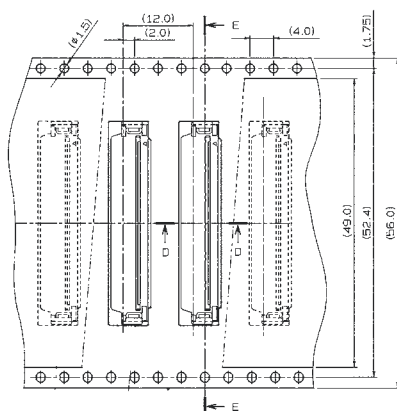
型番 P/N	極数 NO.OF POS	A
00 6208 505 110 000	5	11.6
↑ 506 ↑	6	12.6
507 ↑	7	13.6
508 ↑	8	14.6
↓ 509 ↓	9	15.6
00 6208 510 110 000	10	16.6



型番 P/N	極数 NO.OF POS	A
00 6208 511 210 000	11	17.6
↑ 512 ↑	12	18.6
513 ↑	13	19.6
514 ↑	14	20.6
↓ 515 ↓	15	21.6
00 6208 516 210 000	16	22.6



型番 P/N	極数 NO.OF POS	A
00 6208 517 310 000	17	23.6
↑ 518 ↑	18	24.6
519 ↑	19	25.6
520 ↑	20	26.6
521 ↑	21	27.6
522 ↑	22	28.6
523 ↑	23	29.6
↓ 524 ↓	24	30.6
↓ 525 ↓	25	31.6
00 6208 526 310 000	26	32.6



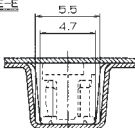
型番 P/N	極数 NO.OF POS	A
00 6208 528 410 000	28	34.7
00 6208 530 410 000	30	36.7

注文コード ORDERING CODE

00 6208 5XX X10 000

極数
NUMBER
OF
POSITIONS

バリエーション VARIATION CODE
 1 : エンボス Tape and Reel 24.0mm
 2 : エンボス Tape and Reel 32.0mm
 3 : エンボス Tape and Reel 44.0mm
 4 : エンボス Tape and Reel 56.0mm



SECT. D-D

梱包数量 1000ヶ/リール
(1000 connectors per Tape and Reel.)