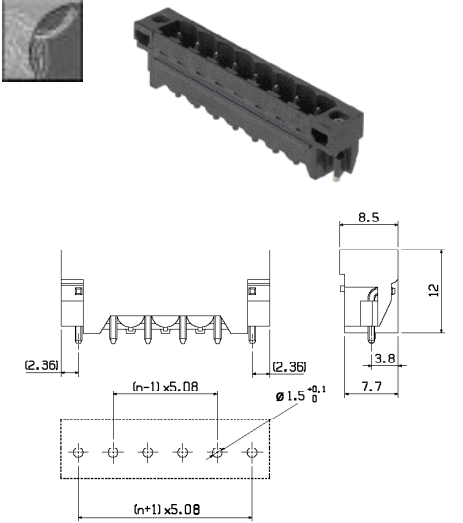


Omnimate Range - 5.08 mm Pitch



Pin headers SL-SMT 5.08/180LF



Reflow compatible solder flange pin headers

The SL-SMT 5.00/5.08 pin headers with integrated flanges enable a screwless and secure connection to the pcb. The integrated soldering pins can be used for all soldering processes - no additional mounting operation onto the pcb is necessary.

Technical Data	VDE	UL	CSA
Rated voltage	V	250*	300 300
Rated current	A	15	15 10


*Overvoltage category III / Pollution severity 3
Additional technical data see page 2

Technical Data	VDE	UL	CSA
Rated voltage	V	250*	300 300
Rated current	A	15	15 10

*Overvoltage category III / Pollution severity 3
Additional technical data see page 2

Technical Data	VDE	UL	CSA
Rated voltage	V	250*	300 300
Rated current	A	15	15 10


*Overvoltage category III / Pollution severity 3
Additional technical data see page 2

Solder pin length: 1.5 mm
Tape-on-Reel: 
Color: Black
Tape width: 56 mm

Poles	Type	Part No.	Qty.
2	SL-SMT 5.08/2/180LF	1776364001	200
3	SL-SMT 5.08/3/180LF	1776374001	200
4	SL-SMT 5.08/4/180LF	1776384001	200
5	SL-SMT 5.08/5/180LF	1776394001	200
6	SL-SMT 5.08/6/180LF	1776404001	200
7	SL-SMT 5.08/7/180LF	1776413001	30
8	SL-SMT 5.08/8/180LF	1776423001	30
9	SL-SMT 5.08/9/180LF	1776433001	24
10	SL-SMT 5.08/10/180LF	1776443001	24
11	SL-SMT 5.08/11/180LF	1776453001	24
12	SL-SMT 5.08/12/180LF	1776463001	18
13	SL-SMT 5.08/13/180LF	1776473001	18
14	SL-SMT 5.08/14/180LF	1776483001	18
15	SL-SMT 5.08/15/180LF	1776493001	18
16	SL-SMT 5.08/16/180LF	1776503001	12
17	SL-SMT 5.08/17/180LF	1776513001	12
18	SL-SMT 5.08/18/180LF	1776523001	12
19	SL-SMT 5.08/19/180LF	1776533001	12
20	SL-SMT 5.08/20/180LF	1776543001	12
21	SL-SMT 5.08/21/180LF	1776553001	12
22	SL-SMT 5.08/22/180LF	1776573001	12
23	SL-SMT 5.08/23/180LF	1776583001	12
24	SL-SMT 5.08/24/180LF	1776593001	12


Additional pole numbers and tape widths on request.
Minimum order quantities may apply.

Accessories see PCB Products Selection Guide	Page
Fixing	integrated in product
Marking	190
Coding	192,193
Miscellaneous	-

Solder pin length: 1.5 mm
Tray: 
Color: Black

Poles	Type	Part No.	Qty.
2	SL-SMT 5.08/2/180LF	1776363001	66
3	SL-SMT 5.08/3/180LF	1776373001	54
4	SL-SMT 5.08/4/180LF	1776383001	48
5	SL-SMT 5.08/5/180LF	1776393001	42
6	SL-SMT 5.08/6/180LF	1776403001	36
7	SL-SMT 5.08/7/180LF	1776413001	30
8	SL-SMT 5.08/8/180LF	1776423001	30
9	SL-SMT 5.08/9/180LF	1776433001	24
10	SL-SMT 5.08/10/180LF	1776443001	24
11	SL-SMT 5.08/11/180LF	1776453001	24
12	SL-SMT 5.08/12/180LF	1776463001	18
13	SL-SMT 5.08/13/180LF	1776473001	18
14	SL-SMT 5.08/14/180LF	1776483001	18
15	SL-SMT 5.08/15/180LF	1776493001	18
16	SL-SMT 5.08/16/180LF	1776503001	12
17	SL-SMT 5.08/17/180LF	1776513001	12
18	SL-SMT 5.08/18/180LF	1776523001	12
19	SL-SMT 5.08/19/180LF	1776533001	12
20	SL-SMT 5.08/20/180LF	1776543001	12
21	SL-SMT 5.08/21/180LF	1776553001	12
22	SL-SMT 5.08/22/180LF	1776573001	12
23	SL-SMT 5.08/23/180LF	1776583001	12
24	SL-SMT 5.08/24/180LF	1776593001	12

Accessories see PCB Products Selection Guide	Page
Fixing	integrated in product
Marking	190
Coding	192,193
Miscellaneous	-

Solder pin length: 1.5 mm
Standard Box: 
Color: Black

Poles	Type	Part No.	Qty.
2	SL-SMT 5.08/2/180LF	1776362001	100
3	SL-SMT 5.08/3/180LF	1776372001	100
4	SL-SMT 5.08/4/180LF	1776382001	100
5	SL-SMT 5.08/5/180LF	1776392001	50
6	SL-SMT 5.08/6/180LF	1776402001	50
7	SL-SMT 5.08/7/180LF	1776412001	50
8	SL-SMT 5.08/8/180LF	1776422001	50
9	SL-SMT 5.08/9/180LF	1776432001	50
10	SL-SMT 5.08/10/180LF	1776442001	50
11	SL-SMT 5.08/11/180LF	1776452001	50
12	SL-SMT 5.08/12/180LF	1776462001	50
13	SL-SMT 5.08/13/180LF	1776472001	50
14	SL-SMT 5.08/14/180LF	1776482001	50
15	SL-SMT 5.08/15/180LF	1776492001	50
16	SL-SMT 5.08/16/180LF	1776502001	50
17	SL-SMT 5.08/17/180LF	1776512001	20
18	SL-SMT 5.08/18/180LF	1776522001	20
19	SL-SMT 5.08/19/180LF	1776532001	20
20	SL-SMT 5.08/20/180LF	1776542001	20
21	SL-SMT 5.08/21/180LF	1776552001	20
22	SL-SMT 5.08/22/180LF	1776572001	20
23	SL-SMT 5.08/23/180LF	1776582001	20
24	SL-SMT 5.08/24/180LF	1776592001	20

Accessories see PCB Products Selection Guide	Page
Fixing	integrated in product
Marking	190
Coding	192,193
Miscellaneous	-