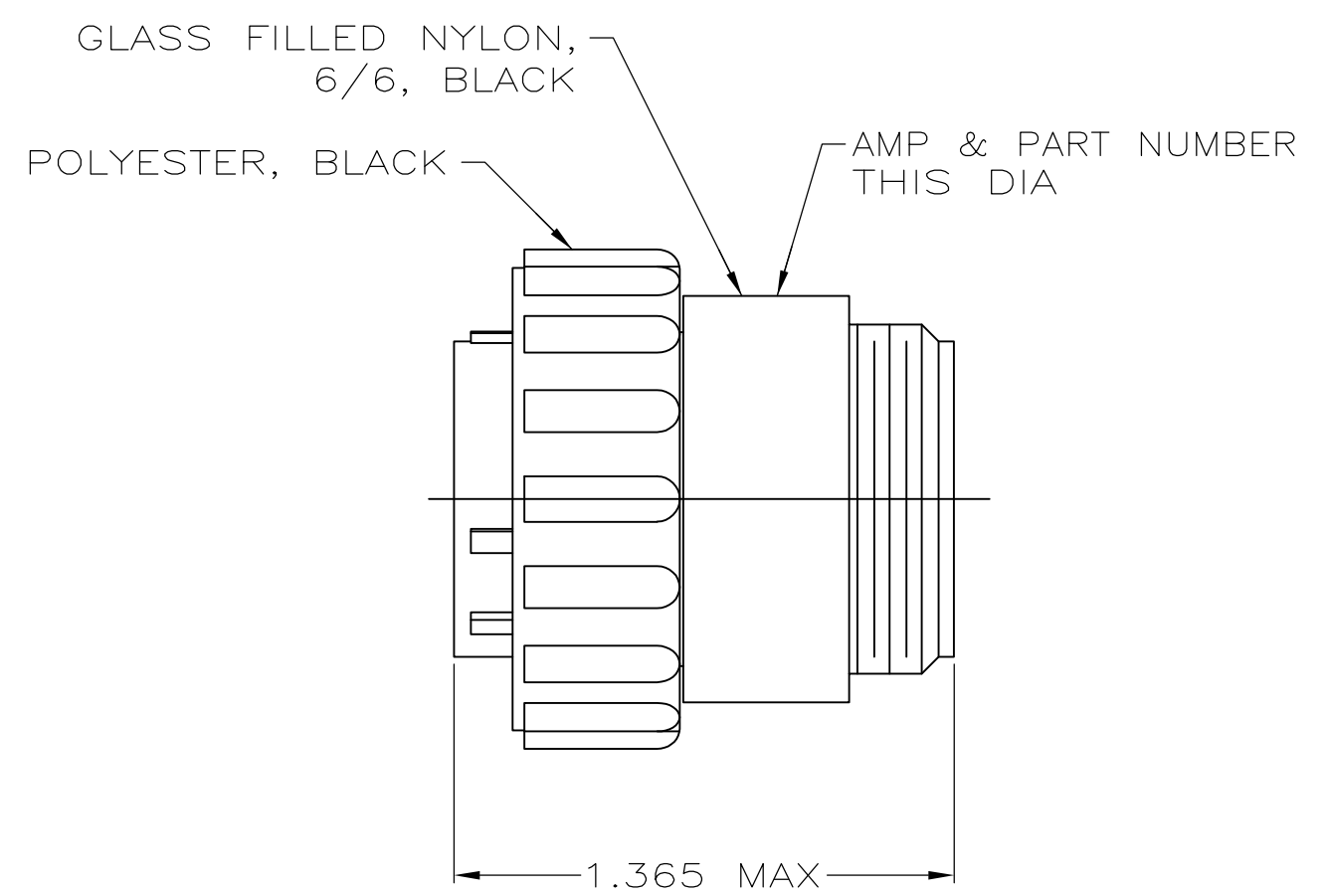
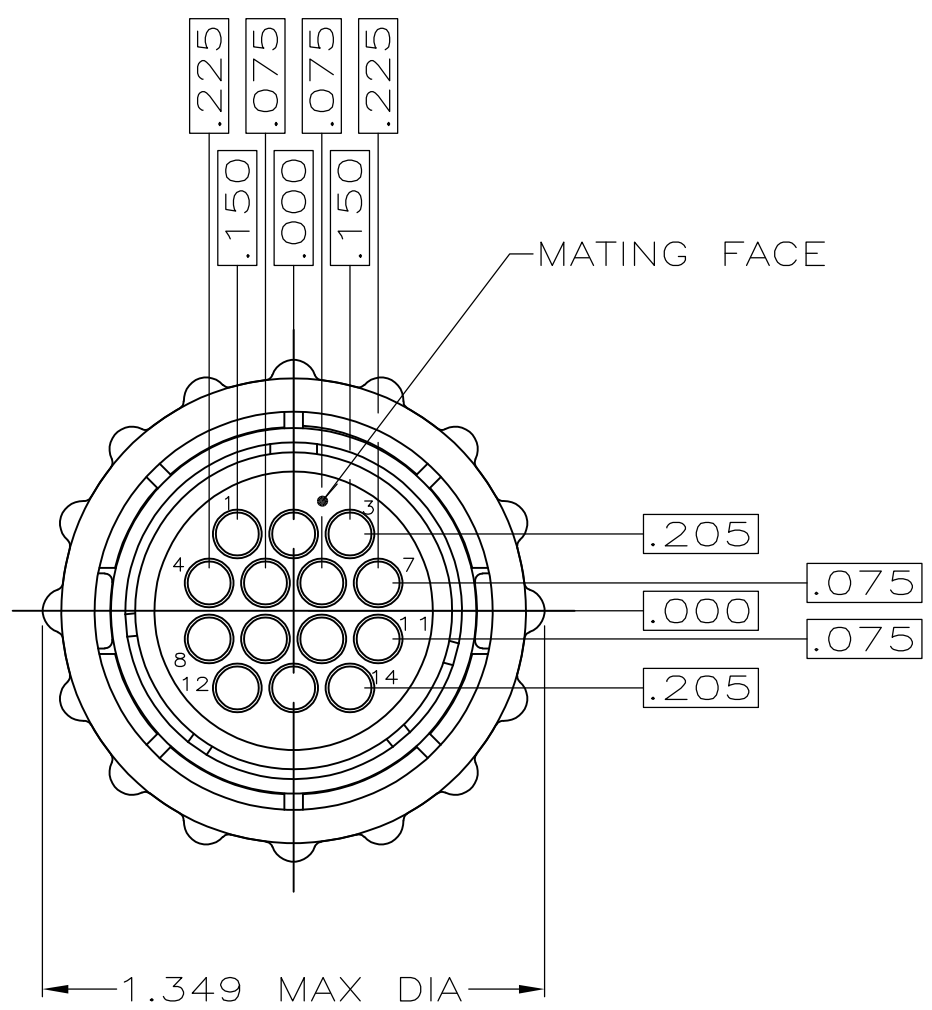


THIS DRAWING IS UNPUBLISHED. RELEASED FOR PUBLICATION
 © COPYRIGHT - By - ALL RIGHTS RESERVED.

LOC	DIST	REVISIONS			
P	LTR	DESCRIPTION	DATE	DWN	APVD
FT	4	G1	REVISED PER ECO-11-004587	11MAR11	RK HMR



206044-1
 PART NUMBER

- CONTACT CAVITIES IDENTIFIED BY CHARACTERS ON FRONT AND REAR FACE OF CONNECTOR.
- WILL ACCEPT (14) MULTIMATE PIN CONTACTS.

THIS DRAWING IS A CONTROLLED DOCUMENT.		DWN S.RIDGLEY 7/31/90 BG	TE Connectivity				
DIMENSIONS: INCHES		CHK R.STONE 04/26/91					
TOLERANCES UNLESS OTHERWISE SPECIFIED:		APVD K.BEAVER 04/30/91	NAME				
0 PLC ± - 1 PLC ± - 2 PLC ± - 3 PLC ± - 4 PLC ± - ANGLES ± -		PRODUCT SPEC	PLUG ASSEMBLY, SHELL SIZE 17, REVERSE SEX, CPC				
MATERIAL SEE CALLOUTS		FINISH -	APPLICATION SPEC	SIZE	CAGE CODE	DRAWING NO	RESTRICTED TO
		WEIGHT -		A3	00779	C-206044	-
CUSTOMER DRAWING			SCALE 2:1	SHEET 1 OF 1	REV G1		