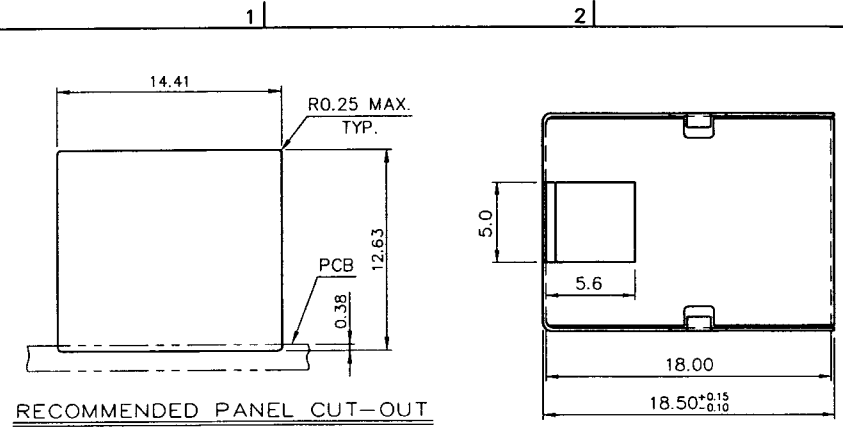
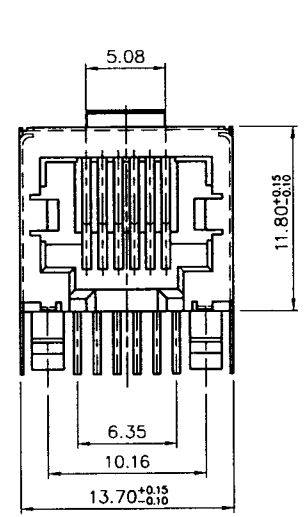


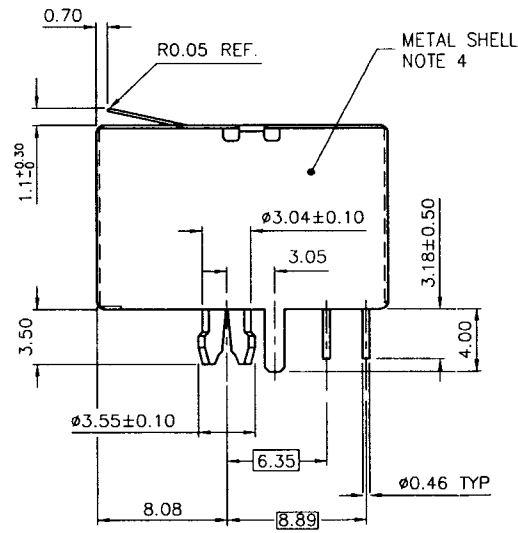
All rights strictly reserved. Reproduction or issue to third parties in any form without the written authority from the proprietor.  
 Tous droits strictement réservés. Reproduction ou communication à des tiers sans autorisation écrite du propriétaire.  
 Property of BERG ELECTRONICS. Copyright BERG ELECTRONICS by  
 Property of BERG ELECTRONICS. Droits de reproduction BERG ELECTRONICS by



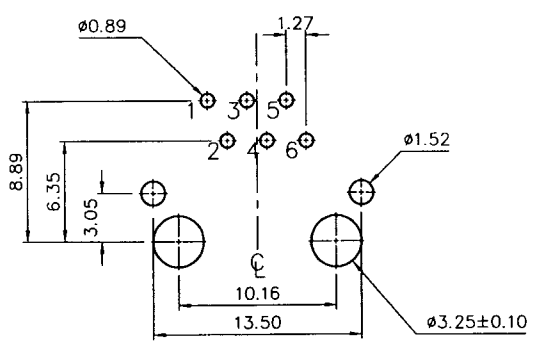
RECOMMENDED PANEL CUT-OUT



RECOMMENDED P.C.B. LAOUT



POS. NO. CONFIGURATION



NOTES:

- RECOMMENDED P.C.B. THICKNESS 1.60 MM
- HOUSING MAT'L: NYLON 66, 25% GLASS REINFORCED, COLOR: SEE TABLE
- CONTACTS: PHOS BRONZE ALLOY UNS-C51000, Ø 0.460 ROUND WIRE, PLATING SEE TABLE.
- METAL SHELL MATERIAL: COPPER ALLOY, 0.20MM THICK. FINISH: TIN-LEAD, 100 µ" THICK
- PACKAGING PER GES-14-361, USING TUBE

PRODUCT NO	NUMBER OF POS.	LOADED POSITION	HSG COLOR
61887-X661	6	ALL POS.	BLACK
61887-X641		2,3,4,5	
61887-X621		3,4	
61887-X662	6	ALL POS.	GRAY
61887-X642		2,3,4,5	
61887-X622		3,4	

PLATING CODE X	PLATING
0	30 µ" G.X.T.
1	15 µ" AU
2	20 µ" GFDP
3	30 µ" AU
4	15 µ" G.X.T.
5	50 µ" AU
6	6 µ" AU
7	2 µ" AU

mat'l code		tolerance unless otherwise specified		CUSTOMER COPY		<b>BERG ELECTRONICS</b>	
rev.	ecn no.	dr	date	linear	.0 ± 0.25	projection	title
A	T70292	C L	10/08/97		.00 ± 0.13		LOW PROFILE PCB III M/J
B	T80057	CARRY L	02/11/98	angles	.000 ± 0.05		FULLY SHIELDED(CUSTOMER SPECIAL)
C	T80510	M W	11/18/98		± 2'	unit	product family
				dr	C M HSU 03/27/97	mm/inch	MOD JACK
				enr	TONY CHIEN 03/27/97	scale	code
				chr	TONY CHIEN 03/27/97	3 : 1	TWN
				appd	JENN TSAO 03/27/97	A3	sheet
sheet	revision	C				61887	
index	sheet	1				1 OF 1	