

## ACT225SMX-4

Only 1.5mm high and with a small footprint, the ACT225SMX-4 is ideal for fitting on high density boards where height restriction is a constraint. This part offers good environmental and heat resisting characteristics due to the highly reliable ceramic package.

These devices can be used in a wide range of applications including Communications & Audio Visual equipment, measuring Instruments and all manner of both portable and static products.



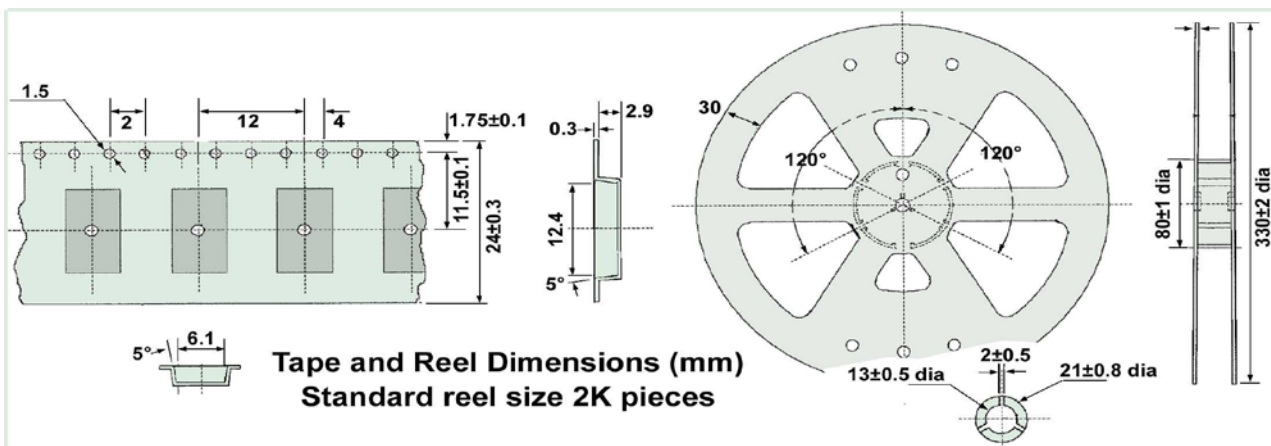
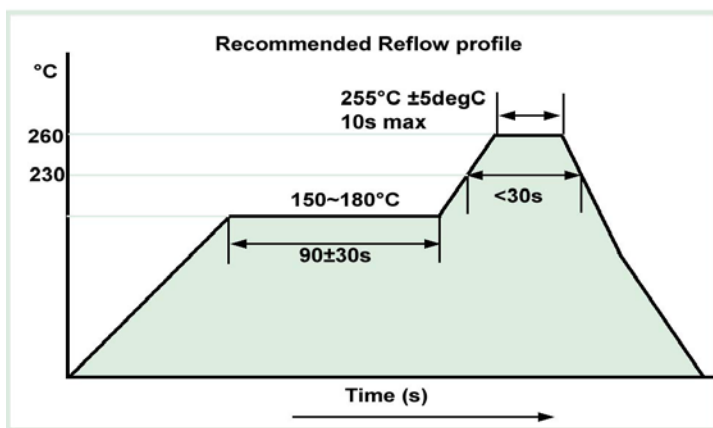
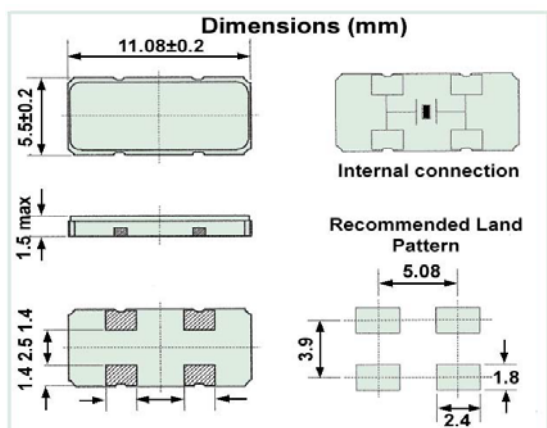
### Specification

Parameter	Symbol	Specification	Condition
Frequency Range	fo	3.27MHz ~ 30MHz	Please specify
Frequency Tolerance	$\Delta f/f_0$	standard $\pm 50$ ppm @25°C others available.	Please specify
Temp Operating Range	Topr	-10 +60 °C (others available)	Please specify
Frequency Stability	$\Delta f/f_0$	$\pm 50$ ppm (Others available)	-10 to +60°C Please specify
Temp Storage Range	Tstg	-40°C ~ +85°C	
Equivalent Series Resistance	ESR	See table 1 below	@25°C
Shunt Capacitance	C0	7pF max	
Load Capacitance	CL	10 ~ 30pF & SR	Please specify
Drive Level	DL	100+/-10 $\mu$ W	
Insulation Resistance	IR	500M $\Omega$ Min	
Reflow		See Recommended Re-flow diagram below	
Aging (Per Year)	Fa	$\pm 5$ ppm	@ 25 $\pm 3$ °C

Table 1

Frequency (MHz)	ESR ( $\Omega$ ) Max
3.27 ~ <3.99	200
4.00 ~ <4.99	150
5.00 ~ <5.99	120
6.00 ~ <6.99	100
7.00 ~ <8.99	80
9.00 ~ <13.00	60
13.01 ~ 30.00	40

Pad Surface Material Au



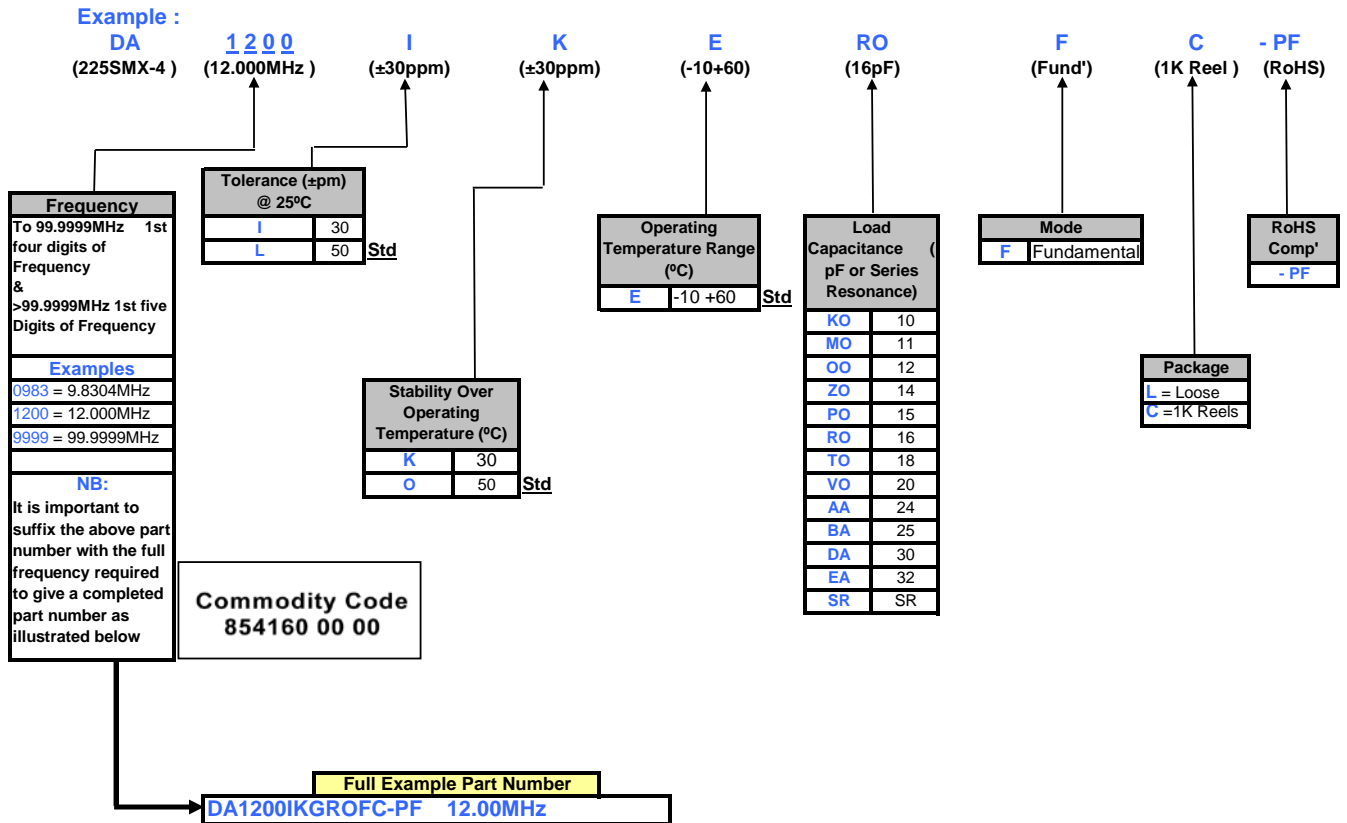
Please note that all parameters can not necessarily be specified in the same device

Customer to specify : Frequency, Frequency Tolerance, Temperature Stability, Operating temperature range, Load Capacitance  
 In line with our ongoing policy of product evolution and improvement, the above specification may be subject to change without notice

ISO9001:2000 Registered

For quotations or further information please contact us at:  
 3 The Business Centre, Molly Millars Lane, Wokingham, Berkshire, RG41 2EY, UK  
<http://www.actcrystals.com>

**SERIES : ACT225SMX -4 Part numbering code is DA**



**NOTES :**

- 1) ACT are always happy to consider truly custom specification parts which may require non-standard specification parameters, specific testing, customer requested AQL requirements, non standard packaging or taping and reeling and custom marking. Such devices would normally be allocated a custom specification part number which is wholly customer specific. This will be MOQ dependent. ( EG : A 12.00MHz custom ACT225SMX -4device may have a part number such as DA1200C- C1555-PF)
- 2) Frequencies below 10.000MHz are prefixed with a "0" (eg: 0900 = 9MHz. Whereas 10.000MHz is 1000 )