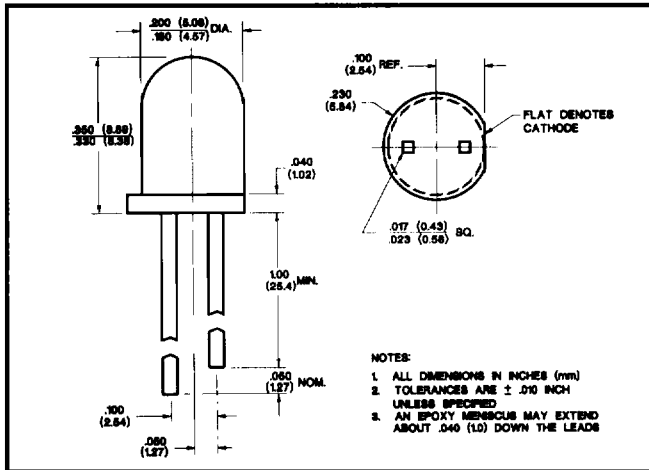




T-1³/₄ Diffused LED Lamps

DESCRIPTION AND FEATURES

4
Solid State
Products



These LED lamps offer a variety of diffused lens effects and color availability. These lamps are available with both wide view angles and narrow view angles for high bright direct viewing. The High Efficiency Red and Yellow lamps are produced with GaAsP/GaP and the High Efficiency Green lamp is produced with GaP/GaP. This compact, rugged and lightweight LED lamp requires low power and allows for versatile PC board or panel mounting.

ELECTRO-OPTICAL CHARACTERISTICS

Part Number	Emitted Color	Lens Color	Lens Type	Luminous Intensity			Forward Voltage			Capacitance pF V _r =0, f=1MHz	Peak Wavelength (nm)	View Angle (Degrees)
				Min. mcd	Typ. mcd	mA	Typ.	Max.	mA			
CMD6153	H.E. Red	Amber	Diffused	3.0	15.0	20	2.0	3.0	20	45	635	65
CMD6154A	H.E. Red	Amber	Diffused	10.0	25.0	20	2.0	3.0	20	45	635	24
CMD6353	Yellow	Yellow	Diffused	2.5	15.0	20	2.1	3.0	20	45	585	65
CMD6354A	Yellow	Yellow	Diffused	10.0	25.0	20	2.1	3.0	20	45	585	24
CMD64530	H.E. Green	Green	Diffused	3.0	20.0	20	2.2	3.0	20	20	562	75
CMD64531	H.E. Green	Green	Diffused	7.0	20.0	20	2.2	3.0	20	20	562	75
CMD6454A	H.E. Green	Green	Diffused	10.0	30.0	20	2.2	3.0	20	20	562	24
CMD6753	H.E. Red	Red	Diffused	3.0	10.0	20	2.0	3.0	20	45	635	65
CMD6754A	H.E. Red	Red	Diffused	15.0	25.0	20	2.0	3.0	20	45	635	24

ABSOLUTE MAXIMUM RATINGS

	H.E. Red, Yellow and Orange	H. E. Green	Units
Power Dissipation	120	120	mW
Storage/Operating Temperature	-55 to +100	-55 to +100	°C
Lead Solder Time at 260°C	5	5	Seconds
Peak Forward Current (1 micro second pulse, 0.3% duty cycle)	1000	90	mA
Reverse Voltage (I _R = 100µA)	5.0	5.0	V
Average Forward Current	35	30	mA

TYPICAL CHARACTERISTIC CURVES

