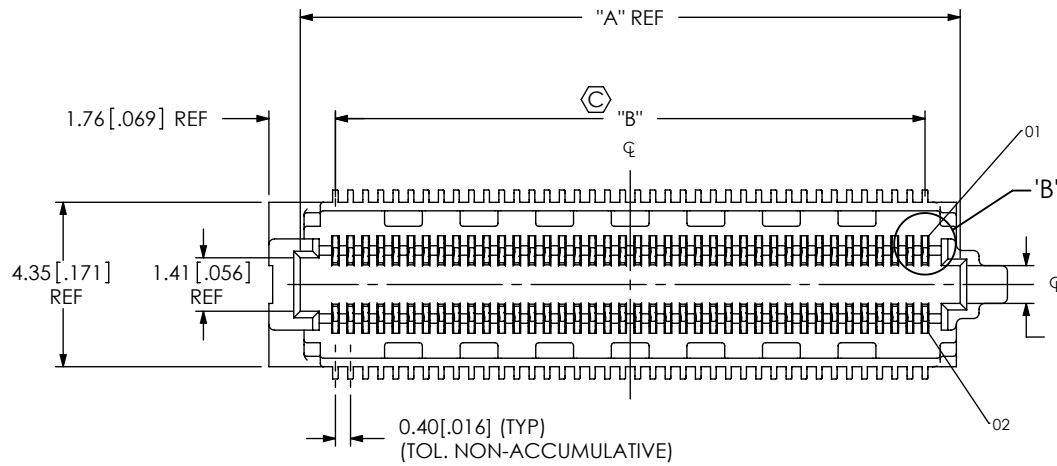


DESIGNED & DIMENSIONED
IN MILLIMETERS [INCHES]

SS4-XX-X.XX-X-D-X-XX-TR



No OF POSITIONS
-10, *-15, -20, -30, -40, -50
(PER ROW) **G**

LEAD STYLE
-3.00: SEE FIG. 1
(USE C-229-3.00-L)
-3.50: SEE FIG. 2, SHEET 2
(USE C-229-3.50-L)

PACKAGING
-TR: TAPE AND REEL
PACKAGING
(SEE NOTE 4)

PLACEMENT PAD
-K: KAPTON PAD
(USE K-500-300)
(SEE FIG. 4 & 5, SHEET 3)
-PA: PICK & PLACE WITH
ALIGNMENT PINS
(SEE FIG. 6 SHT 4)
(NOT AVAILABLE IN -15 POS)

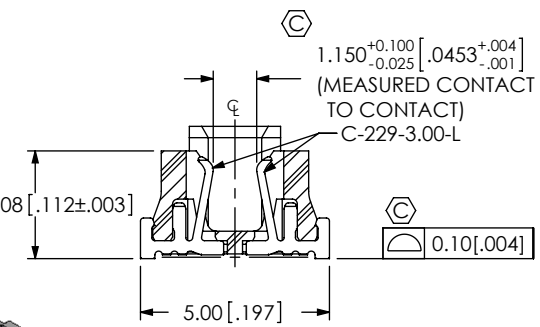
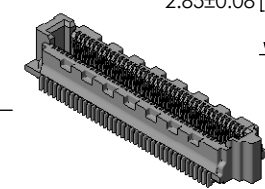
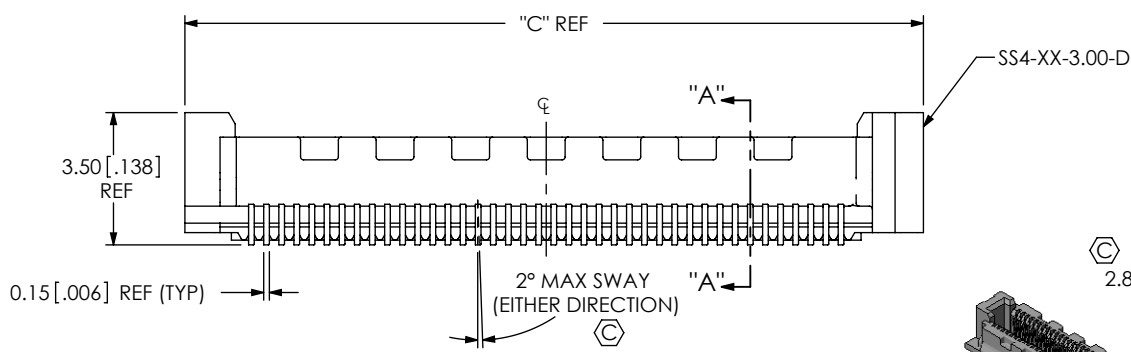
OPTIONS **G**
*L: LATCHING
(USE WT-40-X-XX-T)
(SEE NOTE 3)
(LEAVE BLANK FOR NO OPTION)

ROW SPECIFICATION
-D: DOUBLE

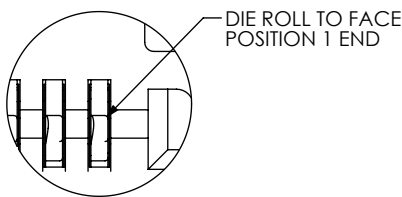
PLATING
-L: LIGHT SELECTIVE GOLD
(USE C-229-X-XX-L)

* = TOOLED ONLY FOR THE -3.00 LEAD STYLE
** = NOT RELEASED FOR PRODUCTION

FIG. 1
SS4-40-3.00-L-D SHOWN



SECTION "A"- "A"
SCALE 5:1



DETAIL 'B'
SCALE 15:1

POS	"A"	"B"	"C"
-10	5.46 [.215]	3.60 [.142]	7.54 [.297]
*-15	7.46 [.294]	5.60 [.220]	9.54 [.376]
-20	9.46 [.372]	7.60 [.299]	11.54 [.454]
-30	13.46 [.530]	11.60 [.457]	15.54 [.612]
-40	17.46 [.687]	15.60 [.615]	19.54 [.769]
-50	21.46 [.844]	19.60 [.772]	23.54 [.927]

* = TOOLED ONLY FOR THE -3.00 LEAD STYLE

SS4 LEAD STYLE	ST4 LEAD STYLE		
	-1.00	-1.50	-2.50
-3.00	4.0MM	4.5MM	5.5MM
-3.50	4.5MM	5.0MM	6.0MM

NOTES:

1. Ⓞ REPRESENTS A CRITICAL DIMENSION.
2. MINIMUM PUSHOUT FORCE: 2.22N [5 LB].
3. -L: LATCHING OPTION NOT INTENDED FOR ALIGNMENT TO PCB. AUTOMATED PLACEMENT IS RECOMMENDED.
4. FOR QUANTITIES UP TO 49 PIECES, NO LEADER, TRAILER, OR REEL WILL BE SUPPLIED. FOR QUANTITIES OF 50-124 PIECES, NO LEADER OR TRAILER WILL BE SUPPLIED.

UNLESS OTHERWISE SPECIFIED,
DIMENSIONS ARE IN MILLIMETERS.
TOLERANCES ARE:
DECIMALS ANGLES
.X: ±0.3 [.01] 2°
.XX: ±0.13 [.005]
.XXX: ±0.051 [.0020]

PROPRIETARY NOTE
THIS DOCUMENT CONTAINS INFORMATION
CONFIDENTIAL AND PROPRIETARY TO
SAMTEC, INC. AND SHALL NOT BE REPRODUCED
OR TRANSFERRED TO OTHER DOCUMENTS OR
DISCLOSED TO OTHERS OR USED FOR ANY
PURPOSE OTHER THAN THAT WHICH IT WAS
OBTAINED WITHOUT THE EXPRESSED WRITTEN
CONSENT OF SAMTEC, INC.

samtec
520 PARK EAST BLVD. NEW ALBANY, IN 47150
PHONE: 812-944-6733 FAX: 812-948-5047
e-Mail: info@SAMTEC.com code: 53322

MATERIAL: DO NOT SCALE DRAWING SHEET SCALE: 2:1
INSULATOR: LCP, COLOR: BLACK
CONTACT: PHOS BRONZE
LATCH: PHOS BRONZE

DESCRIPTION:
0.4mm [.016] SOCKET STRIP ASSEMBLY
DWG. NO.
SS4-XX-X.XX-X-D-X-XX-TR

FIG. 2
-3.50 BODY HEIGHT
SS4-40-3.50-L-D SHOWN
(SAME AS FIG. 1, UNLESS OTHERWISE STATED)

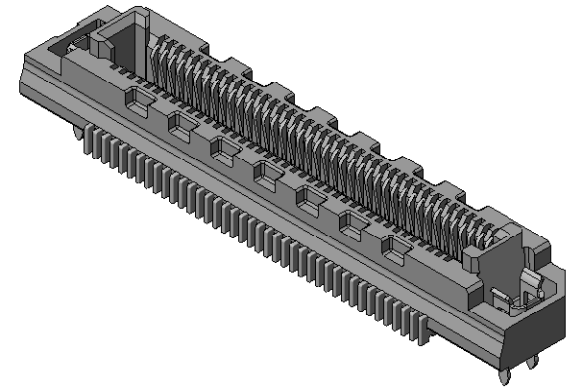
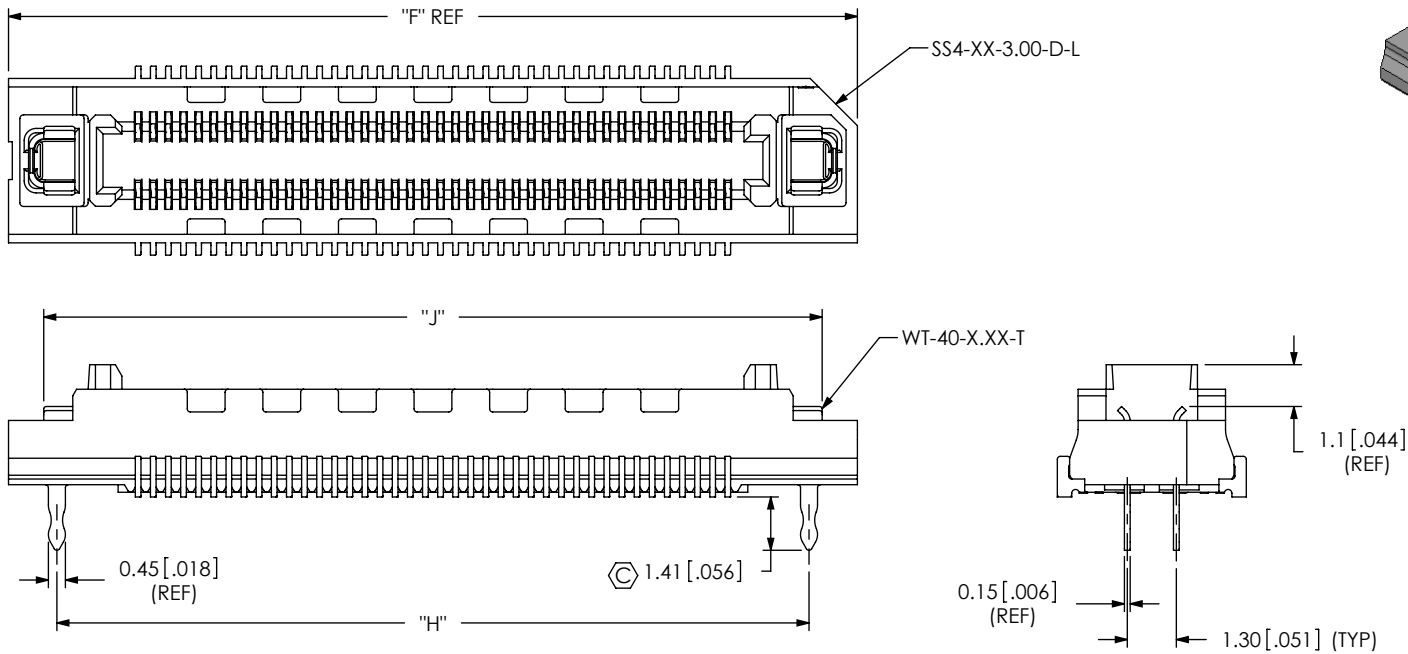
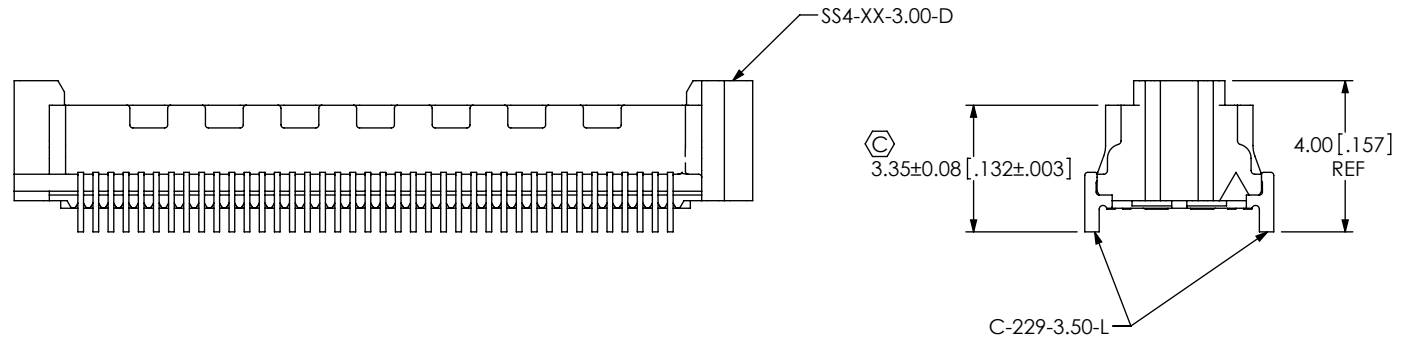



FIG. 3
*-L: LATCHING OPTION
SS4-40-3.00-L-D-L SHOWN
(SAME AS FIG. 1, UNLESS OTHERWISE STATED)
* = TOOLED ONLY FOR THE -3.00 LEAD STYLE

No. OF POS	"F"	"H"	"J"
-10	10.46 [0.412]	7.90 [0.311]	8.60 [0.339]
-15	12.46 [0.491]	9.90 [0.390]	10.60 [0.417]
-20	14.46 [0.569]	11.90 [0.469]	12.60 [0.496]
-30	18.46 [0.727]	15.90 [0.626]	16.60 [0.654]
-40	22.46 [0.884]	19.90 [0.783]	20.60 [0.811]
-50	26.46 [1.042]	23.90 [0.941]	24.60 [0.969]

LEAD STYLE	LATCH
-3.00	WT-40-3.00-T
-3.50	*WT-40-3.50-T

*=NOT TOOLED FOR -3.50

<p>PROPRIETARY NOTE THIS DOCUMENT CONTAINS INFORMATION CONFIDENTIAL AND PROPRIETARY TO SAMTEC, INC. AND SHALL NOT BE REPRODUCED OR TRANSFERRED TO OTHER DOCUMENTS OR DISCLOSED TO OTHERS OR USED FOR ANY PURPOSE OTHER THAN THAT WHICH IT WAS OBTAINED WITHOUT THE EXPRESSED WRITTEN CONSENT OF SAMTEC, INC.</p> <p>DO NOT SCALE DRAWING</p> <p>SHEET SCALE: 5:1</p>		
	<p>520 PARK EAST BLVD, NEW ALBANY, IN 47150 PHONE: 812-944-6733 FAX: 812-948-5047 e-Mail: info@SAMTEC.com code: 55322</p>	
	<p>DESCRIPTION: 0.4mm[.016] SOCKET STRIP ASSEMBLY</p>	
	<p>DWG. NO. SS4-XX-X.XX-X-D-X-XX-TR</p>	
<p>BY: CLAY W 4/19/2007</p>		<p>SHEET 2 OF 4</p>

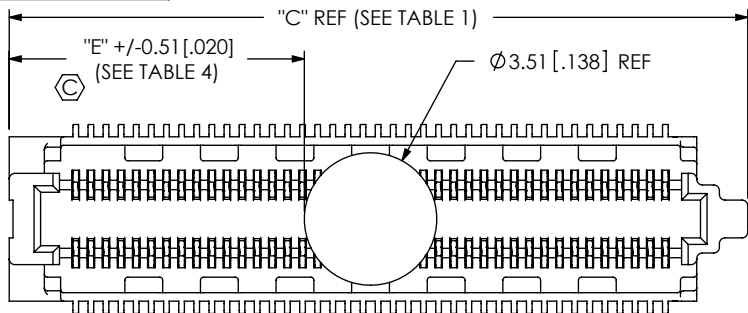
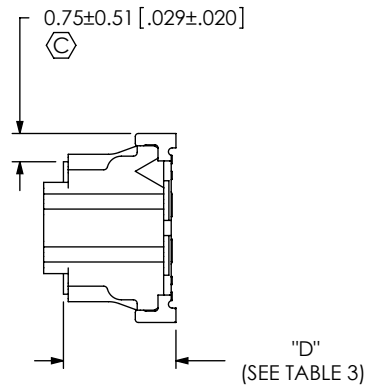


FIG. 4
 -K: KAPTON OPTION
 SS4-40-3.00-L-D-K SHOWN
 (USE K-500-300)
 (SAME AS FIG. 1, UNLESS OTHERWISE STATED)



LEAD STYLE	"D"
-3.00	2.98 [0.117]
-3.50	3.48 [0.137]

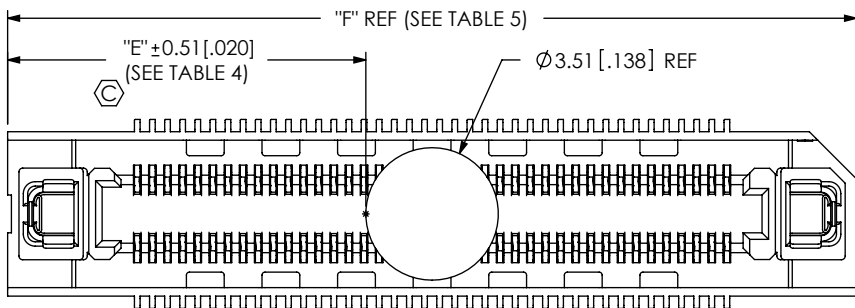
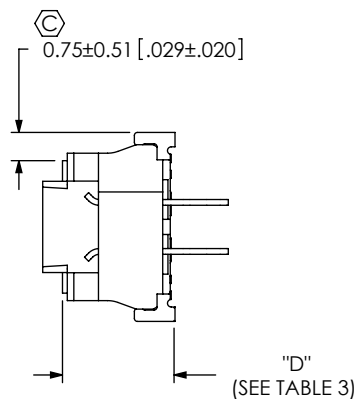


FIG. 5
 -K: KAPTON OPTION (W/ -L OPTION)
 SS4-40-3.00-L-D-L-K SHOWN
 (USE K-500-300)
 (SAME AS FIG. 1, UNLESS OTHERWISE STATED)



POS	"E" NO -L OPTION	"E" W/ -L OPTION
-10	1.48 [0.058]	3.48 [0.137]
-15	2.48 [0.098]	4.48 [0.176]
-20	3.48 [0.137]	5.48 [0.216]
-30	5.48 [0.216]	7.48 [0.294]
-40	7.48 [0.294]	9.48 [0.373]
-50	9.48 [0.373]	11.48 [0.452]

PROPRIETARY NOTE
 THIS DOCUMENT CONTAINS INFORMATION
 CONFIDENTIAL AND PROPRIETARY TO
 SAMTEC, INC. AND SHALL NOT BE REPRODUCED
 OR TRANSFERRED TO OTHER DOCUMENTS OR
 DISCLOSED TO OTHERS OR USED FOR ANY
 PURPOSE OTHER THAN THAT WHICH IT WAS
 OBTAINED WITHOUT THE EXPRESSED WRITTEN
 CONSENT OF SAMTEC, INC.

DO NOT SCALE DRAWING
 SHEET SCALE: 5:1



520 PARK EAST BLVD, NEW ALBANY, IN 47150
 PHONE: 812-944-6733 FAX: 812-948-5047
 e-Mail: info@SAMTEC.com code: 55322

DESCRIPTION:
 0.4mm[.016] SOCKET STRIP ASSEMBLY

DWG. NO.
 SS4-XX-X.XX-X-D-X-XX-TR

BY: CLAY W 4/19/2007 SHEET 3 OF 4

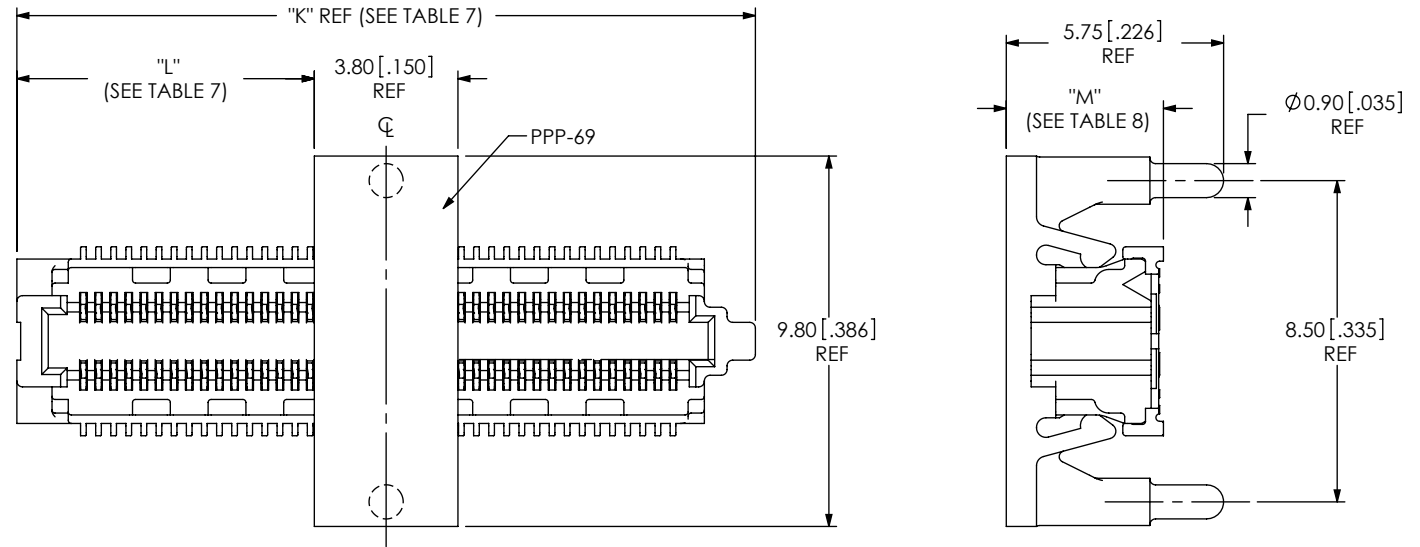


FIG. 6
 -PA: PICK & PLACE PAD WITH
 ALIGNMENT PINS
 SS4-40-3.00-L-D-PA SHOWN
 (SAME AS FIG. 1, UNLESS OTHERWISE STATED)
 (NOT AVAILABLE IN -15 POS)

LEAD STYLE	"M"
-3.00	4.16 [0.164]
-3.50	4.66 [0.183]

POS	"K" W/O -L OPTION	"K" W/-L OPTION	"L" W/O -L OPTION	"L" W/-L OPTION
-10	7.54 [0.297]	10.46 [0.412]	1.870 [0.074]	3.330 [0.131]
-20	11.54 [0.454]	14.46 [0.569]	3.870 [0.152]	5.330 [0.210]
-30	15.54 [0.612]	18.46 [0.727]	5.870 [0.231]	7.330 [0.289]
-40	19.54 [0.769]	22.46 [0.884]	7.870 [0.310]	9.330 [0.367]
-50	23.54 [0.927]	26.46 [1.042]	9.870 [0.389]	11.330 [0.446]

PROPRIETARY NOTE
 THIS DOCUMENT CONTAINS INFORMATION
 CONFIDENTIAL AND PROPRIETARY TO
 SAMTEC, INC. AND SHALL NOT BE REPRODUCED
 OR TRANSFERRED TO OTHER DOCUMENTS OR
 DISCLOSED TO OTHERS OR USED FOR ANY
 PURPOSE OTHER THAN THAT WHICH IT WAS
 OBTAINED WITHOUT THE EXPRESSED WRITTEN
 CONSENT OF SAMTEC, INC.

DO NOT SCALE DRAWING

SHEET SCALE: 5:1

samtec

520 PARK EAST BLVD, NEW ALBANY, IN 47150
 PHONE: 812-944-6733 FAX: 812-948-5047
 e-Mail: info@SAMTEC.com code: 55322

DESCRIPTION:
 0.4mm[.016] SOCKET STRIP ASSEMBLY

DWG. NO.
 SS4-XX-X.XX-X-D-X-XX-TR

BY: CLAY W 4/19/2007 SHEET 4 OF 4