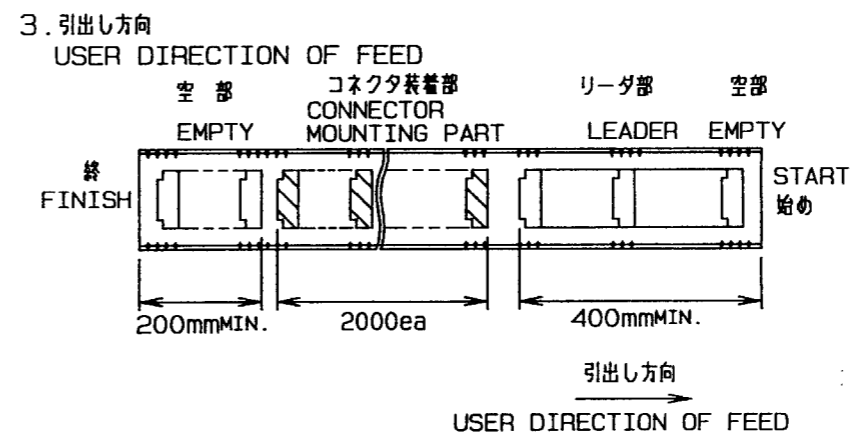
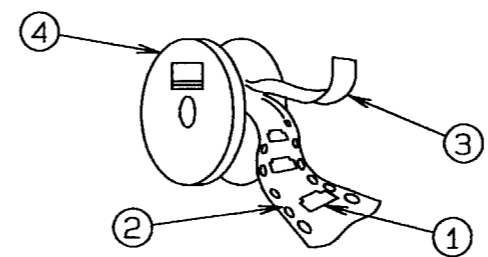


NO.	DESCRIPTION	PART NO.	QTY	MATERIAL	DRW NO.	REMARKS
1	CONNECTOR	00 6295 OXX 000 883	2000			
2	EMBOSSSED TAPE		1	POLYSTYRENE		
3	TOP COVER TAPE		1	POLYSTYRENE		
4	REEL		1	CORRIGATED CARDBOARD or POLYSTYRENE		

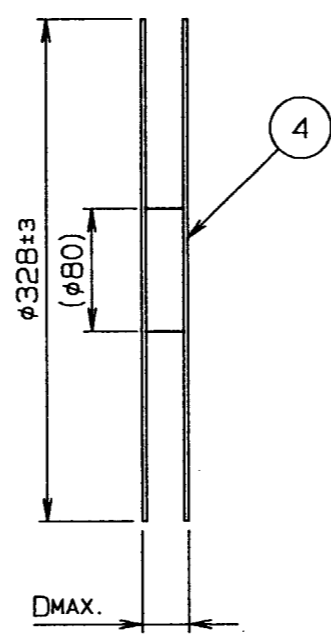
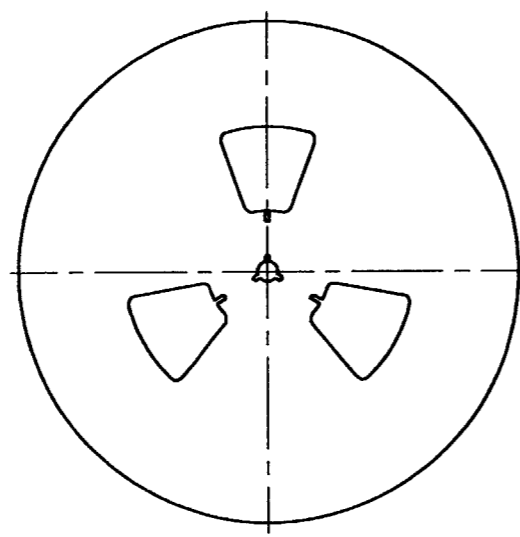
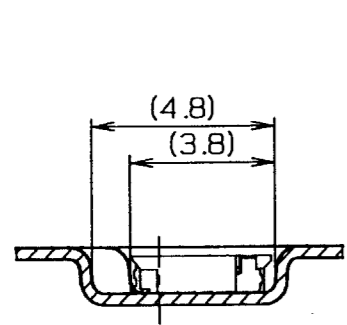
注 配 NOTE
 1. 納入数量 : 2000 個/reel
 QUANTITY : 2000 ea/reel
 2. 納入時のリール巻き方向
 REELING DIRECTION
 IN DELIVERY



4. 型番 P/N 04 6295 OXX 000 883
 SERIES _____
 巻数 _____
 NO. OF POS. _____

巻数 NO. OF POS.	A	B	C	D
17	7.5	—	16.0	22.4
19	7.5	—	16.0	22.4
21	11.5	—	24.0	30.4
23	11.5	—	24.0	30.4
25	11.5	—	24.0	30.4
27	11.5	—	24.0	30.4
29	11.5	—	24.0	30.4
31	11.5	—	24.0	30.4
33	11.5	—	24.0	30.4
35	11.5	—	24.0	30.4
37	11.5	—	24.0	30.4
39	11.5	—	24.0	30.4
41	14.2	28.4	32.0	38.4
43	14.2	28.4	32.0	38.4
45	14.2	28.4	32.0	38.4
47	14.2	28.4	32.0	38.4
49	14.2	28.4	32.0	38.4
51	14.2	28.4	32.0	38.4
53	14.2	28.4	32.0	38.4
55	14.2	28.4	32.0	38.4
57	14.2	28.4	32.0	38.4
59	14.2	28.4	32.0	38.4
61	14.2	28.4	32.0	38.4

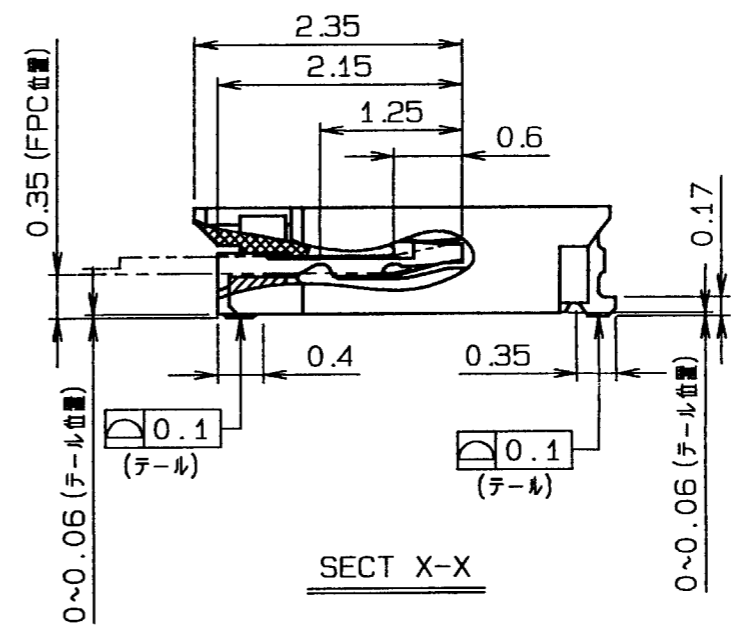
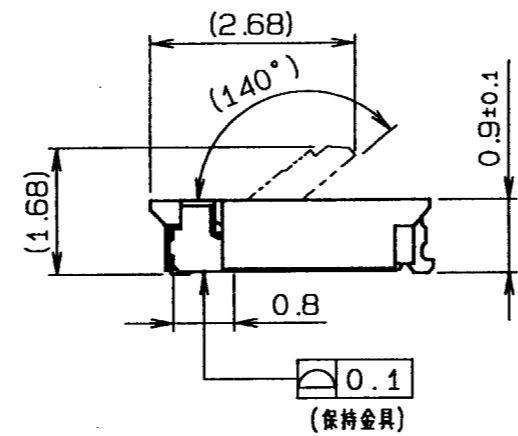
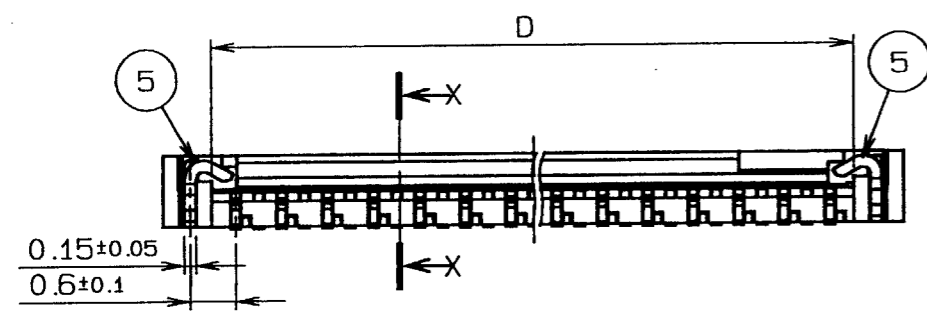
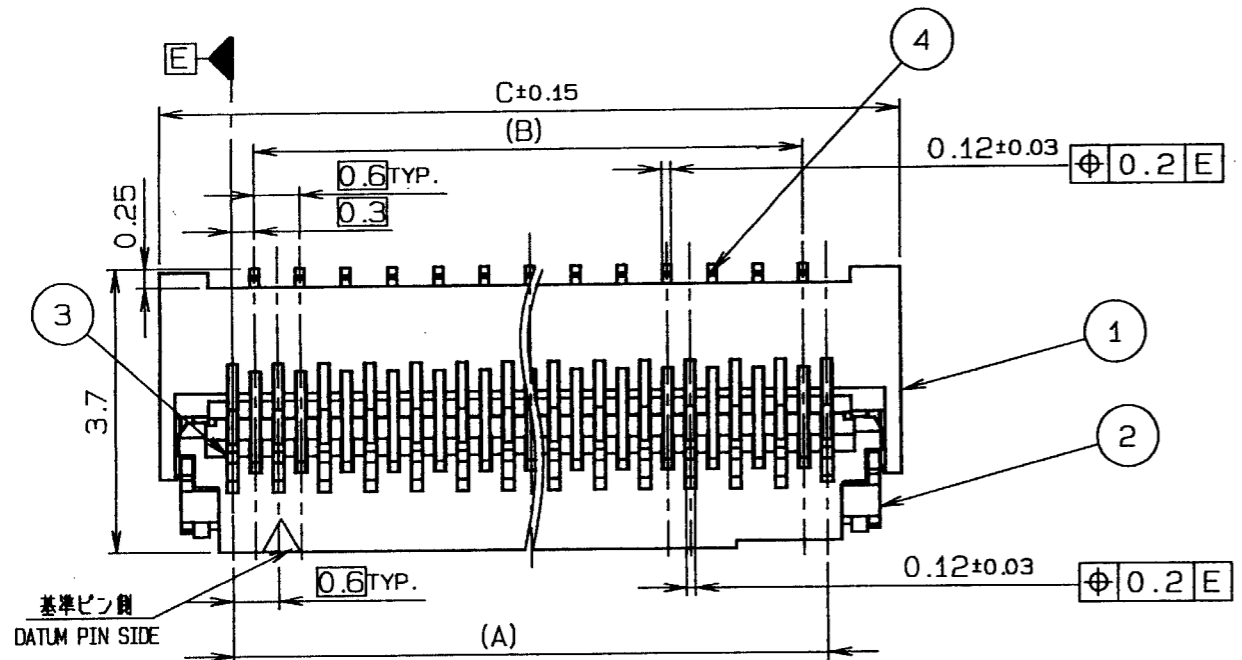
*生産対応可能巻数については、営業部に
 ご確認ください。
 PLEASE ASK SALES DEPARTMENT
 WHAT NUMBER OF CONTACT CAN
 BE PRODUCED.



技術部
 03.7.17
 発行

TOLERANCE / 公差 (S)	PRODUCT SPEC / 製品規格	C DCN-701	7-10-03	A. Hayama	T. Sato	N. Hayashi
X < 10 ±0.2		B DCN-046	1-15-03	T. TODA	T. SATOH	N. HAYASHI
10 ≤ X < 30 ±0.25	UNIT mm	O EDN-598	7-29-02	T. SATOH		N. HAYASHI
30 ≤ X ±0.3	ANGLE 3RD	NO. EDN/DCN	DATE	ISSUE	CHECKED	APPROVED
ANGLE / 角度 ±3°	SCALE NTS	PART NAME / 品名				
	DATE 7-29-02	SERIES 6295 FPC ASSY RA SMT TAPING 0.3mm PITCH ZIF TYPE				
DRAWN T. SATOH	DESIGNED T. SATOH	CHECKED	APPROVED N. HAYASHI	PART NO. / 型番		
KYOCERA ELCO CORPORATION				04 6295 OXX 000 883		
				DWG NO. / 図番		SHEET REV
				BJS 6295002		1/1 C

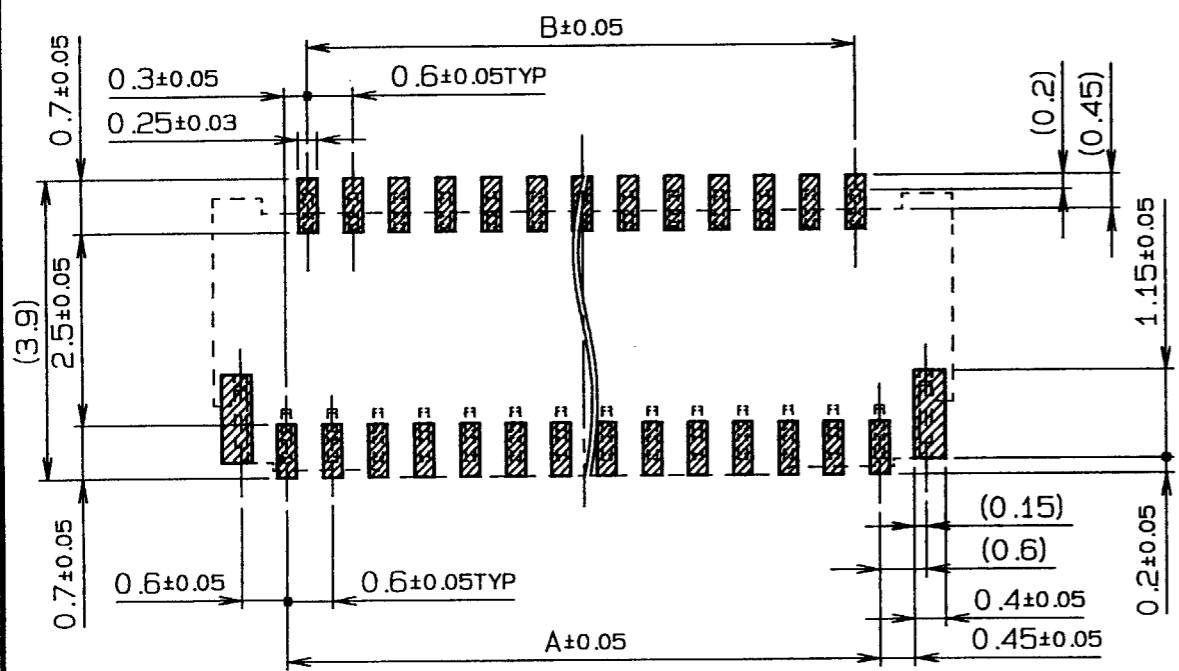
NO.	DESCRIPTION	PART NO.	QTY	MATERIAL	DRW NO.	REMARKS
1	INSULATOR		1	PA46		COLOR: BLACK UL94V-0
2	SLIDER		1	PPS		COLOR: BROWN UL94V-0
3	FRONT CONTACT		$\frac{N+1}{2}$	PHOS-BRONZE		t=0.12 Au: 0.1 μ M MIN.
4	REAR CONTACT		$\frac{N-1}{2}$	PHOS-BRONZE		t=0.12 Au: 0.1 μ M MIN.
5	ANCHOR PLATE		2	PHOS-BRONZE		t=0.15 Sn-Cu: 2 μ M MIN.



番数 NO. OF POS.	A	B	C	D
17	4.8	4.2	6.7	5.5
19	5.4	4.8	7.3	6.1
21	6.0	5.4	7.9	6.7
23	6.6	6.0	8.5	7.3
25	7.2	6.6	9.1	7.9
27	7.8	7.2	9.7	8.5
29	8.4	7.8	10.3	9.1
31	9.0	8.4	10.9	9.7
33	9.6	9.0	11.5	10.3
35	10.2	9.6	12.1	10.9
37	10.8	10.2	12.7	11.5
39	11.4	10.8	13.3	12.1
41	12.0	11.4	13.9	12.7
43	12.6	12.0	14.5	13.3
45	13.2	12.6	15.1	13.9
47	13.8	13.2	15.7	14.5
49	14.4	13.8	16.3	15.1
51	15.0	14.4	16.9	15.7
53	15.6	15.0	17.5	16.3
55	16.2	15.6	18.1	16.9
57	16.8	16.2	18.7	17.5
59	17.4	16.8	19.3	18.1
61	18.0	17.4	19.9	18.7

*生産対応可能な番数については、営業部
に確認ください。
PLEASE ASK SALES DEPARTMENT
WHAT NUMBER OF CONTACT CAN
BE PRODUCED.

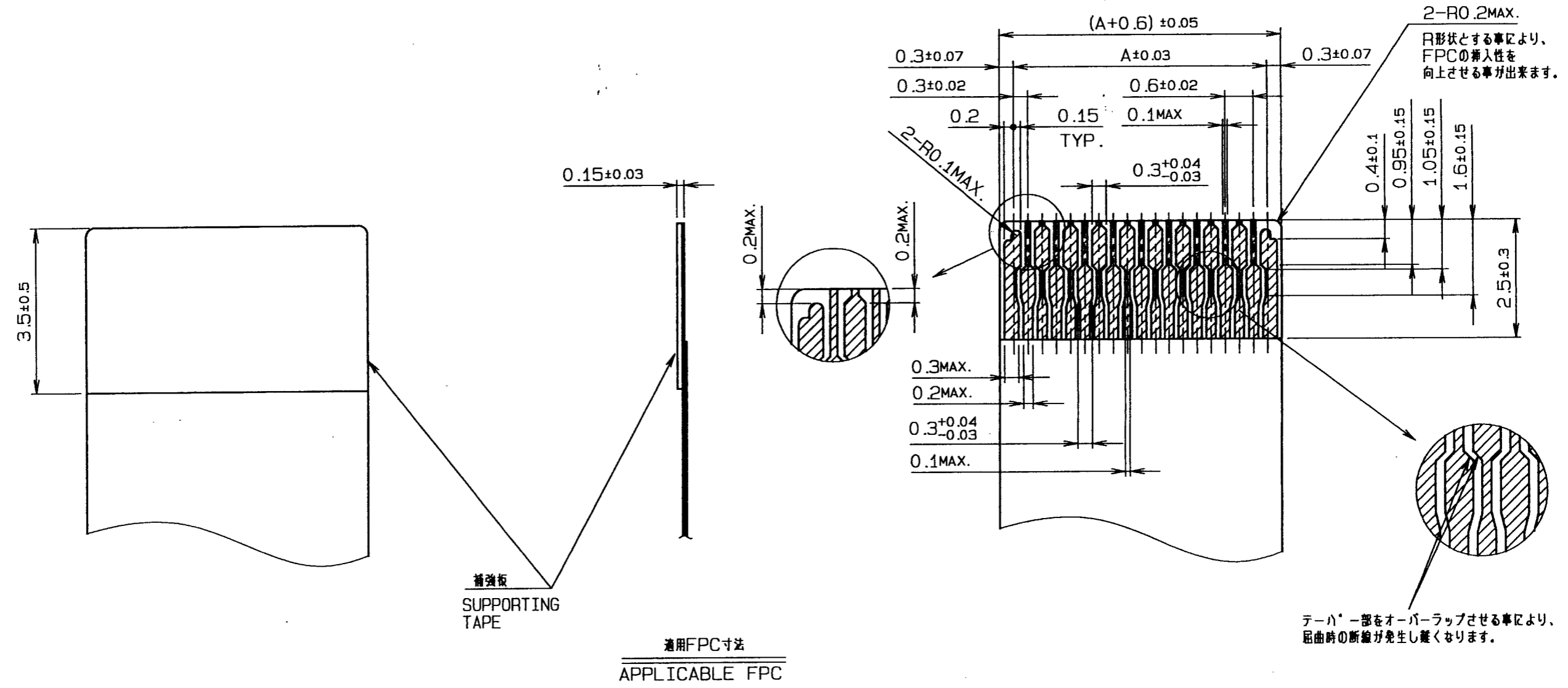
技術部
03.7.17
発行



推奨パターン寸法
RECOMMENDED PATTERN LAYOUT

TOLERANCE / 公差 (S)		PRODUCT SPEC / 製品規格		D	DCN-701	7-10-03	<i>a. Hayashi</i>	<i>Z. Satoh</i>	<i>M. Hayashi</i>
X < 10	±0.2			C	DCN-312	4-04-03	T. TODA	T. SATOH	N. HAYASHI
10 ≤ X < 30	±0.25	UNIT	ANGLE	O	EDN-598	7-29-02	T. SATOH		N. HAYASHI
30 ≤ X	±0.3	mm	3RD	PART NAME / 品名					
ANGLE / 角度		SCALE	DATE	SERIES 6295 FPC ASSY RA SMT					
±3°		N/T	7-29-02	0.3mm PITCH ZIF TYPE (H=0.9)					
DRAWN	DESIGNED	CHECKED	APPROVED	PART NO. / 型番					
T. SATOH	T. SATOH		N. HAYASHI	00 6295 0XX 000 883					
KYOCERA ELCO CORPORATION				DWG NO. / 図番		SHEET REV			
				BJS 6295001		1/2		D	

NO.	DESCRIPTION	PART NO.	QTY	MATERIAL	DRW NO.	REMARKS
-----	-------------	----------	-----	----------	---------	---------

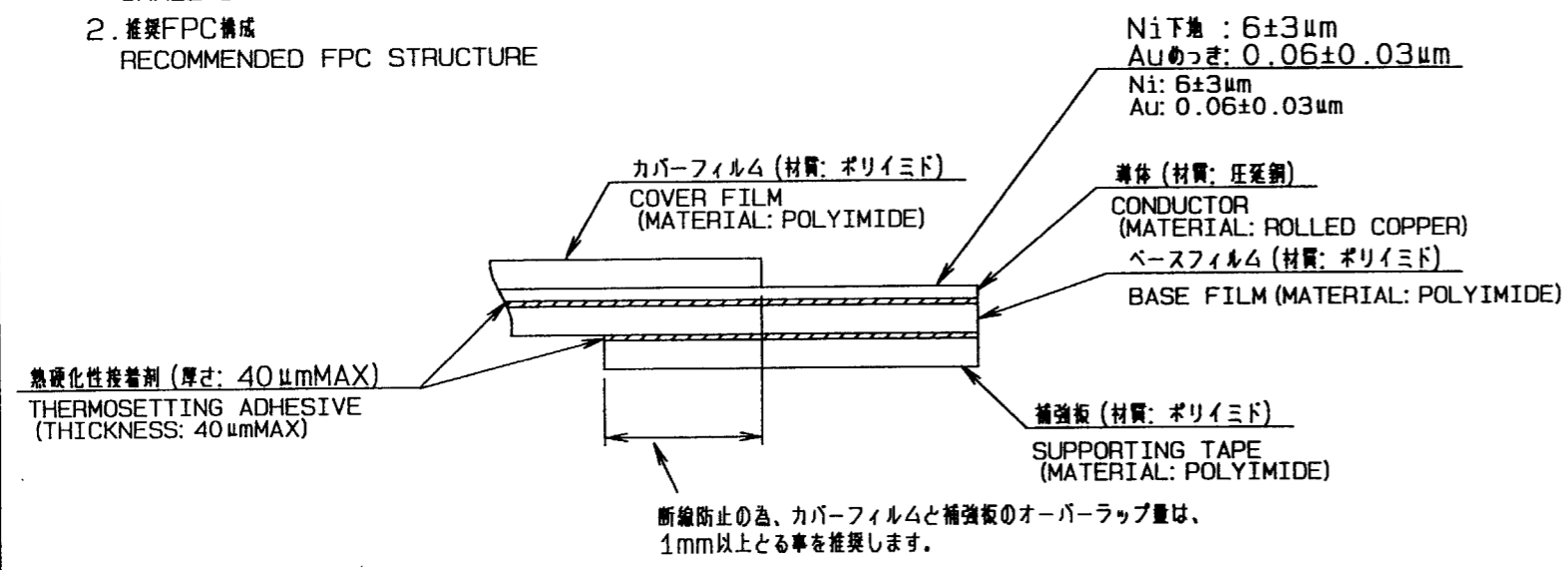


- 注 記 NOTE
1. コンタクトテール及び固定金具は、基板より最大浮き0.1mmとする。
FLOATING FROM BOARD OF CONTACT TAIL AND ANCHOR PLATE SHALL BE 0.1mmMAX.
 2. 推奨FPC構成
RECOMMENDED FPC STRUCTURE

△ 4.型番 P/N 00 6295 0XX 000 883

極数
NO. OF POS.

技術部
03.7.17
発行



3 Nは、極数を示す。

TOLERANCE / 公差 (S)		PRODUCT SPEC / 製品規格		REFER TO SHEET 1/2	
X < 10	±0.2	UNIT	ANGLE	NO.	EDN/DCN
10 ≤ X < 30	±0.25	mm	3RD	DATE	ISSUE
30 ≤ X	±0.3	SCALE	DATE	CHECKED	APPROVED
ANGLE / 角度	±3°	N/S	7-29-02	PART NAME / 品名	
DRAWN	DESIGNED	CHECKED	APPROVED	SERIES 6295 FPC ASSY RA SMT 0.3mm PITCH ZIF TYPE (H=0.9)	
T. SATOH	T. SATOH		N. HAYASHI	PART NO. / 型番	
KYOCERA ELCO CORPORATION				00 6295 0XX 000 883	
				DWG NO. / 図番	
				BJS 6295001	
				SHEET REV	
				12/21 D	