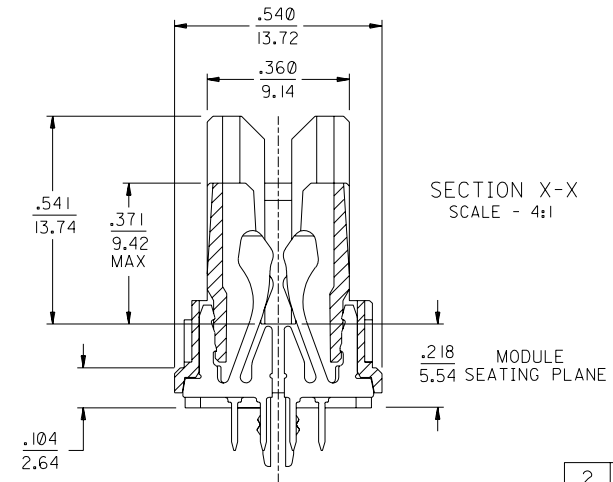
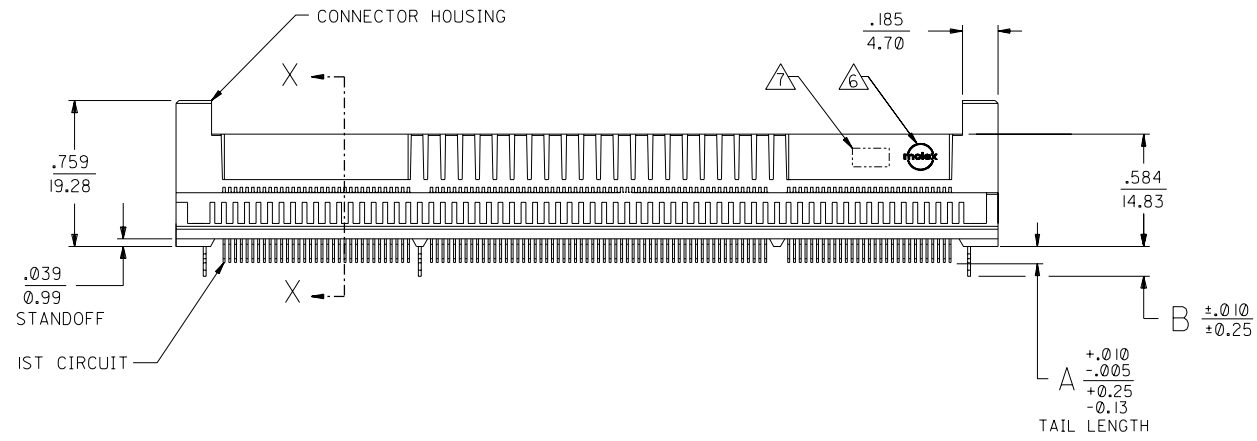
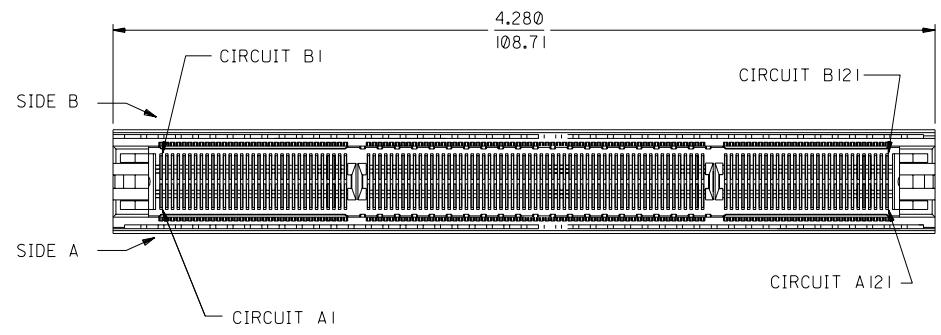


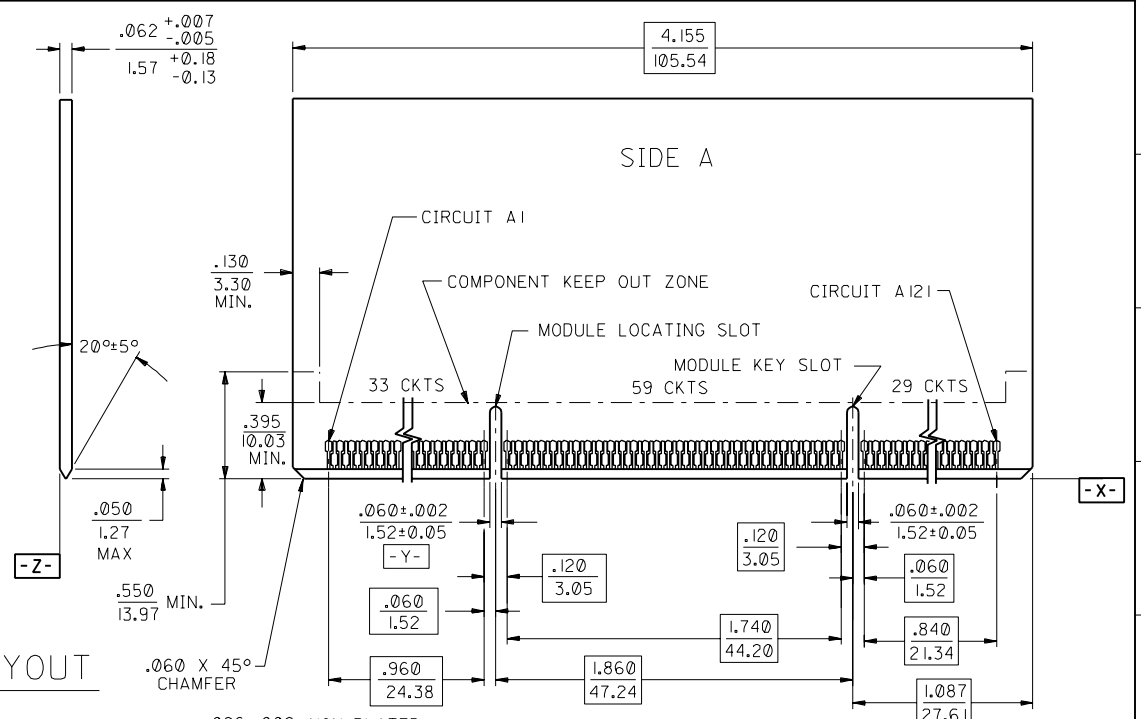
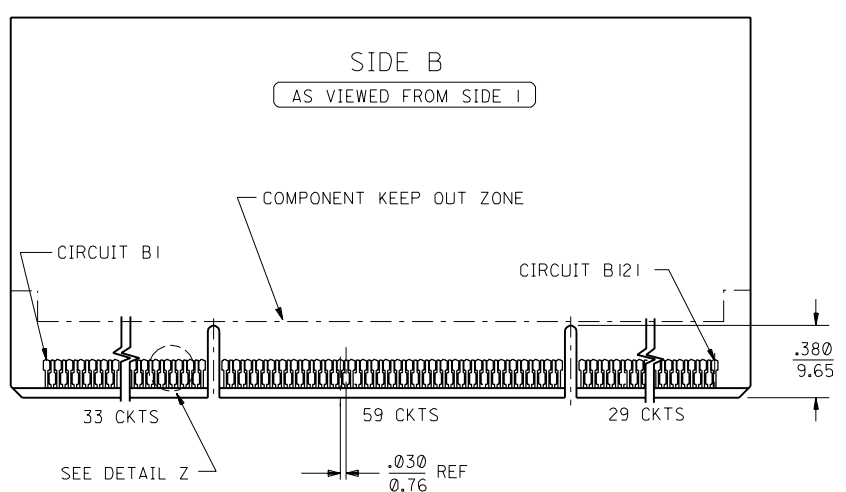
NOTES:

- MATERIALS:
HOUSING - LCP, GLASS FILLED, 94-V0, BLACK.
TERMINALS - COPPER ALLOY.
METAL FORKLLOCKS - PHOSPHOR BRONZE.
- FINISH:
TERMINALS - .000030/0.00076 MINIMUM GOLD IN THE CONTACT AREA AND .000075/0.0019 MINIMUM TIN IN SOLDER TAIL AREA OVER .000050/0.0013 MINIMUM NICKEL OVERALL.
METAL FORKLLOCKS - .00008/0.002 MINIMUM TIN OVERALL.
- PRODUCT SPECIFICATION PS-74191-XXXX APPLIES.
- CARD SLOT ACCEPTS .062 +.007/-0.005 P.C. BOARD.
- THE RECOMMENDED PLATING SPECIFICATION FOR THE MATING PC BOARD IS .000030/0.0076 MINIMUM GOLD OVER .000075/0.0019 MINIMUM NICKEL.
- MOLEX LOGO SHALL APPEAR ON BOTH SIDES OF HOUSING, AND LOCATED APPROXIMATELY AS SHOWN.
- FOUR DIGIT DATE CODE (YR/WK) SHALL BE LOCATED APPROXIMATELY AS SHOWN.
- FOR ADDITIONAL BOARD LAYOUT INFORMATION SEE "MOLEX 74191 SERIES HiSpecGS ELECTRICAL DESIGN GUIDE FOR A 28 OHM SYSTEM IMPEDANCE."
- THE PRIMARY SHIPPING CARTON WILL BE LABELED *COMPLIANT TO ROHS DIRECTIVE 2002/95/EC AND ELV ANNEX II OF DIRECTIVE 2000/53/EC*. CARTONS WITHOUT THIS LABEL MAY CONTAIN PRODUCT WITH LEAD.

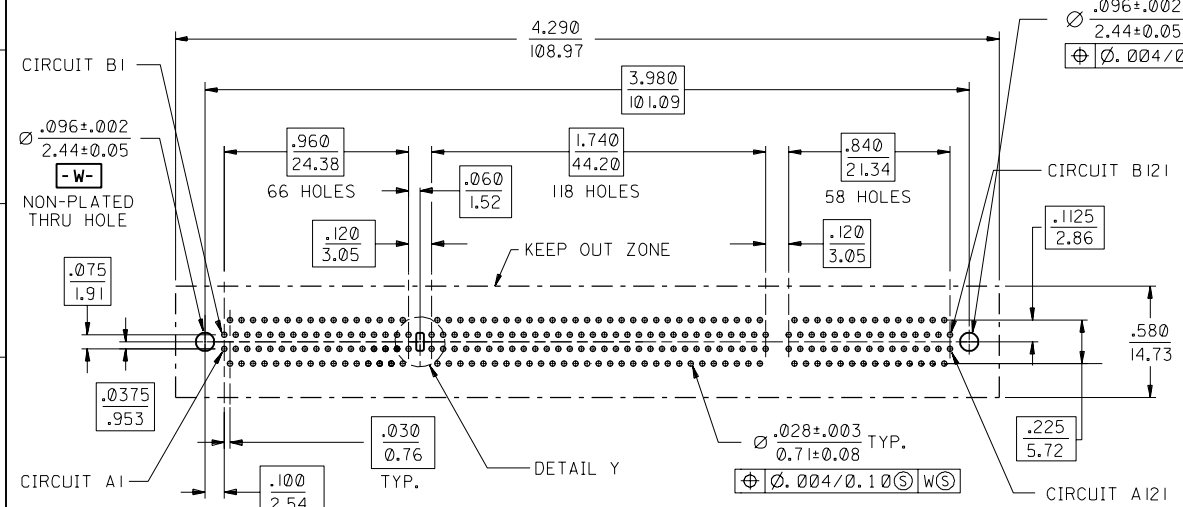


74191-0005	.085/2.16	.155/3.94
74191-0004	.110/2.79	.155/3.94
ITEM NUMBER	A	B

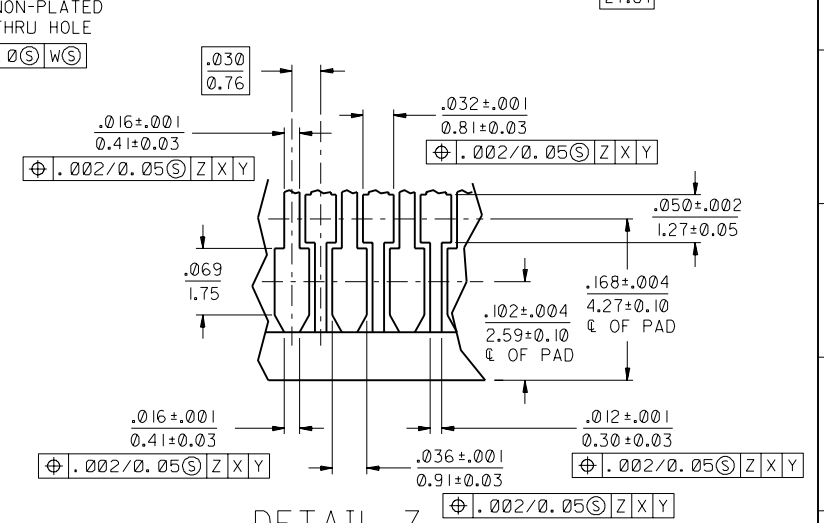
EC NO. UCP2004-2347 DRWN: RWHTIE 04/05/20 CHK: BBARKER 04/05/20 APPR: SMILLER 04/05/20	QUALITY SYMBOLS MAJOR $\nabla = 0$ CRITICAL $\nabla C = 0$	GENERAL TOLERANCES: (UNLESS SPECIFIED) 4 PLACES $\pm 0.$ $\pm .$ 3 PLACES $\pm 0.$ $\pm .005$ 2 PLACES ± 0.13 $\pm .$ 1 PLACE $\pm 0.$ $\pm .$	SCALE 2 : 1 DESIGN UNITS <input type="checkbox"/> mm <input checked="" type="checkbox"/> INCH	THIRD ANGLE PROJECTION <input type="checkbox"/> mm <input checked="" type="checkbox"/> INCH <input type="checkbox"/> mm ONLY	DIMENSIONS: <input type="checkbox"/> mm <input checked="" type="checkbox"/> INCH <input type="checkbox"/> mm ONLY	2	A
						1	D
DESCRIPTION D	DRAWN BY & DATE RESENDEZ 99/05/28 CHECKED BY & DATE TMCLELL 99/05/28 APPROVED BY & DATE NELSON 99/05/28	TITLE: SALES ASSEMBLY 242 CKT "HISPEC GS" CONNECTOR THRU-HOLE WITH 3 FORKLLOCKS		MOLEX INCORPORATED		SHEET NO. 1 OF 2	SIZE C
		CAD FILENAME WORKMANAGER		MATERIAL NO. SEE TABLE			
DRAFT WHERE APPLICABLE MUST REMAIN WITHIN DIMENSIONS						THIS DRAWING CONTAINS INFORMATION THAT IS PROPRIETARY TO MOLEX INCORPORATED AND SHOULD NOT BE USED WITHOUT WRITTEN PERMISSION.	



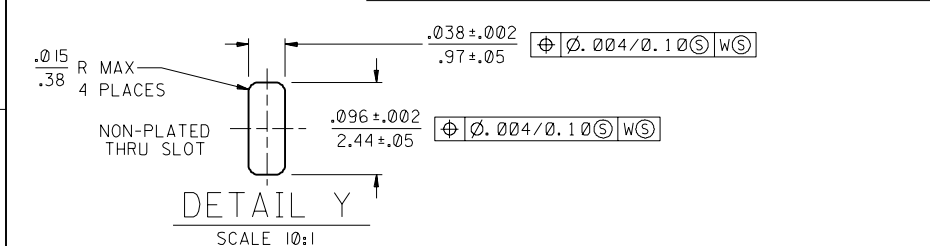
RECOMMENDED MODULE BOARD LAYOUT



RECOMMENDED PCB HOLE LAYOUT



DETAIL Z



DETAIL Y

SEE SHEET 1	QUALITY SYMBOLS	GENERAL TOLERANCES: (UNLESS SPECIFIED)		SCALE 2 : 1	DESIGN UNITS	DIMENSIONS:		SHT	REV
		mm	INCH	mm	INCH	mm	INCH	mm	INCH
EC NO. A	DRWN: CHK: APPR:	MAJOR	4 PLACES	±0.	±.	DRAWN BY & DATE		TITLE:	
		CRITICAL	3 PLACES	±0.	±.005	RESENDEZ 99/05/28		SALES ASSEMBLY	
REV	DESCRIPTION	ANGULAR: ± 1 °	2 PLACES	±0.13	±.	CHECKED BY & DATE		242 CKT "HISPEC GS" CONNECTOR	
			1 PLACE	±0.	±.	TMCLELL 99/05/28		THRU-HOLE WITH 3 FORKLLOCKS	
DRAFT WHERE APPLICABLE MUST REMAIN WITHIN DIMENSIONS			APPROVED BY & DATE		NELSON 99/05/28		MOLEX INCORPORATED		SHEET NO. 2
THIS DRAWING CONTAINS INFORMATION THAT IS PROPRIETARY TO MOLEX INCORPORATED AND SHOULD NOT BE USED WITHOUT WRITTEN PERMISSION.			CAD FILENAME		WORKMANAGER		MATERIAL NO. SEE TABLE		DRAWING NO. SD-74191-004