



BAIDU MICRO ELECTRONICS CO., LTD.

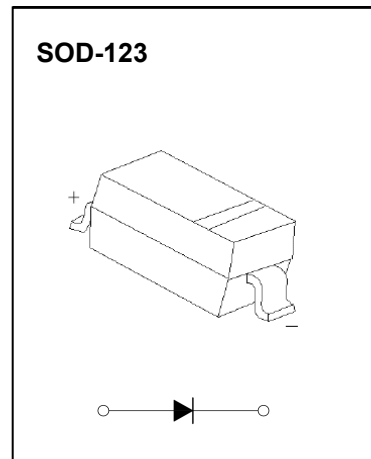
SOD-123 Plastic-Encapsulate Diodes

B5817W-5819W SCHOTTKY BARRIER DIODE

FEATURES

For use in low voltage, high frequency inverters
Free wheeling, and polarity protection applications.

MARKING: B5817W: SJ
B5818W:SK
B5819W: SL



Maximum Ratings and Electrical Characteristics, Single Diode @Ta=25°C

Parameter	Symbol	B5817W	B5818W	B5819W	Unit
Non-Repetitive Peak Reverse Voltage	V_{RM}	20	30	40	V
Peak Repetitive Peak Reverse Voltage Working Peak Reverse Voltage DC Blocking Voltage	V_{RRM} V_{RWM} V_R	20	30	40	V
RMS Reverse Voltage	$V_{R(RMS)}$	14	21	28	V
Average Rectified Output Current	I_O	1			A
Peak Forward Surge Current @t=8.3ms	I_{FSM}	9			A
Repetitive Peak Forward Current	I_{FRM}	1.5			A
Power Dissipation	P_d	500			mW
Thermal Resistance Junction to Ambient	$R_{\theta JA}$	250			°C/W
Junction temperature	T_J	125			°C
Storage Temperature	T_{STG}	-55~+150			°C

ELECTRICAL CHARACTERISTICS (Ta=25°C unless otherwise specified)

Parameter	Symbol	Test conditions	Min	Max	Unit
Reverse breakdown voltage	$V_{(BR)}$	$I_R=1mA$ B5817W B5818W B5819W	20 30 40		V
Reverse voltage leakage current	I_R	$V_R=20V$ $V_R=30V$ $V_R=40V$ B5817W B5818W B5819W		1	mA
Forward voltage	V_F	B5817W $I_F=1A$ $I_F=3A$		0.45 0.75	V
		B5818W $I_F=1A$ $I_F=3A$		0.55 0.875	V
		B5819W $I_F=1A$ $I_F=3A$		0.6 0.9	V
Diode capacitance	C_D	$V_R=4V, f=1MHz$		120	pF



BAIDU MICRO ELECTRONICS CO., LTD.

SOD-123 Plastic-Encapsulate Diodes

B5817W-5819W

