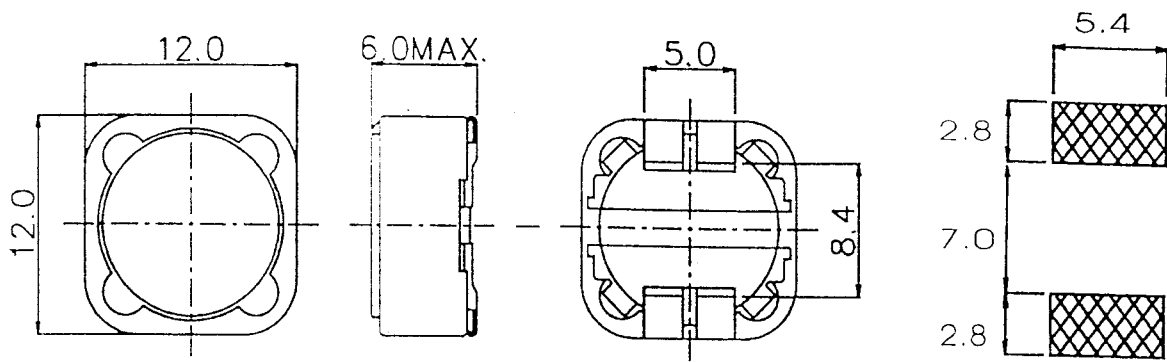


SMD POWER CHOKE CSS125P



UNIT : mm

PART NO.	MARK	INDUCTANCE	TEST FREQ.	D.C.R. (at 20°C) Max. (Ω)	RATED CURRENT (A) ※
CSS125P-100M	100	10uH± 20%	1KHz	0.025	4.00
CSS125P-120M	120	12uH± 20%	1KHz	0.027	3.50
CSS125P-150M	150	15uH± 20%	1KHz	0.030	3.30
CSS125P-180M	180	18uH± 20%	1KHz	0.034	3.00
CSS125P-220M	220	22uH± 20%	1KHz	0.036	2.80
CSS125P-270M	270	27uH± 20%	1KHz	0.051	2.30
CSS125P-330M	330	33uH± 20%	1KHz	0.057	2.10
CSS125P-390M	390	39uH± 20%	1KHz	0.068	2.00
CSS125P-470M	470	47uH± 20%	1KHz	0.075	1.80
CSS125P-560M	560	56uH± 20%	1KHz	0.110	1.70
CSS125P-680M	680	68uH± 20%	1KHz	0.120	1.50
CSS125P-820M	820	82uH± 20%	1KHz	0.140	1.40
CSS125P-101M	101	100uH± 20%	1KHz	0.160	1.30
CSS125P-121M	121	120uH± 20%	1KHz	0.170	1.10
CSS125P-151M	151	150uH± 20%	1KHz	0.230	1.00
CSS125P-181M	181	180uH± 20%	1KHz	0.290	0.90
CSS125P-221M	221	220uH± 20%	1KHz	0.400	0.80
CSS125P-271M	271	270uH± 20%	1KHz	0.460	0.75
CSS125P-331M	331	330uH± 20%	1KHz	0.510	0.68
CSS125P-391M	391	390uH± 20%	1KHz	0.690	0.65
CSS125P-471M	471	470uH± 20%	1KHz	0.770	0.58
CSS125P-561M	561	560uH± 20%	1KHz	0.860	0.54
CSS125P-681M	681	680uH± 20%	1KHz	1.200	0.48
CSS125P-821M	821	820uH± 20%	1KHz	1.340	0.43
CSS125P-102M	102	1000uH± 20%	1KHz	1.530	0.40

※ Inductance drop less than 10% at rated current applied or temperature rise $\Delta t \leq 40^\circ\text{C}$.



FRONTIER ELECTRONICS CO., LTD.

4 TH FL. NO. 48, MIN CHUAN RD., HSIN TIEN, TAIPEI HSIEN, TAIWAN, R.O.C.

TEL: (02) 29147685-9

FAX: (02) 29186304

05/16/00 B

FECLS00013