



## Shielded Drum Surface Mount Inductors

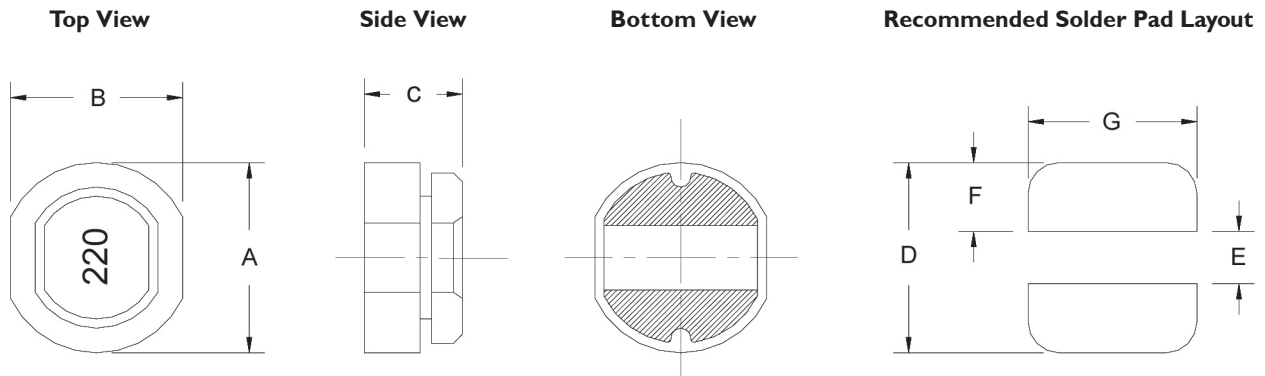
- Operating Temperature Range -40°C to +125°C
- Temperature Rise, Maximum 40°C

### Specifications @ 25 °C

Part Number	Inductance			I <sub>rated</sub> <sup>(1)</sup> (A dc)	DCR (Ω) Max.	Part Number	Inductance			I <sub>rated</sub> <sup>(1)</sup> (A dc)	DCR (Ω) Max.
	Lo (μH)	Tol. (%)	Test Freq. (kHz)				Lo (μH)	Tol. (%)	Test Freq. (kHz)		
HM79S-63100LF	10	±20%	100	1.00	0.14	HM79S-105680LF	68	±15%	100	0.85	0.21
HM79S-63120LF	12	±20%	100	0.94	0.16	HM79S-105820LF	82	±15%	100	0.79	0.28
HM79S-63150LF	15	±20%	100	0.86	0.18	HM79S-105101LF	100	±10%	1	0.72	0.34
HM79S-63180LF	18	±20%	100	0.78	0.25	HM79S-105121LF	120	±10%	1	0.63	0.37
HM79S-63220LF	22	±20%	100	0.76	0.32	HM79S-105151LF	150	±10%	1	0.55	0.51
HM79S-63270LF	27	±20%	100	0.64	0.36	HM79S-105181LF	180	±10%	1	0.50	0.57
HM79S-63330LF	33	±15%	100	0.61	0.41	HM79S-105221LF	220	±10%	1	0.47	0.78
HM79S-63390LF	39	±15%	100	0.53	0.47	HM79S-105271LF	270	±10%	1	0.41	0.87
HM79S-63470LF	47	±15%	100	0.50	0.51	HM79S-105331LF	330	±10%	1	0.37	1.20
HM79S-63560LF	56	±15%	100	0.46	0.71	HM79S-105391LF	390	±10%	1	0.35	1.34
HM79S-63680LF	68	±15%	100	0.42	0.82	HM79S-105471LF	470	±10%	1	0.33	1.50
HM79S-74100LF	10	±20%	100	1.65	0.07	HM79S-105681LF	680	±10%	1	0.28	2.25
HM79S-74120LF	12	±20%	100	1.57	0.07	HM79S-125100LF	10	±20%	100	2.65	0.05
HM79S-74150LF	15	±20%	100	1.39	0.08	HM79S-125120LF	12	±20%	100	2.50	0.05
HM79S-74180LF	18	±20%	100	1.29	0.10	HM79S-125150LF	15	±20%	100	2.45	0.06
HM79S-74220LF	22	±20%	100	1.12	0.13	HM79S-125180LF	18	±20%	100	2.40	0.06
HM79S-74270LF	27	±20%	100	1.06	0.16	HM79S-125220LF	22	±20%	100	2.20	0.07
HM79S-74330LF	33	±15%	100	0.97	0.18	HM79S-125270LF	27	±20%	100	2.00	0.08
HM79S-74390LF	39	±15%	100	0.91	0.18	HM79S-125330LF	33	±20%	100	1.80	0.10
HM79S-74470LF	47	±15%	100	0.80	0.27	HM79S-125390LF	39	±20%	100	1.65	0.11
HM79S-74560LF	56	±15%	100	0.76	0.29	HM79S-125470LF	47	±20%	100	1.50	0.12
HM79S-74680LF	68	±15%	100	0.68	0.33	HM79S-125560LF	56	±20%	100	1.38	0.15
HM79S-74820LF	82	±15%	100	0.62	0.43	HM79S-125680LF	68	±20%	100	1.26	0.17
HM79S-74101LF	100	±10%	1	0.55	0.49	HM79S-125820LF	82	±20%	100	1.14	0.20
HM79S-74121LF	120	±10%	1	0.49	0.68	HM79S-125101LF	100	±20%	1	1.05	0.25
HM79S-74151LF	150	±10%	1	0.44	0.94	HM79S-125121LF	120	±20%	1	0.95	0.28
HM79S-74181LF	180	±10%	1	0.40	1.00	HM79S-125151LF	150	±20%	1	0.85	0.40
HM79S-74221LF	220	±10%	1	0.36	1.18	HM79S-125181LF	180	±20%	1	0.77	0.48
HM79S-74271LF	270	±10%	1	0.33	1.30	HM79S-125221LF	220	±20%	1	0.70	0.52
HM79S-105100LF	10	±20%	100	2.06	0.06	HM79S-125271LF	270	±20%	1	0.63	0.70
HM79S-105120LF	12	±20%	100	1.94	0.07	HM79S-125331LF	330	±20%	1	0.57	0.80
HM79S-105150LF	15	±20%	100	1.72	0.07	HM79S-125391LF	390	±20%	1	0.52	1.08
HM79S-105180LF	18	±20%	100	1.58	0.08	HM79S-125471LF	470	±20%	1	0.48	1.20
HM79S-105220LF	22	±20%	100	1.42	0.08	HM79S-125561LF	560	±20%	1	0.44	1.34
HM79S-105270LF	27	±20%	100	1.32	0.10	HM79S-125681LF	680	±20%	1	0.40	1.78
HM79S-105330LF	33	±15%	100	1.16	0.11	HM79S-125821LF	820	±20%	1	0.36	2.00
HM79S-105390LF	39	±15%	100	1.10	0.12	HM79S-125222LF	2200	±10%	1	0.22	2.85
HM79S-105470LF	47	±15%	100	1.00	0.14	HM79S-125332LF	3300	±10%	1	0.16	4.30
HM79S-105560LF	56	±15%	100	0.93	0.19						

Note: (1) The rated current (I<sub>rated</sub>) is the approximate DC current at which inductance will be decreased by 10 % from its initial (zero DC) value or the current at which ΔT= 40°C, whichever is lower.

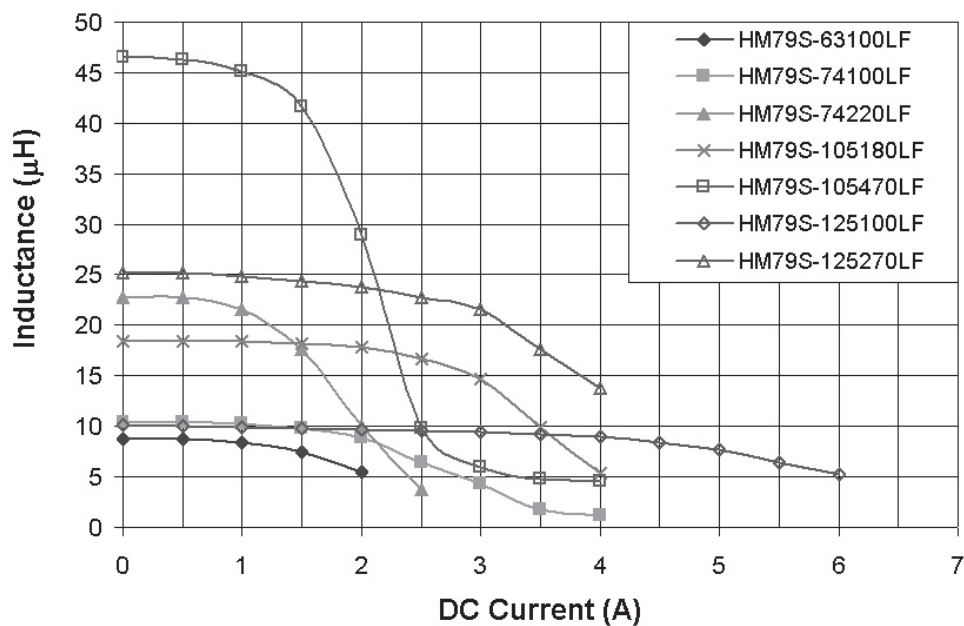
### Outline Dimensions (mm)



Case Size	A	B	C	D	E	F	G
63	6.20±0.30	5.60±0.30	3.20±0.30	6.20	1.70	2.25	5.50
74	7.80±0.35	7.00±0.35	4.50±0.40	7.80	1.70	3.05	7.50
105	10.00±0.40	9.00±0.40	5.00±0.50	10.00	2.50	3.75	9.50
125	12.50±0.50	11.60±0.50	5.40±0.50	12.50	2.50	5.00	9.50

### Electrical Characteristics @ 25 °C

#### Inductance vs. Current Characteristics



## Packaging

**Standard:** Embossed Tape and Reel

Reel:	Diameter:	=	13" (330.2mm)
	Capacity:	Case size 63	= 2000 Units
		Case size 74	= 1000 Units
		Case size 105	= 500 Units
		Case size 125	= 500 Units

## Ordering Information

