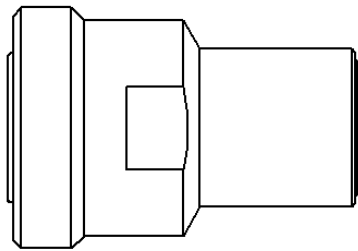
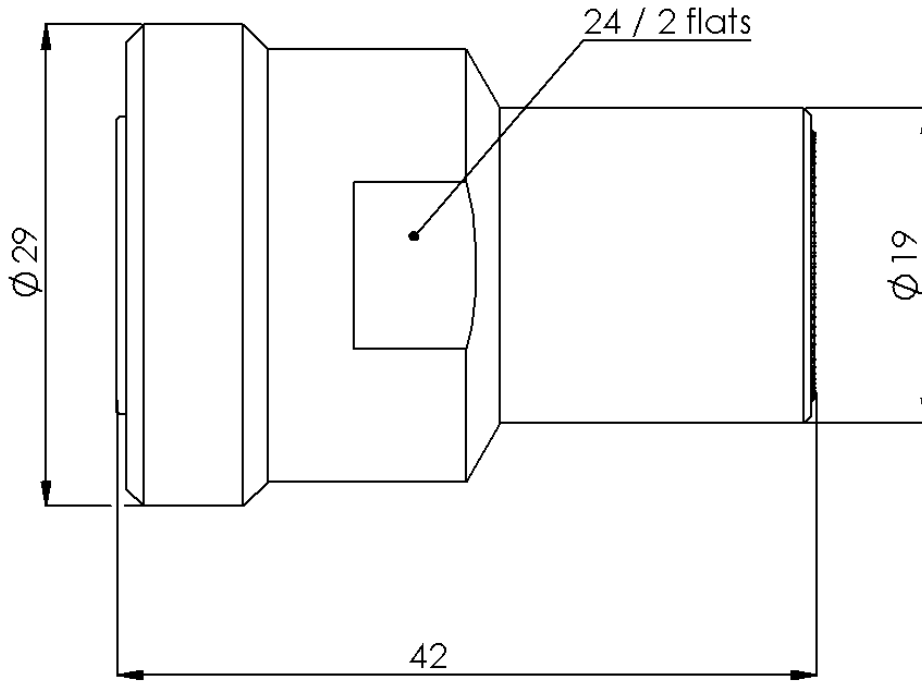


FEMALE 7/16 COAXIAL TERMINATION

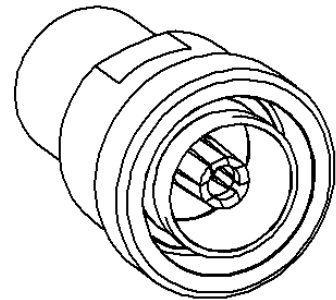
DC - 4 GHZ 2W

R404.175.111

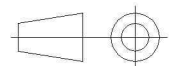
Series :
TERMINATION



Scale 1:1



dimensions are in mm.



COMPONENTS	MATERIALS	PLATING (μm)
BODY	BRASS	BBR 0.5 OVER SILVER 3
CENTER CONTACT	BERYLLIUM COPPER	BBR 2
OUTER CONTACT	BRASS	BBR 0.5 OVER SILVER 5
INSULATOR	PTFE	
GASKET	-	
OTHERS PARTS	-	

Issue : 0815 D

In the effort to improve our products, we reserve the right to make changes judged to be necessary.



FEMALE 7/16 COAXIAL TERMINATION

DC - 4 GHz 2W

R404.175.111

Series :
TERMINATION

ELECTRICAL CHARACTERISTICS

Frequency	DC - 2 GHz	2 - 4 GHz	GHz	GHz	GHz
V.S.W.R	≤ 1.10	≤ 1.30	≤	≤	≤

Impedance 50 Ω
 Average power at 25°C 2 W
 Peak power at 25°C 500 W (1μs, 1%)

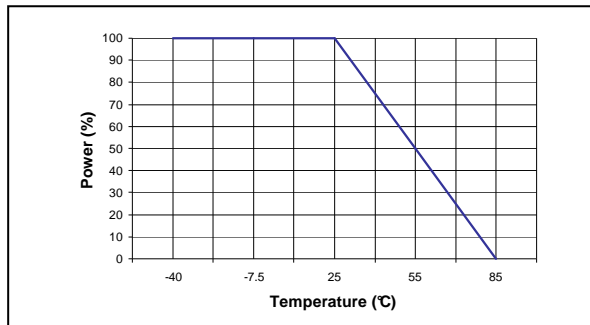
MECHANICAL CHARACTERISTICS

Connectors 7-16 Female for IEC 169-4
 Weight 96,3700 g

ENVIRONMENTAL

Operating temperature range -40 / +85 °C
 Storage temperature range -40 / +85 °C

Power derating
Versus temperature



SPECIFICATION

OTHER CHARACTERISTICS

Issue : 0815 D

In the effort to improve our products, we reserve the right to make changes judged to be necessary.

