

GERMANIUM DIODES

Gold Bonded Germanium Diodes in DO-7 Package

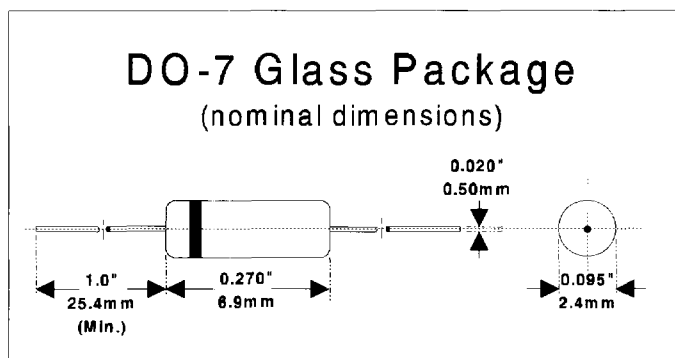
Type	Peak Inverse Voltage (MIN.) (PIV) Volts	Maximum Forward Voltage Drop		Maximum Reverse leakage current		Maximum Reverse Recovery (t_r) nS
		(V_F) Volts	@ I_F mA	(I_R) μ A	@ V_R Volts	
AA113	65	1.1	10	180	60	—
AA117	90	0.18	0.1	280	90	—
AA118	90	1.0	5	80	90	—
AA119	45	1.5	10	2.8	3	—
AA138	25	1.5	10	2	25	—
AA143	30	0.5	15	20	20	70
AA144	100	1.0	5	200	75	—
AAZ15	100	0.45	10	100	1	350
AAZ17	75	0.45	10	300	1	350
AAZ18	40	0.75	200	40	1	—
OA47	25	0.45	10	100	25	70
OA79	40	2.2	10	100	36	—
OA90 *	30	1.0	10	20	10	—
OA91 *	100	1.0	10	11	10	—
OA95 *	100	1.0	10	7	10	—
OA99 *	45	1.0	100	18	10	—
1N34A	60	1.0	5	30	30	—
1N38A	100	1.0	40	50	50	—
1N60A	40	1.0	4	60	10	—
1N100A	80	1.0	40	50	50	—
1N270 ✓	100	1.0	200	100	50	—
1N276 ✓	100	1.0	40	100	50	300
1N277 ✓	125	1.0	100	250	50	—
1N695	20	1.0	100	2	10	300. typ.
1N695A	25	0.5	10	2	10	300
1N933	100	1.0	14	10	10	400
1N949	50	0.39	10	10	10	—
1N3287 ✓	6	0.3	1	15	2	—
1N3592	25	0.5	15	4	4.5	40
1N3666 ✓	80	1.0	200	10	20	300
1N3773	25	0.5	15	4	3	40

Average power dissipation = 80 mW

Operating temperature = -65°C to 85°C

* For matched pairs, use a 2- prefix. Pairs are grouped in 10 millivolt V_F cells, measured at 1 mA I_F .

✓ Mil-Approved Devices, See Page 5 for Level of Qual



The germanium diodes listed here are BKC's most popular parts. However, we have the capability to make many other germanium diodes with minimum orders. If you are interested in a part not listed here, please consult the factory for availability.